



# SERVICE MANUAL

UHF REPEATER

## **ID-RP4010V**

---

---

---

---

---

S-15802XZ-C1  
September 2021

Icom Inc.

---

---

## INTRODUCTION

---

This service manual describes the latest technical information for the following version of the ID-RP4010V UHF REPEATER at the time of publication.

MODEL	VERSION	VERSION NUMBER	FREQUENCY RANGE (MHz)	MAXIMUM OUTPUT POWER
ID-RP4010V	EUR	#21	430 ~ 440	25 W
	USA	#31	440 ~ 450	

To upgrade quality, any electrical or mechanical parts and internal circuits are subject to change without notice or obligation.

---

## SERVICE CAUTION

---

**NEVER** connect the repeater to an AC outlet or to a DC power supply that outputs more than the specified voltage. This will ruin the repeater.

**DO NOT** expose the repeater to rain, snow or liquids.

**DO NOT** reverse the polarity of the DC power cable when directly connecting to the repeater.

**DO NOT** apply an RF signal of more than 20 dBm (100 mW) to the RX antenna connector. This could damage the repeater's front-end.



---

## ORDERING PARTS

---

Be sure to include the following four points when ordering replacement parts:

1. 10-digit Icom part number
2. Component name
3. Equipment model name and unit name
4. Quantity required

### <ORDER EXAMPLE>

2710001060 FD128025HB ID-RP4010V CHASSIS 5 pieces  
2710000870 0402B104K160 ID-RP4010V MAIN 1 piece

---

## REPAIR NOTES

---

1. Make sure that the problem is internal before disassembling the repeater.
2. **DO NOT** open the repeater until the repeater is disconnected from its power source.
3. **DO NOT** short any circuits or electronic parts. An insulated tuning tool **MUST** be used for all adjustments.
4. **DO NOT** keep power ON for a long time when the repeater is defective.
5. **NEVER** directly transmit power into any test equipment such as Standard Signal Generator or a Sweep Generator, otherwise the RF power may damage them.
6. **ALWAYS** connect a 40 dB to 50 dB attenuator between the repeater and such test equipment.
7. **READ** the instructions of the test equipment thoroughly before connecting it to the repeater.

---

## TABLE OF CONTENTS

---

<b>SECTION 1</b>	<b>SPECIFICATIONS</b>	
<b>SECTION 2</b>	<b>INSIDE VIEWS</b>	
<b>SECTION 3</b>	<b>DISASSEMBLY INSTRUCTION</b>	
<b>SECTION 4</b>	<b>OPTIONAL PRODUCT INSTALLATION</b>	
4-1	INSTALLING THE LTE MODULE (UX-262).....	4-1
4-2	CONNECTING A GATEWAY SERVER .....	4-7
4-3	REPEATER SETTINGS .....	4-8
<b>SECTION 5</b>	<b>INTERFACE INFORMATION</b>	
<b>SECTION 6</b>	<b>ADJUSTMENT PROCEDURE</b>	
6-1	PREPARATION .....	6-1
6-2	TRANSMIT ADJUSTMENTS AND VERIFICATIONS .....	6-6
6-3	FREQUENCY VERIFICATION .....	6-7
6-4	RECEIVE VERIFICATIONS .....	6-7
6-5	RESTARTING THE REPEATER .....	6-7
<b>SECTION 7</b>	<b>PARTS LIST</b>	
<b>SECTION 8</b>	<b>MECHANICAL PARTS</b>	
<b>SECTION 9</b>	<b>BOARD LAYOUTS</b>	
<b>SECTION 10</b>	<b>WIRING DIAGRAM</b>	
<b>SECTION 11</b>	<b>BLOCK DIAGRAM</b>	
<b>SECTION 12</b>	<b>VOLTAGE DIAGRAM</b>	

### ■ GENERAL

• Operating frequency range:	USA	440 ~ 450 MHz
	EUR	430 ~ 440 MHz
• Type of emission:	ID	F2A
	FM	F3E
	DV	F7W
• Antenna impedance:		50 $\Omega$ nominal
• Antenna connector type:		N-Type
• Operating temperature range:		-10°C ~ +50°C, 14°F ~ +122°F
• Frequency stability:		$\pm 0.5$ ppm
• Frequency resolution:		1 Hz
• Transfer rate:		4.8 kbps (DV mode)
• Current drain:		
	TX High	7.0 A or less
	TX Low	3.0 A or less
	Maximum AF output	1.8 A or less
• Power supply voltage:		13.8 V DC $\pm 15\%$ (negative ground)
• Dimensions:		482 (W) $\times$ 88 (H) $\times$ 275 (D) mm,
(Projections not included)		19 (W) $\times$ 3.5 (H) $\times$ 10.8 (D) inches
• Weight (Approximate):		6 kg, 13.2 lbs

### ■ TRANSMITTER

• Output power:		25 W (High), 2.5 W (Low)
• Modulation system:	FM	Digital reactance modulation
	DV	Digital GMSK modulation
• Maximum frequency deviation:	FM narrow	$\pm 2.5$ kHz
	FM wide	$\pm 5.0$ kHz
• Occupied bandwidth:		6 kHz or less (DV)
• Spurious emissions:	Harmonics	-61.8 dB or less
	Out-of-band emission	-60 dB or less

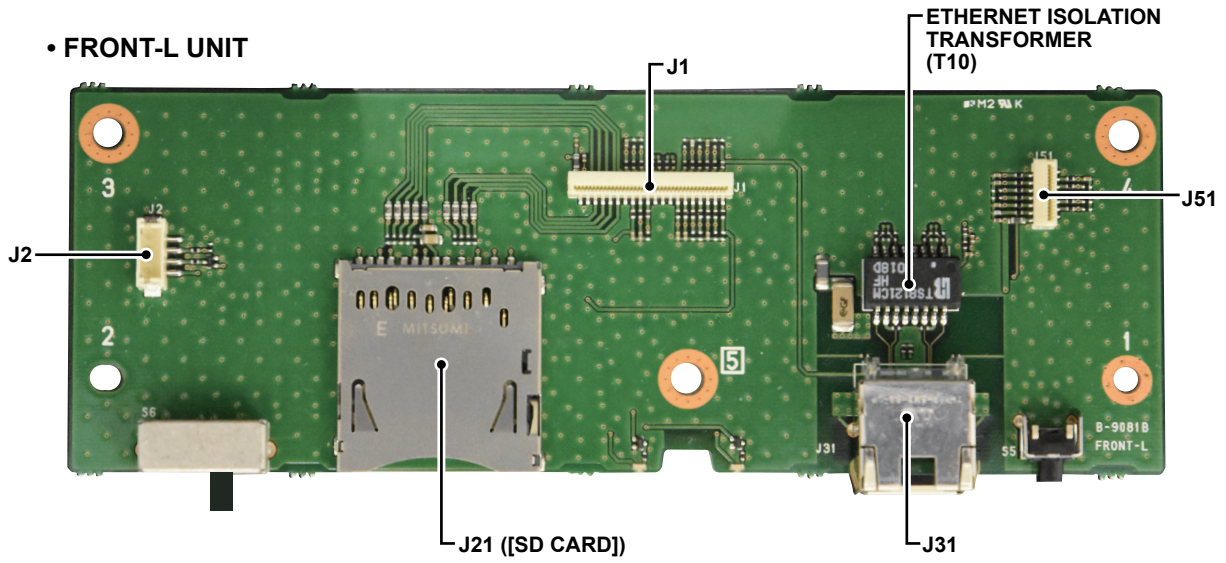
### ■ RECEIVER

• Receive system:		RF direct sampling
• Sensitivity:	FM	-15 dB $\mu$ V (0.18 $\mu$ V) PD or less (At 12 dB SINAD)
	DV	-13 dB $\mu$ V (0.22 $\mu$ V) PD or less (At 1% BER (PN9))
• Selectivity:	FM (BW: 15 kHz)	12.0 kHz/-6 dB or more, 20 kHz or less/-60 dB
	DV	-50 dB or less (Channel spacing=12.5 kHz)
• Intermodulation:		-60 dB or less
• Receive spurious:		2 nW (-57 dBm) or less
• Spurious & image rejection:		55 dB or more
• Audio output power:		2.0 W or more (1 kHz, 10% distortion into an 8 $\Omega$ load)
• AF output impedance:		8 $\Omega$

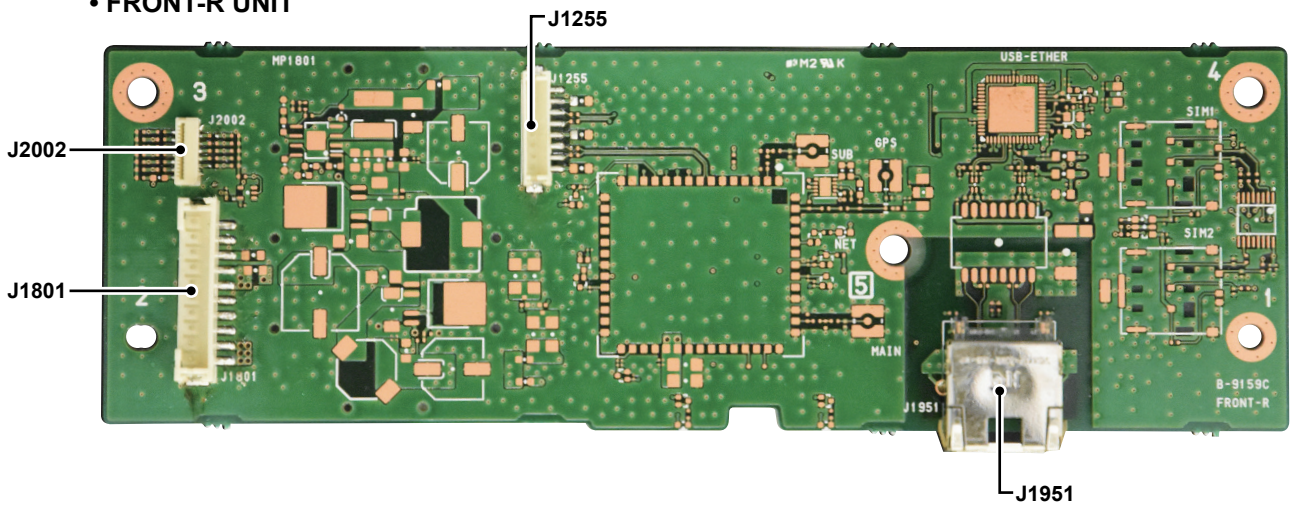
① Measurements made without an antenna.

① All stated specifications are subject to change without notice or obligation.

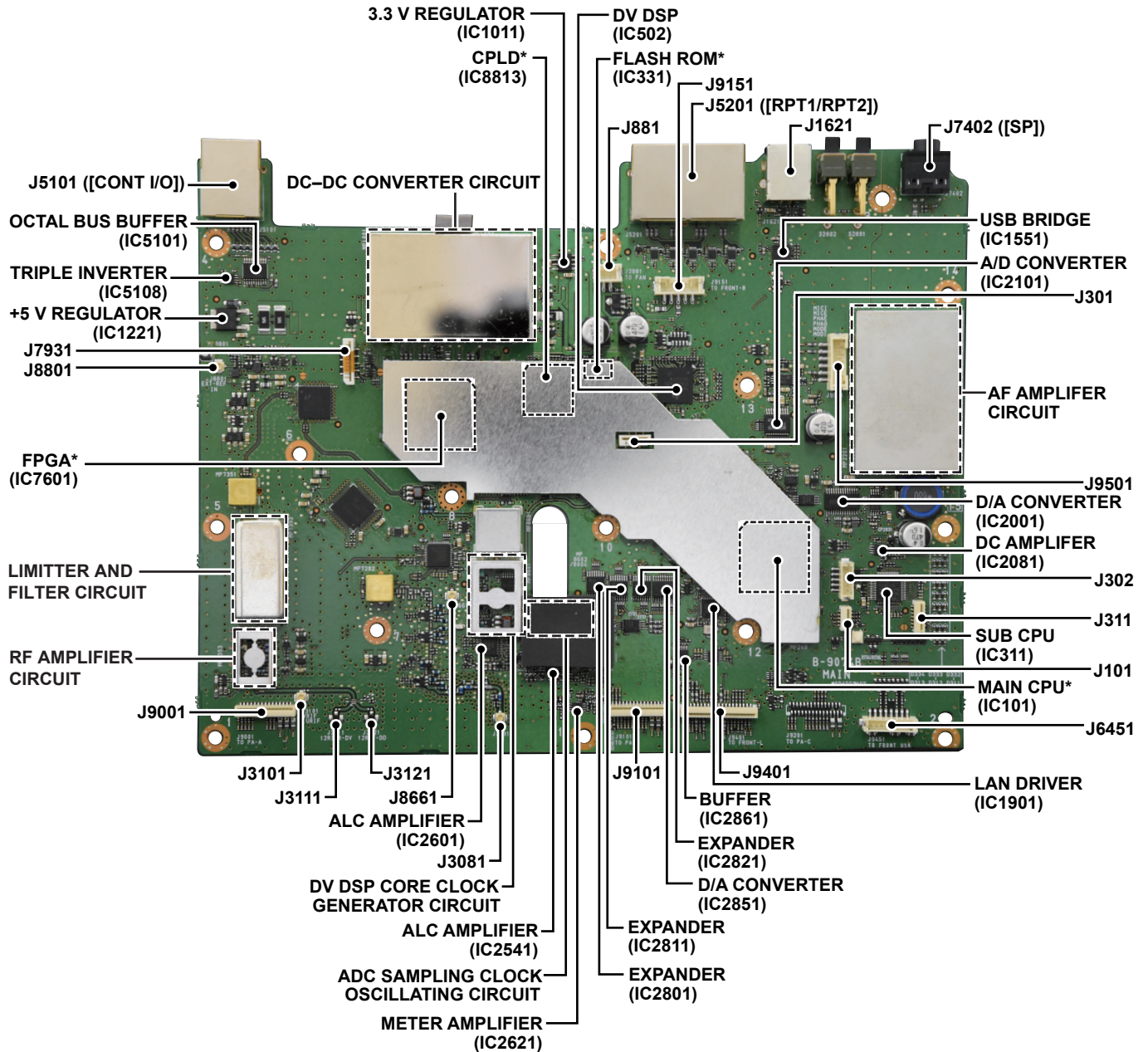
• FRONT-L UNIT



• FRONT-R UNIT

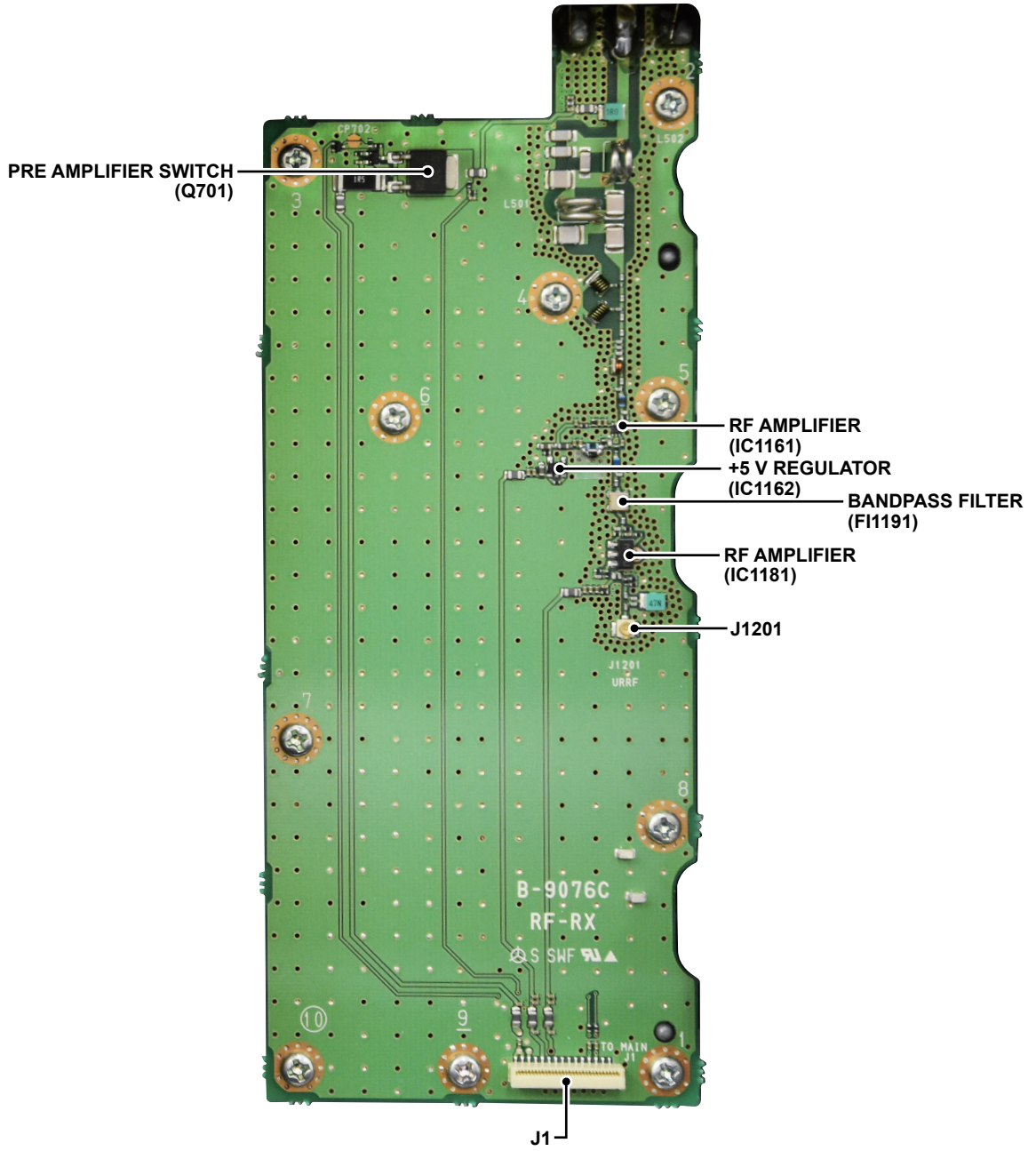


• MAIN UNIT

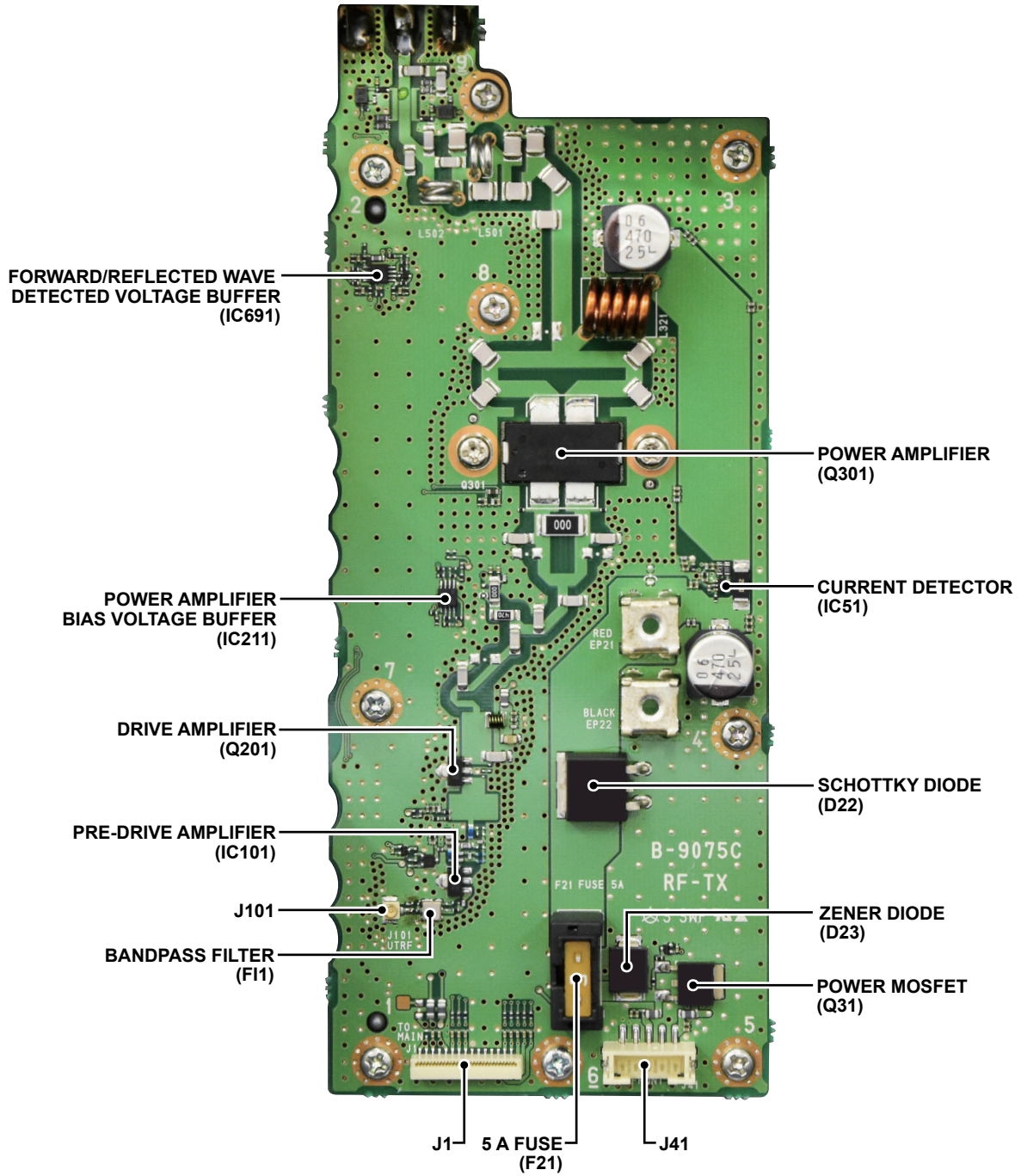


\*Mounted under the shield cover

• RF-RX UNIT



• RF-TX UNIT

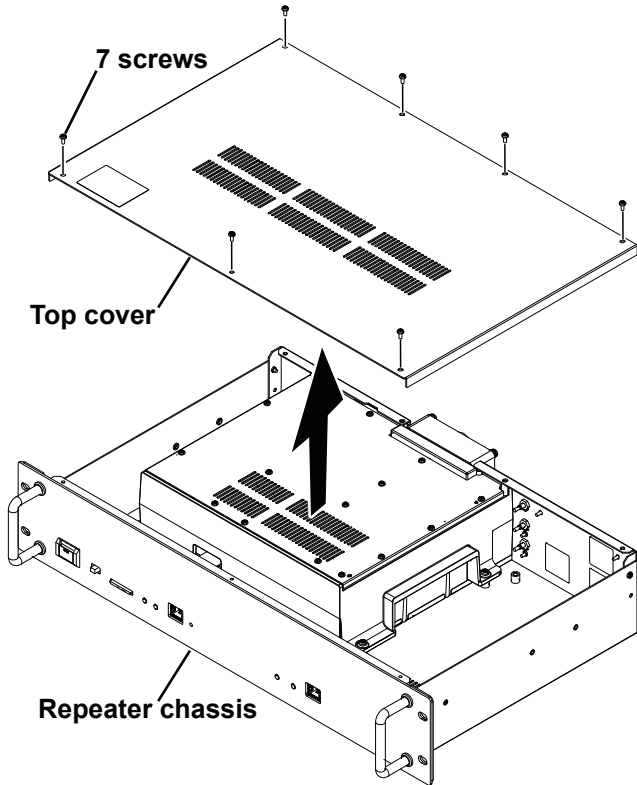




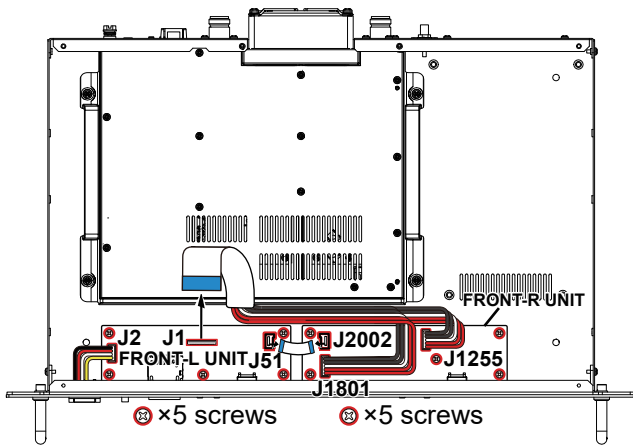
# SECTION 3 DISASSEMBLY INSTRUCTION

## 1. Removing the FRONT-R and FRONT-L UNITS

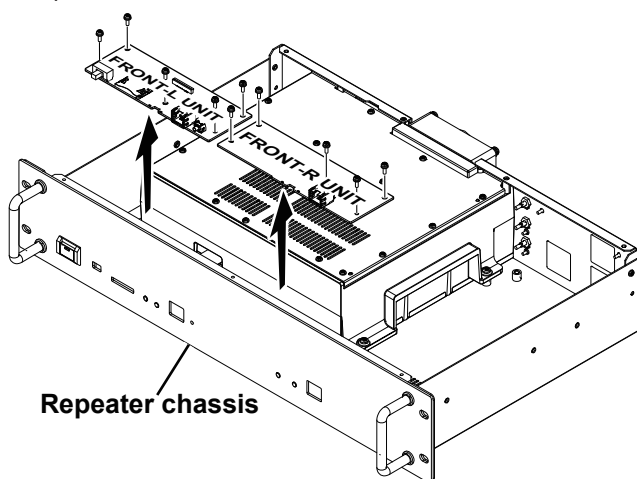
1) Remove the 7 screws from the top cover, then remove the top cover from the repeater chassis.



2) Remove the 10 screws and the 5 cables from the FRONT-R and FRONT-L UNITS.

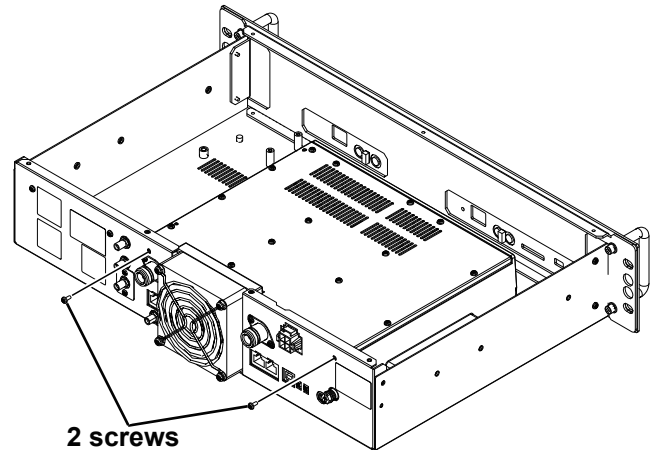


3) Remove the FRONT-R and FRONT-L UNITS from the repeater chassis.

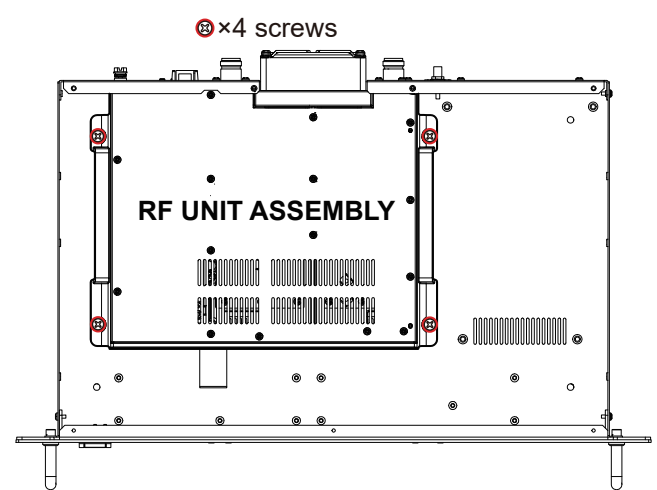


## 2. Removing the RF UNIT ASSEMBLY

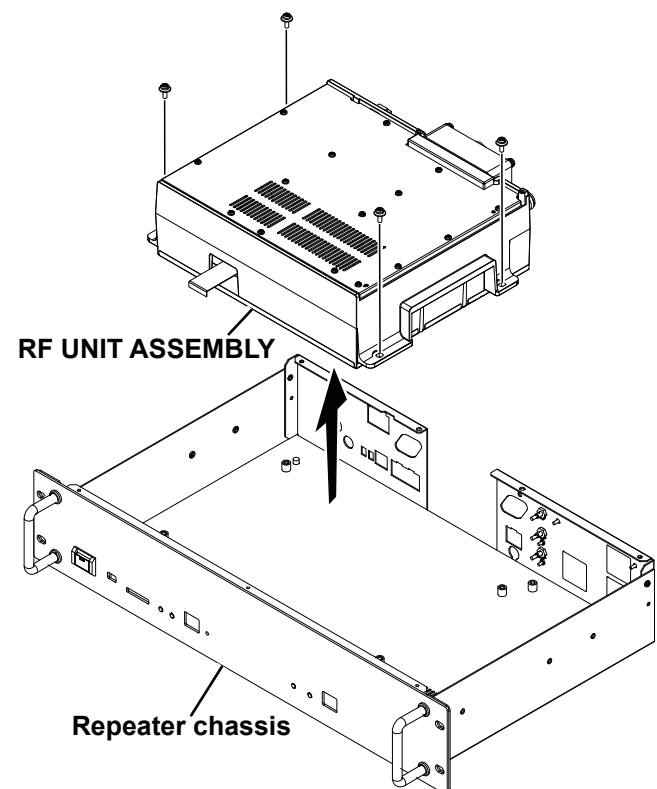
1) Remove the 2 screws from the rear panel of the repeater chassis.



2) Remove the 4 screws from the RF UNIT ASSEMBLY.

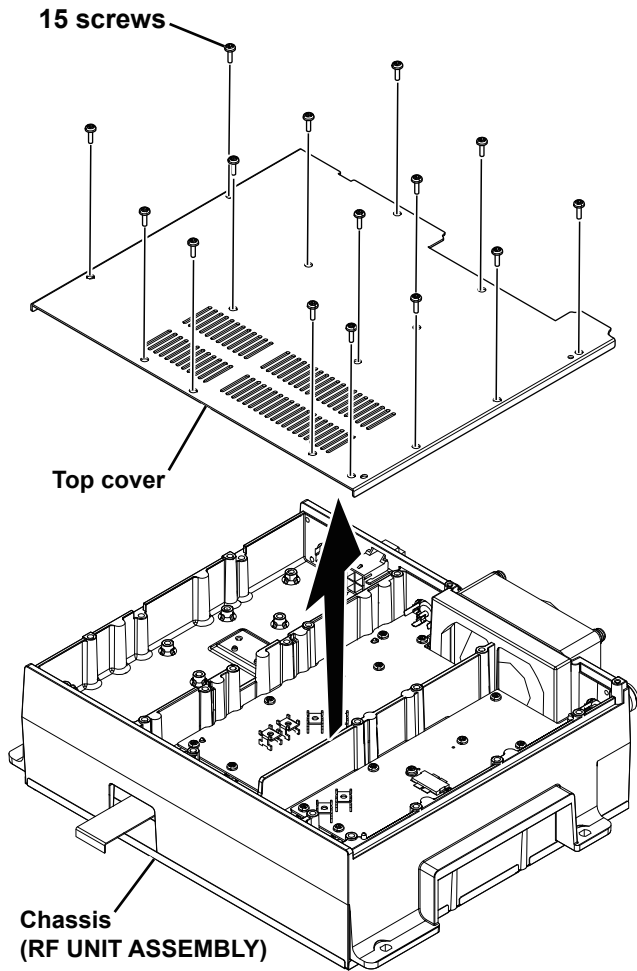


3) Remove the RF UNIT ASSEMBLY from the repeater chassis.

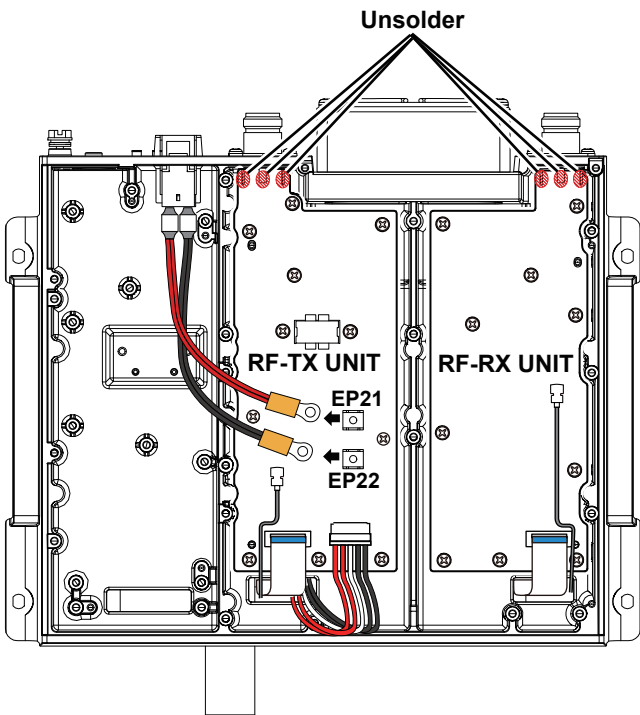


### 3. Removing the RF-RX and RF-TX UNITS

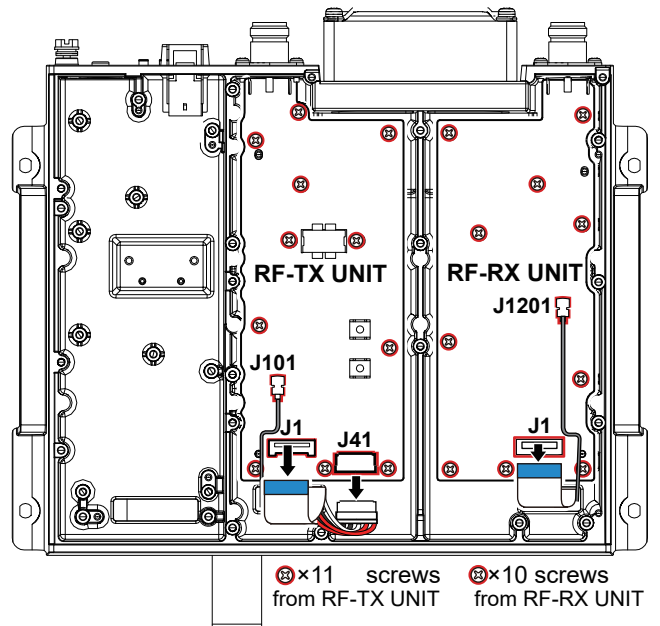
1) Remove the 15 screws from the top cover, then remove it.



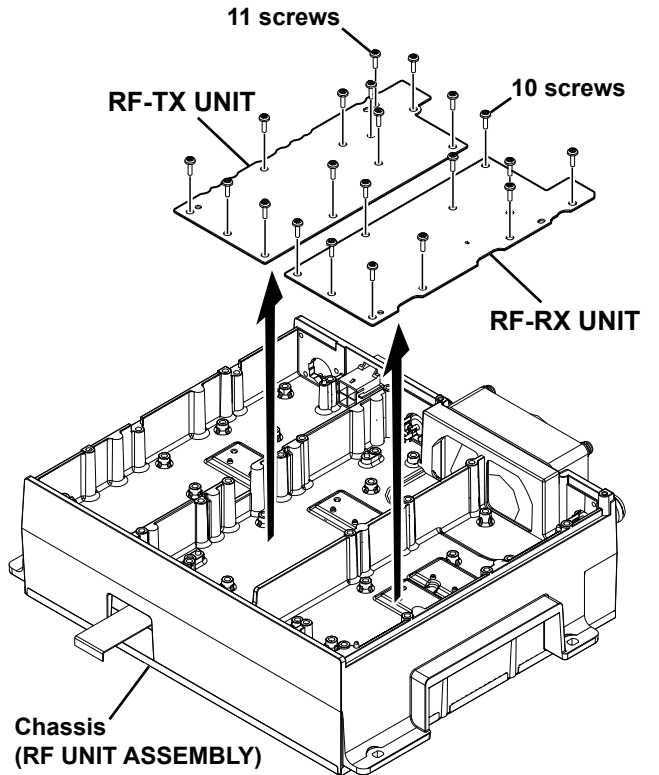
2) Remove the DC cables from the RF-TX UNIT, and unsolder the antenna connectors.



3) Remove the 21 screws and disconnect the cables from the RF-RX and RF-TX UNITS.



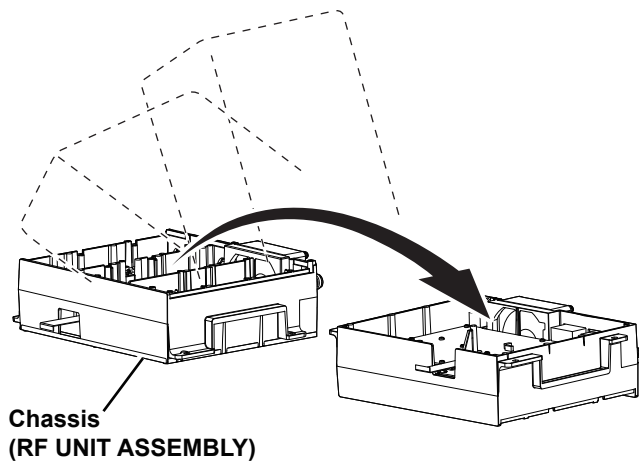
4) Remove the RF-RX and RF-TX UNITS from the chassis.



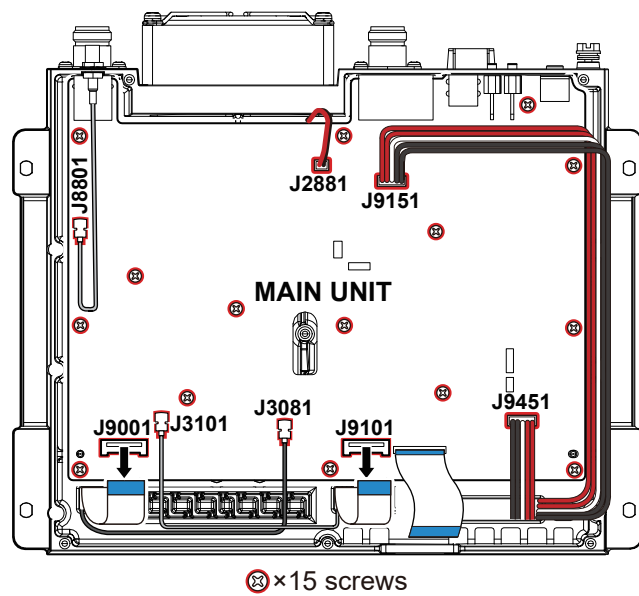
(Continued on the right above)

#### 4. Removing the MAIN UNIT

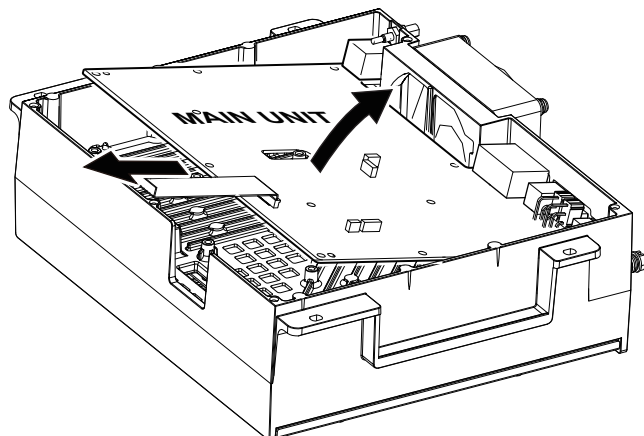
1) Turn the RF UNIT ASSEMBLY upside down.



2) Remove the 15 screws, and disconnect the 8 cables from the MAIN UNIT.



3) Remove the MAIN UNIT from the chassis in the direction of the arrow.

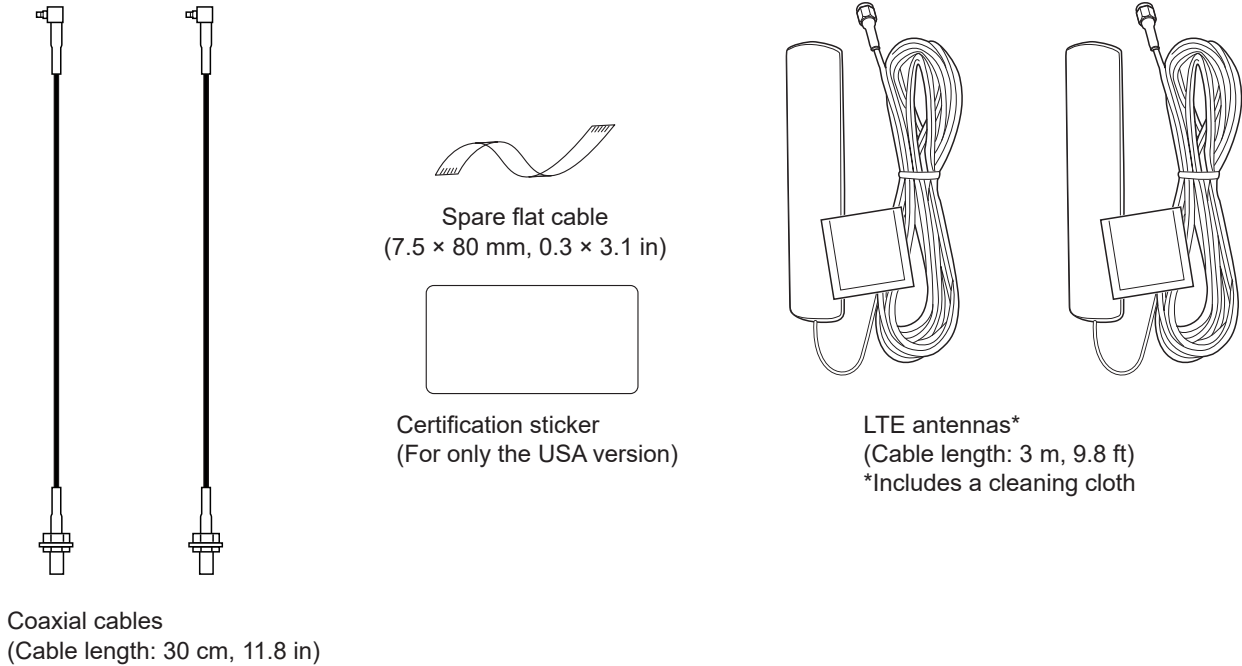


## SECTION 4 OPTIONAL PRODUCT INSTALLATION

**NOTE:** For the latest information, refer to the UX-262 SETTING GUIDE that is available from the Extranet.

### 4-1 INSTALLING THE LTE MODULE (UX-262)

#### ■ SUPPLIED ACCESSORIES



**NOTE:** Place the repeater within reach of the antenna cables to paste the LTE antennas on a window glass.

#### ◆ About the certification sticker:

For the USA version, paste the supplied certification sticker on the repeater case to show that the repeater is certified.

**CAUTION: DO NOT** paste the sticker where it blocks vents on the case. This may damage the repeater.

#### ◆ Preparation

Carefully check your repeater settings before installing the LTE unit.

#### The system with a single repeater:

Confirm the repeater is connected to a Gateway Server.

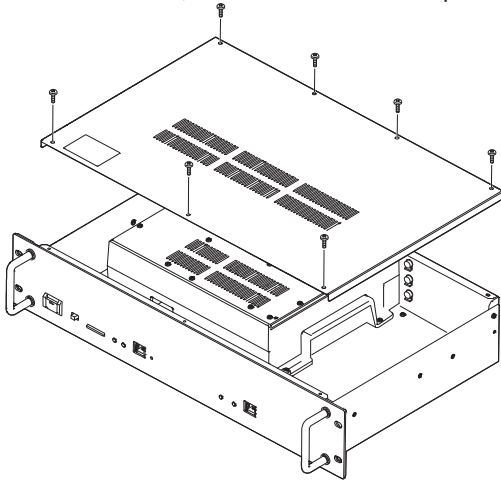
#### The system with multiple repeaters:

Install the unit to a repeater that is connected to a Gateway Server.

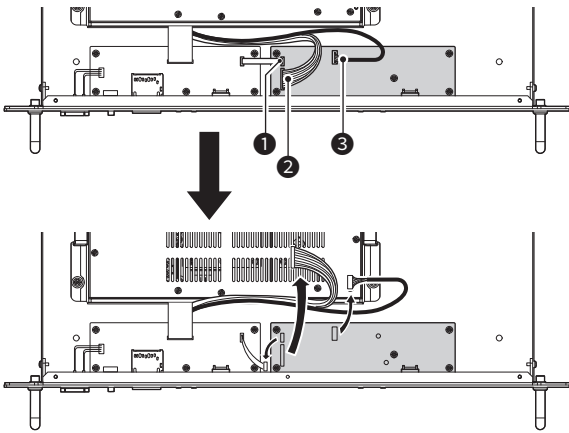
Connect the gateway server to the ID-RP1200VD in DD mode if it is included in your system. The system will not work if it is connected to other repeaters.

## ■ INSTALLING THE UNIT

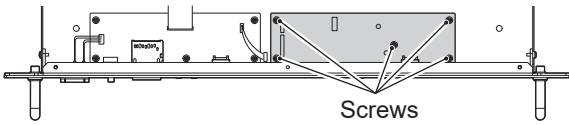
1) Remove the screws, and then remove the top cover.



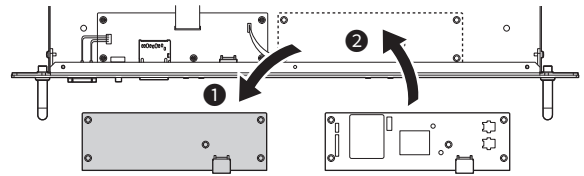
2) Carefully remove three cables (①②③), as shown below.



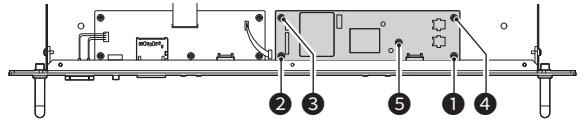
3) Remove the five screws.



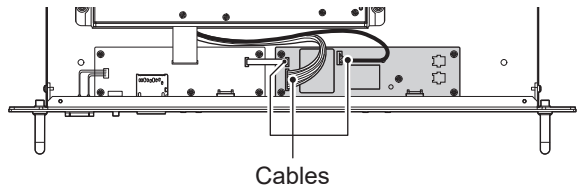
4) Remove the PCB (FRONT-R UNIT: ①), and then attach the unit (②).



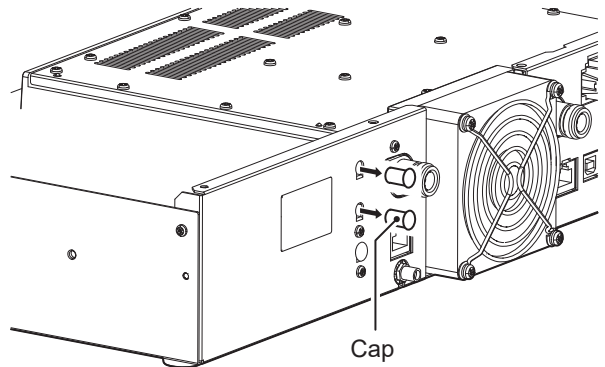
5) Secure the unit using the screws removed in step 3.  
① Firmly tighten the screws in the order shown below.



6) Reattach the cables removed in step 2.



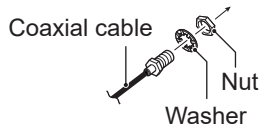
7) Remove the two caps on the rear panel, as shown below.



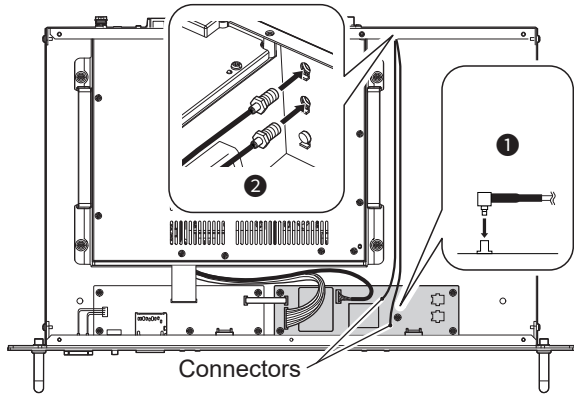
(Continued on the next page)

## ■ INSTALLING THE UNIT (CONTINUED)

- 8) Remove the nuts and washers from the straight connectors on the supplied coaxial cables.

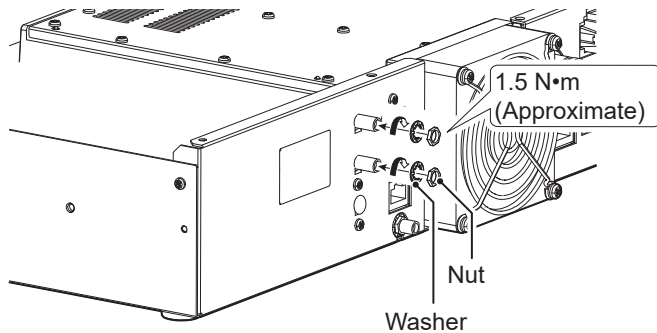


- 9) Attach one end of the cables to the connectors on the unit (1), and then attach the other ends through the holes in the repeater's rear panel (2) where the caps were located.



- 10) Secure the coaxial cables to the rear panel using the nuts and washers removed in step 8.

① Torque the nuts to approximately 1.5 N•m.



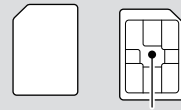
## ■ INSTALLING THE SIM CARD

Install valid SIM cards, as shown below.

### Caution for handling the nanoSIM cards:

- To avoid damage from static discharge, touch a metal object such as a doorknob or a metal window sash to remove any static electricity that may be accumulated in your body before handling the nanoSIM cards.
- Never directly touch the IC part (metal sections) of the nanoSIM, or the unit's contacts connected to the nanoSIM card, with your fingers.
- Observe the proper direction when installing the card.
- Always carefully install and remove the card.
- Do not apply too much force to the slot cover when removing or replacing a nanoSIM card. If it is bent or damaged, it will not be usable.

① Install the nanoSIM card to the SIM1 slot when using the unit with a single nanoSIM card.

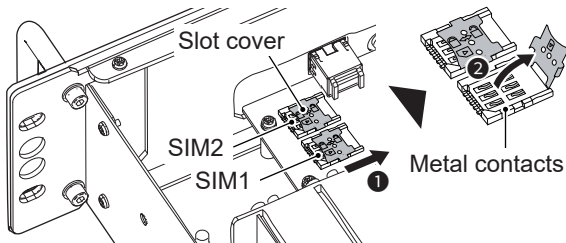


IC (Metal sections)

1) Carefully slide the slot cover in the direction of the arrow (①), and then open it (②).

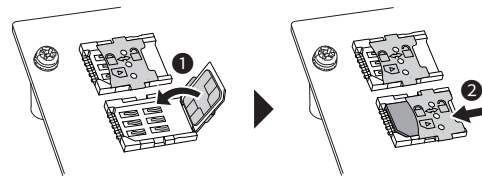
① Do not apply too much force to the slot cover.

② Do not touch the metal contacts of the slot with your finger.



3) Close the slot cover (①), and then slide it in the direction of the arrow until it locks (②).

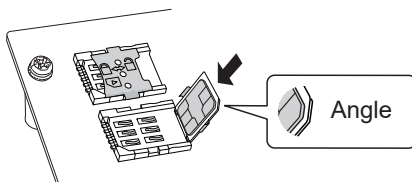
4) Do not apply too much force to the slot cover.



5) If you install a second nanoSIM card, repeat steps 1 ~ 3.


6) Reattach the top cover that you removed on page 2.

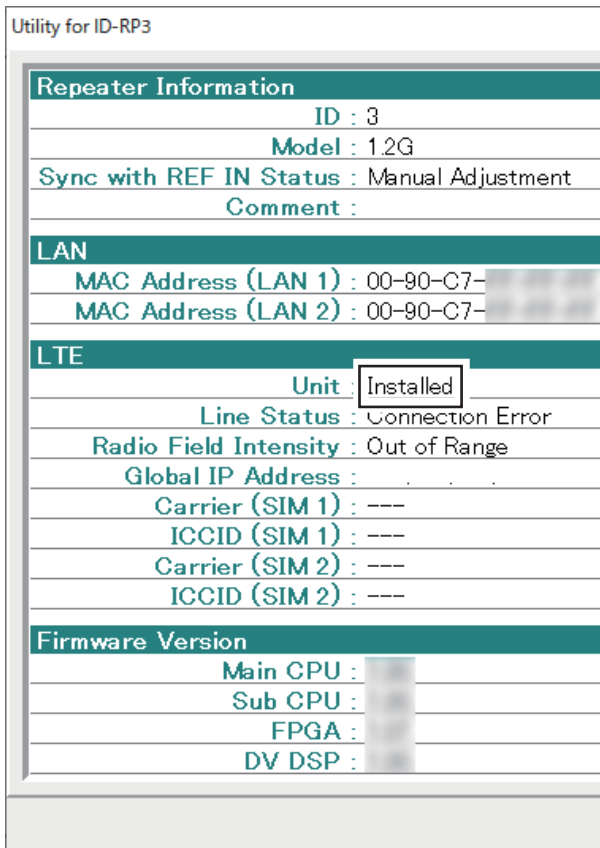
2) Observe the angled corner of the nanoSIM card and install the card as shown below.



## ■ VERIFICATION

Use the Utility for ID-RP3 to verify that the repeater recognizes the installed unit.

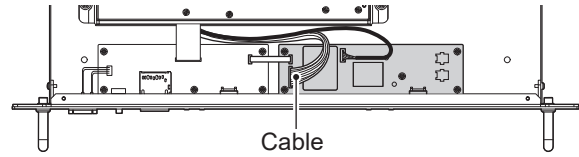
- 1) Connect the PC to the repeater with a unit
  - ① See the instruction manual included with the repeater for details of USB driver settings, utility installation, and connection instructions.
- 2) Turn ON the repeater.
- 3) Open the Utility.
- 4) Select the COM port that the USB cable is connected to.
- 5) Click “- ① “Connection Error” is displayed in “Line Status” until you complete the LTE settings.



## ◇ Troubleshooting

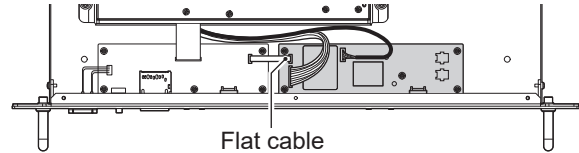
### The repeater does not turn ON:

Confirm the cable shown below is properly attached.



### “None” is displayed in “Unit”:

Confirm the flat cable shown below is properly attached.



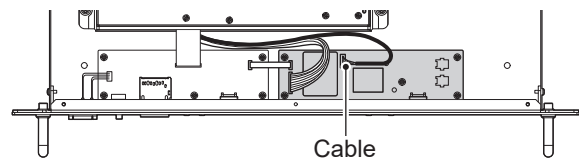
### “Connection Error” is displayed in “Line Status”:

Check after you complete the LTE settings described in section 3.

If the problem is not solved, confirm the cable shown below is properly attached.

① You must complete the LTE settings before checking “Line Status” and “Radio Field Intensity.”

① You can also check the status on the repeater’s front panel. See the instruction manual included with the repeater for details.

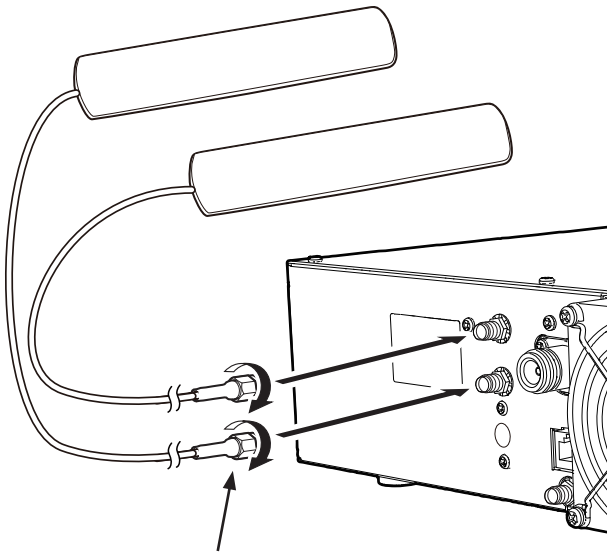




## ■ PLACING ANTENNAS

### ◇ Attaching antennas

Attach the supplied antennas as shown below.

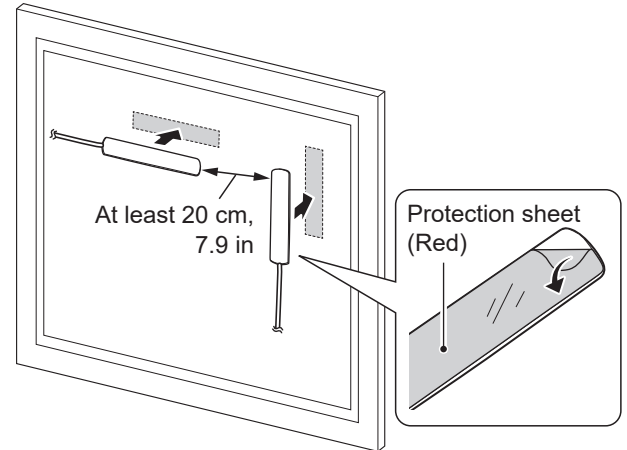


Firmly secure by turning the nut in the direction of the arrow.

### ◇ Securing antennas

Remove the protection sheet on the antenna surface, and then paste antennas on the window glass.

- ① Clean the window glass using the supplied cleaning cloth before pasting.
- ① Place the two antennas at a distance of at least 20 cm, 7.9 in apart.
- ① Relocate the antennas if the repeater has a poor connection.



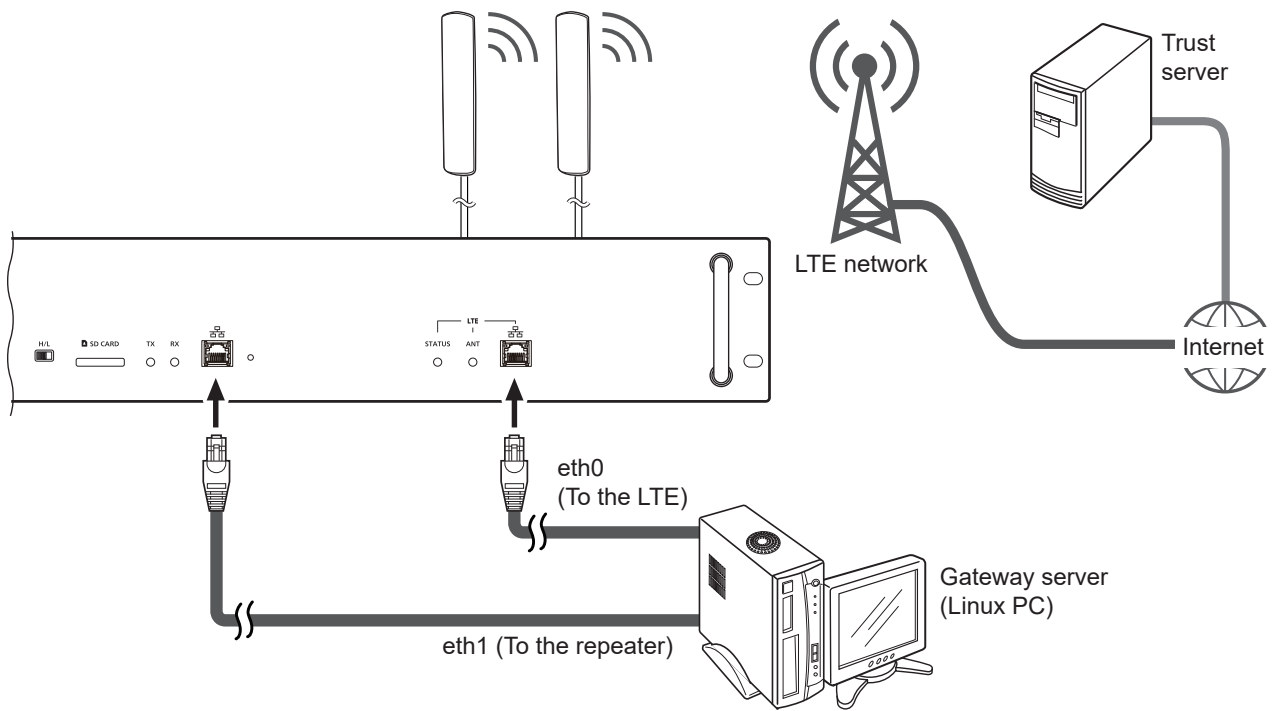
### CAUTION:

- **DO NOT** use other than the supplied antennas.
- **DO NOT** forcibly bend or pull the coaxial cables. This may damage the cables.
- **DO NOT** step on the coaxial cables, place heavy objects on them, or pinch them. This may damage the cables.
- **DO NOT** touch the coaxial cables with wet hands. This may damage the cables.
- **DO NOT** apply too much force to the coaxial cable when removing it. This may damage the cables.

## 4-2 CONNECTING A GATEWAY SERVER

### ■ USING A GATEWAY SERVER

Connect a Gateway server to the repeater to use an LTE network.

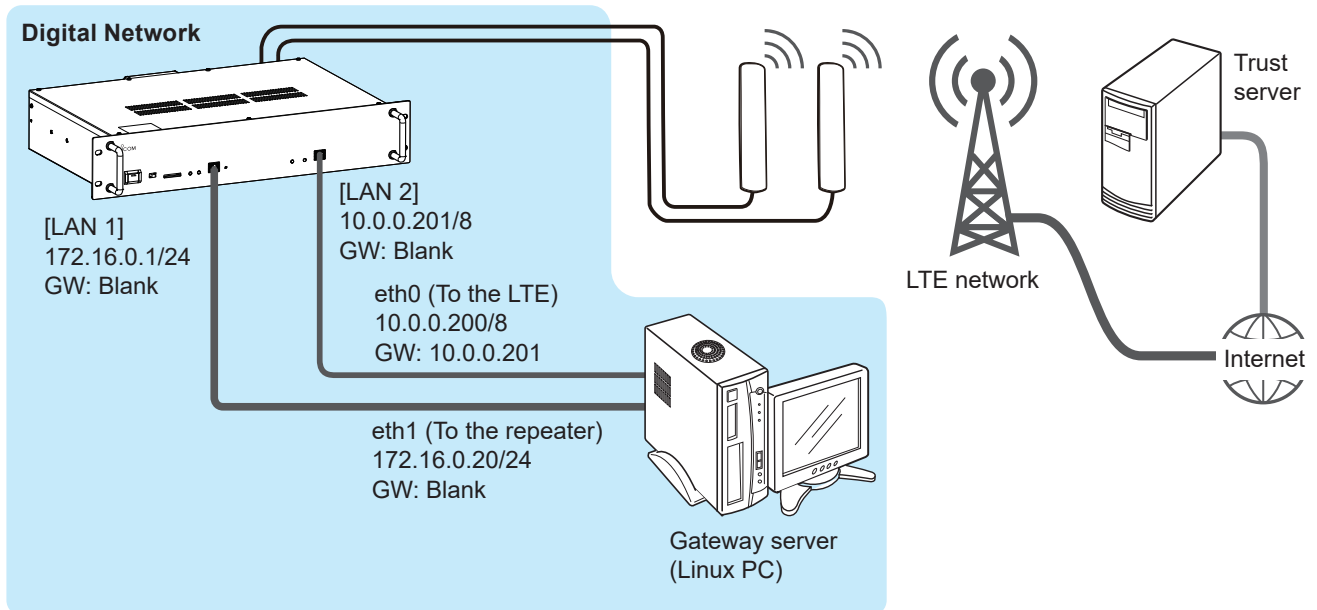


### 4-3 REPEATER SETTINGS

This section describes about the required IP address and LTE settings in the Utility for ID-RP3.

① The IP addresses shown in the figure are examples. Set appropriate IP addresses according to your environment.

#### ■ USING A GATEWAY SERVER



## ■ UTILITY FOR ID-RP3 SETTINGS (COMMON)

① If your repeater is already in operation online, skip this topic.

The settings shown below are the minimum required to use the Digital Repeater function. See the Utility for ID-RP3 HELP for more details for other setting items.

### ◇ RX Frequency/TX Frequency

Enter the repeater's receive/transmission frequency.

- ① "X" is displayed when frequencies are set to default.
- ① Confirm the entered frequencies are assigned to your repeater.

Common Setting	
Frequency	
RX Frequency	X
TX Frequency	X
TX/RX Frequency (DD)	—

### ◇ Mode

Select the repeater's operating mode.

- ① Not selectable when configuring the DD mode on the ID-RP1200VD.

Common Setting	
Mode	
Mode	DV

### ◇ Call Sign

Enter the repeater call sign assigned to it.

- ① An Emergency Stop command provided through the LAN is usable by setting the call sign.

Common Setting	
Repeater Call Sign	
Call Sign	

### ◇ Squelch Level

Enter the squelch level at which the squelch just opens, and the repeater starts operating.

Common Setting	
Squelch	
Squelch Level	77 (30%)

### ◇ Selecting the output power

Select the output power using the [H/L] switch on the repeater's front panel.

## ■ UTILITY FOR ID-RP3 SETTINGS (GATEWAY SETTINGS)

① If your repeater is already in operation online, skip this topic.

Settings shown below are required if operating the repeater as a Gateway.

### ◇ Using a Gateway server

- 1) Select "Use Gateway Server" in "Gateway" (①).  
 ① The option "Use Simple gateway" is usable only in Japan.
- 2) Enter the IP address of the port to the repeater (②).  
 ① Enter the IP address assigned by your environment.
- 3) Enter the UDP port number (③).  
 ① Confirm the UDP port number is not a duplicate if using the Monitor function on the same IP address.

Digital Repeater		
Gateway		
Gateway	Use Gateway Server	①
Gateway Server		
IP Address	172. 16. 0. 20	②
UDP Port	20000	③
Monitor		
Monitor	Not Used	
IP Address	172. 16. 0. 20	
UDP Port	21000	

#### TIP: Using the Gateway function with multiple repeaters

Only one repeater is settable as a Gateway.

① "✘" is displayed if multiple repeaters are set as Gateways.

If the ID-RP1200VD in DD mode is included, set it as a Gateway.

① "✘" is displayed if another repeater is set as a Gateway

Digital Repeater		
UHF (ID=2)   1.2G (ID=3)		
Gateway	Not Used	, Use Gateway Server

## ■ UTILITY FOR ID-RP3 SETTINGS (NETWORK SETTINGS)

### ◇ Using a Gateway server

#### Using the DHCP Client function:

Automatically gets the repeater IP address and Subnet mask from the connected router.

- Select "ON" in "DHCP."

Network	
LAN 1	
DHCP	ON
IP Address	172.16.0.1
Subnet Mask	255.255.255.0 (24bit)
Default Gateway	. . .
Primary DNS Server	. . .
Secondary DNS Server	. . .

### ◇ Time Settings

Turn the Network Time Protocol (NTP) function ON or OFF. If the NTP function is "ON," the repeater gets the exact time through the network.

- ① The setting is required for giving a file-generating date when saving a setting file (icf).
- ① Use the default NTP server address if possible.

Network	
Time Set	
NTP Function	ON
NTP Server Address	time.nist.gov
UTC Offset	0:00

#### Manually entering the repeater IP address and Subnet mask:

- 1) Select "OFF" in "DHCP" (①).
- 2) Enter the fixed IP address and Subnet Mask (② ③).
  - ① If connecting to a router that has the DHCP Server function enabled, set the IP address that is outside the range of the automatically assigned one.
  - ① If you connect to other networks through the repeater, enter the same IP address as the target network.
- 3) Confirm nothing is entered in "Default Gateway" (④).

Network	
LAN 1	
DHCP	OFF ①
IP Address	172.16.0.1 ②
Subnet Mask	255.255.255.0 (24bit) ③
Default Gateway	. . . ④
Primary DNS Server	. . .
Secondary DNS Server	. . .

## ■ LTE SETTINGS

### ◇ Using a Gateway server

- 1) Select "OFF" in "DHCP" (❶).
- 2) Enter the fixed IP address and Subnet Mask (❷ ❸).

LTE	
	UHF (ID=2)
LAN 2	
DHCP	OFF ❶
IP Address	10. 0. 0.201 ❷
Subnet Mask	255. 0. 0. 0 ( 8bit) ❸
Default Gateway	. . .

### ◇ LTE settings

- Select "ON" in "LTE Function" (❶), and then select a SIM card slot with a valid SIM card in it (❷).
- ❶ If "ON" is selected in "SIM Auto Switch," the repeater switches to the other SIM card slot if the selected SIM card slot goes offline for a certain period of time.

LTE	
LTE	
LTE Function	ON ❶
SIM Select	SIM1 ❷
SIM Auto Switch	OFF
Primary Recovery Time	OFF

### ◇ SIM card settings

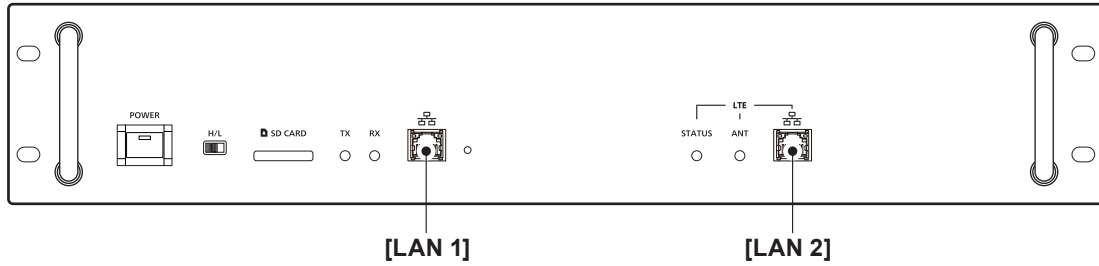
Enter the APN, User Name, Password, and Authentication Type provided by the mobile carrier.

- ❶ If "ON" is selected in "SIM Auto Switch," enter the information of SIM 2 as well.
- ❶ Confirm the settings completed adequately by checking the "Information" in the <Program> menu.  
You can also check the status on the repeater's front panel. See the instruction manual included with the repeater for details.

SIM 1	
APN	
User Name	
Password	
Authentication Type	OFF
SIM 2	
APN	
User Name	
Password	
Authentication Type	OFF

# SECTION 5 INTERFACE INFORMATION

## • FRONT PANEL



### [LAN 1]

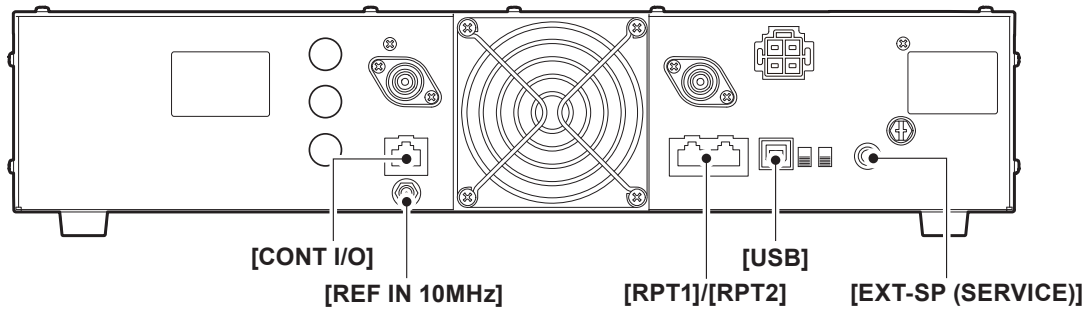
[LAN 1]	Indication	Description	Specification
	① LINK/ACT	<ul style="list-style-type: none"> <li>Lights when a cable is connected.</li> <li>Does not light when a cable is not connected.</li> <li>Blinks while communicating.</li> </ul>	Connects to a Gateway server when operating in the Gateway repeater mode.
	② SPEED	<ul style="list-style-type: none"> <li>Lights while communicating in 100BASE-TX.</li> <li>Does not light while communicating.</li> <li>Blinks while communicating in 10BASE-T, or not connected.</li> </ul>	

### [LAN 2]

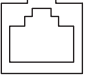
[LAN 2]	Indication	Description	Specification
	① LINK/ACT	<ul style="list-style-type: none"> <li>Lights when a cable is connected.</li> <li>Does not light when a cable is not connected.</li> <li>Blinks while communicating.</li> </ul>	Connects to a Gateway server when operating in the LTE mode. ① An optional LTE unit is required.
	② SPEED	<ul style="list-style-type: none"> <li>Lights while communicating in 100BASE-TX.</li> <li>Does not light while communicating.</li> <li>Blinks while communicating in 10BASE-T, or not connected.</li> </ul>	



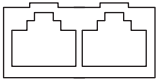
• REAR PANEL




**[CONT I/O]**

[CONT I/O]	Description
	Connects to the LAN port of the ID-RP2C using a supplied control cable, when the repeater system is operating as a gateway or assist repeater with the ID-RP2C. ① Set [CONT I/O RPT] on the rear panel to "CONT I/O," when using this port.


**[RPT1]/[RPT2]**

[RPT1]/[RPT2]	Description
	Connects to other repeaters using the supplied control cable for data communications, when multiple repeaters are installed in the repeater system. ① Set [CONT I/O RPT] on the rear panel to "RPT," when using this port.

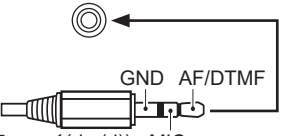
**[REF IN 10MHz]**

[REF IN 10MHz]	Description
 SMA connector	Inputs a 10 MHz signal as a reference frequency signal. <ul style="list-style-type: none"> <li>• Input frequency: 10 MHz</li> <li>• Impedance: 50 Ω (unbalanced)</li> <li>• Input level: -10 dBm (approximately)</li> </ul>

**[USB]**

[USB]	Description
	Connects to the PC with a supplied USB cable to set the details of the repeater, such as the callsign, frequencies, IP address, and any other functions using the utility software. <ul style="list-style-type: none"> <li>• Connector type: USB type B (1.1/2.0)</li> </ul>

**[EXT-SP (SERVICE)]**

[EXT-SP (SERVICE)]	Line Name	Description
 (3.5 mm, 1/8 in (d)) MIC Connects a 3.5 mm stereo plug	<b>AF/DTMF</b>	Received audio or DTMF tone signal output port. <ul style="list-style-type: none"> <li>• Output impedance: 4 ~ 8 Ω</li> <li>• Output level: 2 W or more at 10% distortion into an 8 Ω load.</li> </ul>
	<b>MIC</b>	Audio input port for adjustment. Connects to an audio generator. Refer to ADJUSTMENT PROCEDURE for details.

# SECTION 6 ADJUSTMENT PROCEDURE

## 6-1 PREPARATION

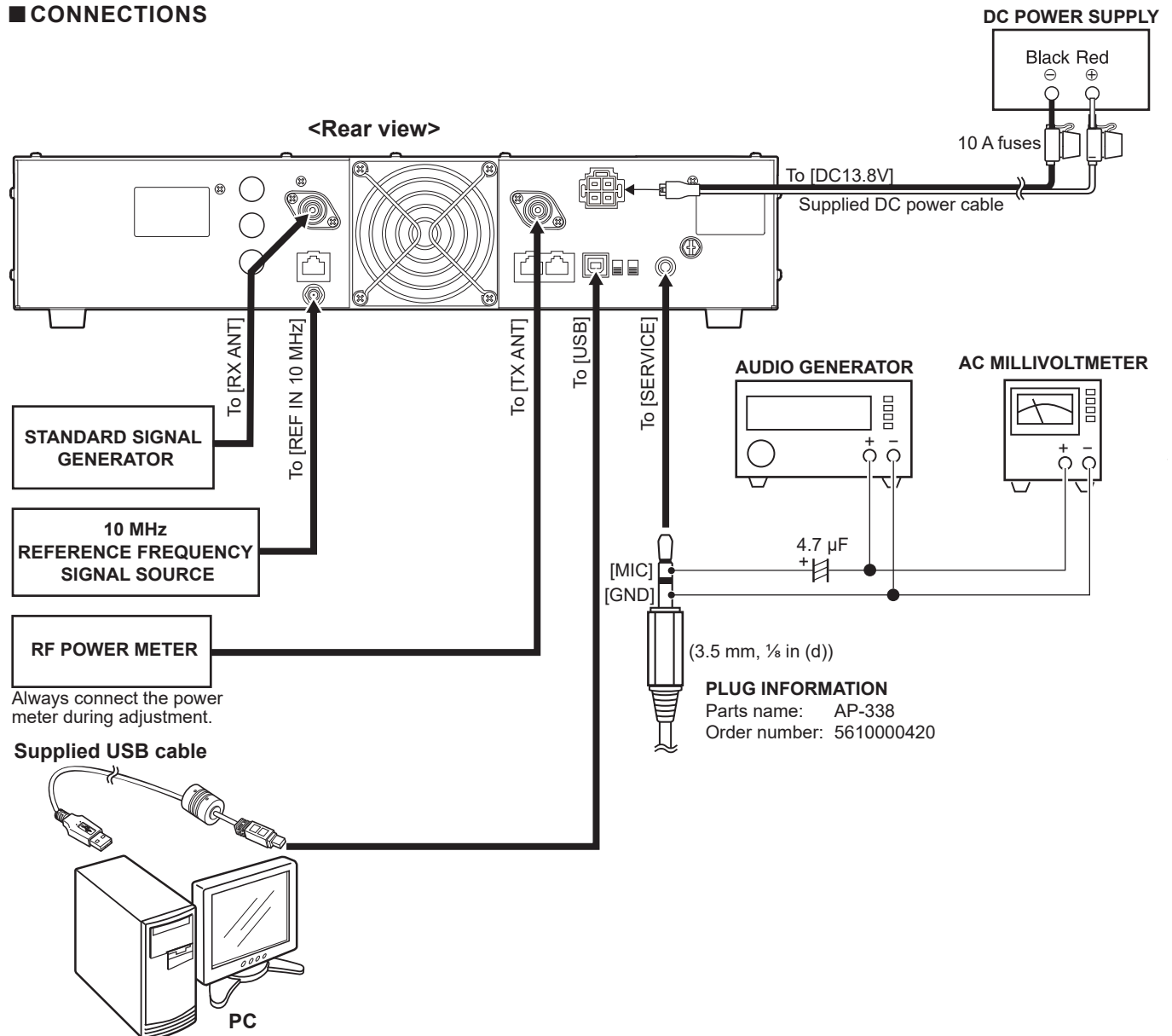
### ■ REQUIRED EQUIPMENT

EQUIPMENT	GRADE AND RANGE	EQUIPMENT	GRADE AND RANGE
Adjustment software	ID-RP3 ADJ	Programming cable	USB cable (Supplied with the repeater)
DC power supply	Output voltage: 13.8 V Current capacity: 10 A or more	Standard signal generator (SSG)	Frequency range: 0.1 ~ 600 MHz Output level: -20 to 90 dB $\mu$ V (-127 to -17 dBm)
RF power meter (50 $\Omega$ terminated)	Measuring range: 0.1 ~ 30 W Frequency range: 100 ~ 600 MHz SWR: 1.2 : 1 or less	10 MHz reference frequency signal source	Frequency: 10.000000 MHz Accuracy: $\pm 5 \times 10^{-4}$ ppm or less Output level: 97 dB $\mu$ V (-10 dBm)
Audio generator (AG)	Frequency range: 300 ~ 3000 Hz Output level: 1 ~ 500 mV	AC millivoltmeter	Measuring range: 1 mV ~ 10 V

### ■ SAVE THE PROGRAMMING DATA

- Adjusting the repeater will change the programming setting.
- Before adjusting, save the programming data of the repeater with the programming software.  
After adjusting, write back the programming data.

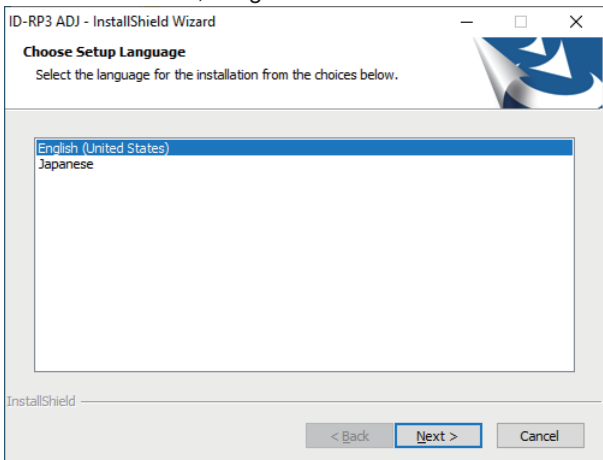
### ■ CONNECTIONS



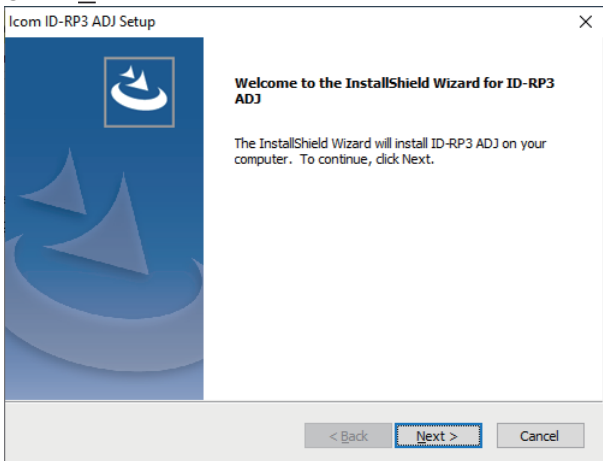
## ■ INSTALLING THE ADJUSTMENT SOFTWARE (ID-RP3 ADJ)

When installing the software, confirm Windows has completed its startup, and then log in as the **administrator**.

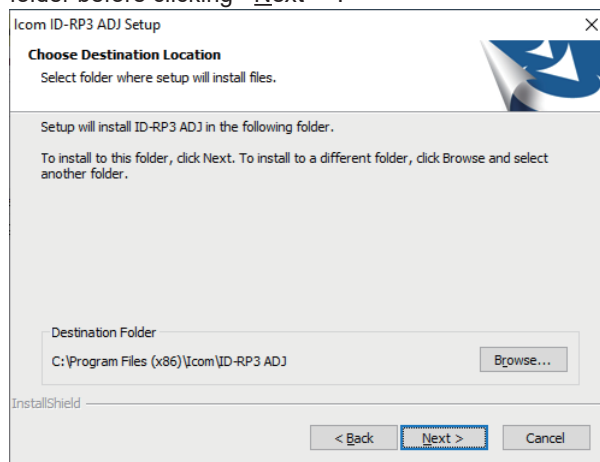
- 1) Confirm no other applications are running.
- 2) Double-click "setup.exe."
  - If "User Account Control" is displayed, click <Yes> to continue.
- 3) Select "English" (or "Japanese") and then click <Next >>.
  - In this document, "English" is selected.



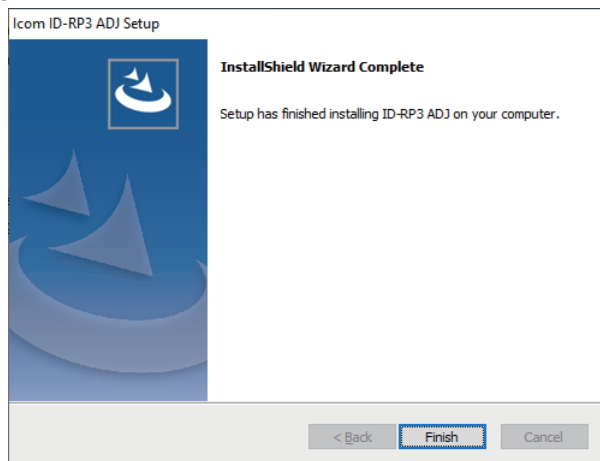
- 4) "Welcome to the InstallShield Wizard for ID-RP3 ADJ" is displayed. Click <Next >>.



- 5) "Choose Destination Location" is displayed. Click <Next >>.
  - If desired, click <Browse...> to select another destination folder before clicking <Next >>.



- 6) After the installation has completed, "InstallShield Wizard Complete" is displayed. Click <Finish>.



- 7) An 'ID-RP3 ADJ' group is created on the menu, and a shortcut icon is created on the desktop.

## ■ BEFORE CONNECTING THE REPEATER TO THE PC

To use the USB cable between the repeater and a PC, you must first install a USB driver.

The latest USB driver and installation guide can be downloaded from the Icom website.

Carefully read the guide, before installing the driver.

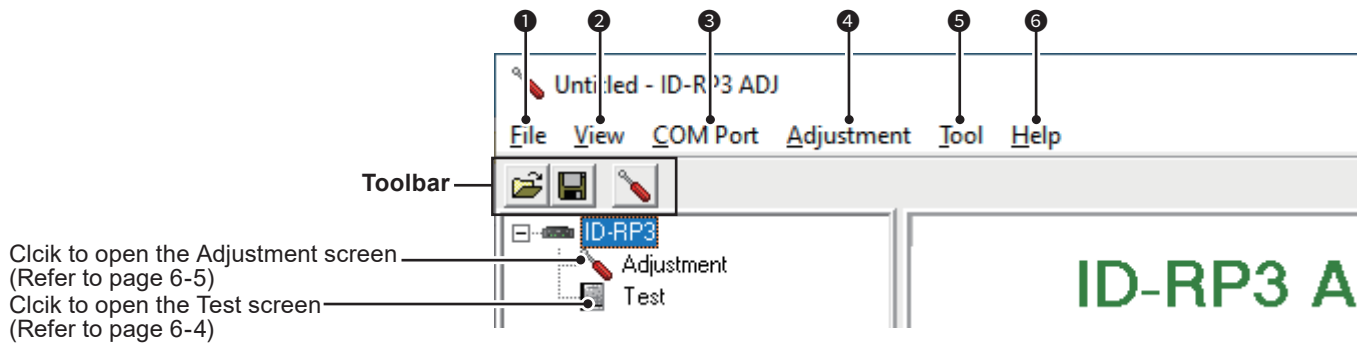
[https://www.icomjapan.com/support/firmware\\_driver/](https://www.icomjapan.com/support/firmware_driver/)

## ■ IF A COMMUNICATION ERROR MESSAGE APPEARS

Check the following if an error message appears.

- The correct port number is set in the [COM Port] menu.
- The repeater and PC are correctly connected together with the cloning cable.
- The repeater is turned ON.

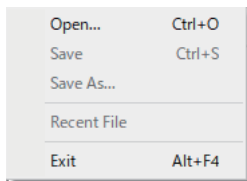
## ■ ABOUT THE ADJUSTMENT SOFTWARE (ID-RP3 ADJ)



Click to open the Adjustment screen  
(Refer to page 6-5)  
Click to open the Test screen  
(Refer to page 6-4)

### 1 File

The File menu contains sub-menus that you use to open, and save data file, and to exit the software.



#### Open... (Ctrl+O)

Click to open a data file (.icf).

- The Adjustment data is not written to the repeater at opening a file.

#### Save (Ctrl+S)

Click to save the settings to a data file (.icf).

- You need to load the data to save from the repeater.

#### Save As...

Click to save the current settings with a different file name, or in a different location.

If the same file name exists in the selected folder, a warning message appears. Click <OK> if you want to overwrite it, otherwise change the file name or location and then save it.

- You need to load the data to save from the repeater.

#### Recent File

Click to show up to the last four files that you accessed.

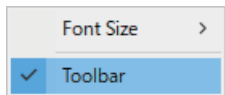
Select a file for simple reloading.

#### Exit (Alt+F4)

Click to close the software.

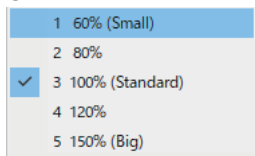
### 2 View

The View menu contains sub-menu that you use to change the font size and to hide or display the toolbar.



#### Font Size

Click to select the font size of the contents list screen.



#### Toolbar

Click to hide or display the toolbar.

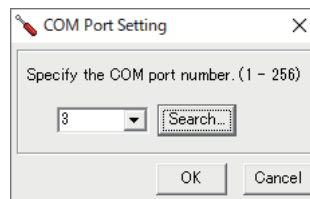
The toolbar has 3 function icons, Open, Save, and load the adjustment data.

### 3 COM Port

#### Setting

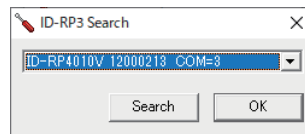
Opens the "COM Port Setting" window.

Select the number of the COM port that the repeater is connected to.



You may also search the COM port number that the ID-RP4010V is connected to, by clicking <Search> on the "COM Port Setting" window.

- The "ID-RP3 Search" window appears.



### 4 Adjustment

#### Read <- Repeater

Loads the adjustment value from the repeater.

**NOTE:** Check the following if an error message appears.

- The correct port number is set in the [COM Port] menu.
- The repeater and PC are correctly connected together with the programming cable.
- The repeater is turned ON.

### 5 Tool

#### All Reset

Performs the Repeater All Reset.

All Reset returns all repeater settings to their default value.

- [TX] and [RX] blink until the repeater setting data is newly programmed.

**NOTE:** It is recommended that you save the programming data of the repeater with the programming software before adjusting.

### 6 Help

#### About ID-RP3 ADJ

Click to open the information window which displays the revision number of the software.

Click <OK> to close the window.

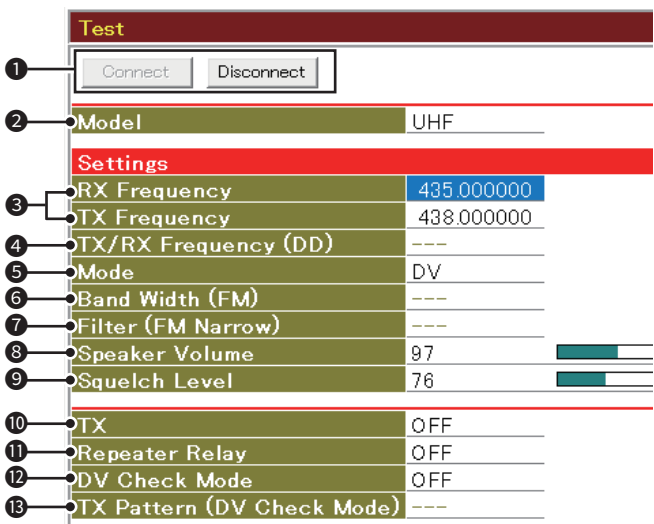


(This window is an example.)

## ■ ABOUT THE TEST SCREEN

On the Test screen, you can temporarily change the repeater settings to test the repeater operation.

- Perform the Repeater All Reset after you have changed all the necessary settings on this screen, checked the result, and finished the test. Click <Disconnect>, then Repeater All Reset.



(This screen is an example.)

### ❶ <Connect> and <Disconnect> buttons

Click <Connect> to load the repeater setting data onto the PC. Click <Disconnect> to exit the repeater test.

**NOTE:** Check the following if an error message appears.

- The correct port number is set in the [COM Port] menu.
- The repeater and PC are correctly connected together with the programming cable.
- The repeater is turned ON.

### ❷ Model

“UHF” is displayed when the repeater setting data has been successfully loaded.

### ❸ RX Frequency / TX Frequency

Sets the uplink (RX) or downlink (TX) frequency (in MHz). Double-click on the item and enter the frequency using the PC’s keyboard, then push [Enter].

Enter the frequency of up to 6 digits (in MHz).

The settable frequency range may differ, depending on the repeater version.

### ❹ TX/RX Frequency (DD)

This item is not for the ID-RP4010V.

### ❺ Mode

Sets the operating mode.

Double-click on the item and set the mode to “FM” (Analog audio) or “DV” (Digital audio).

### ❻ Band Width (FM)

Sets the pass bandwidth in the FM mode.

Double-click on the item and set the bandwidth to “Wide” or “Narrow.”

- This item can be set when the “Mode” item is set to “FM.”

### ❼ Filter (FM Narrow)

Sets the IF filter pass bandwidth in the FM mode.

Double-click on the item and set the bandwidth to “10k” (10 kHz) or “7k” (7 kHz).

- This item can be set when the “Mode” item is set to “FM.”

### ❽ Speaker Volume

Sets the output signal level of the [SERVICE] jack.

Double-click on the item and push the PC’s [←] or [→] key to increase or decrease the audio output level.

- Settable range: 0 (0%) ~ 255 (100%)
- The received audio signal (the demodulated signal in the FM mode or the decoded digital signal in the DV mode) is output from the [SERVICE] jack.

### ❾ Squelch Level

Sets the noise squelch level.

Double-click on the item and push the PC’s [←] or [→] key to increase or decrease the squelch level.

- Settable range: 0 (0% loose) ~ 255 (100% tight)
- When you set to “0,” the squelch is forcibly opened.

### ❿ TX

Turns the test transmission ON or OFF.

Double-click this item and select “ON” to start transmission.

Select “OFF” to stop transmission.

### ⓫ Repeater Relay

Turns the repeater relay operation ON or OFF.

Double-click on the item and select “ON” to turn ON the relay operation (Normal repeater operation).

Select “OFF” to inhibit the transmission (The repeater does not transmit even when an uplink signal is received.)

### ⓬ DV Check Mode

Turns the DV Check Mode ON or OFF.

When “ON” is selected, clock and data signals for the RX decoding are output from the SD card slot, and the downlink signal with the test pattern that is selected in the “TX Pattern (DV Check Mode)” is transmitted.

- This item can be set when the “Mode” item is set to “DV.”
- You need to restart the repeater when changing the selection from “ON” to “OFF.” Restart the repeater by following the instructions that are displayed when you select “OFF.”

### ⓭ TX Pattern

Selects the test pattern of the transmit signal (downlink signal).

**Normal:** Received signal is transmitted. (Normal repeater operation)

**0/1 Repeat:** Data bits “0” and “1” are repeatedly transmitted.

**PN9:** PN9 data is transmitted.

**PN15:** PN15 data is transmitted.

**All 1:** Only data bit “1” is transmitted.

**All 0:** Only data bit “0” is transmitted.

- This item can be set when the “DV Check Mode” item is set to “ON.”

### About the transmitted signal

The repeater transmits the following signal (if there is no uplink signal received), depending on the related item settings.

“Mode” item	“DV Check Mode” item	“Repeater Relay” item	Transmit signal
FM	—*1	ON	Non-modulated signal
FM	—*1	OFF	Externally applied AF signal
DV	OFF	ON	The DV signal and carrier.*2
		OFF	The coded data (AMBE) of externally applied AF signal
DV	ON	—*1	The signal with the pattern that is selected in “TX Pattern (DV Check Mode)”

\*1 Does not affect the transmit signal.

\*2 2 seconds of DV signal followed by the continuous non-modulated signal.

## ■ ABOUT THE ADJUSTMENT SCREEN

On the Adjustment screen, you can adjust the repeater.

- Perform the Repeater All Reset after you have finished the adjustment.

Adjustment value in hexadecimal

Adjustment				
	Start	Stop	[Enter]: Starts the automatic adjustment.	
	Model	UHF		
	IDLING		Hex	Result
Idling current adjustment (Automatic)	VDL IDL Set	02FE (2.470V)	00E0 (0.722V)	--
	UHF FIDV	B0 (3.450V)		--
	UHF DIDV	CB (3.980V)		--
	<b>TX OUTPUT POWER</b>			
Transmit output power adjustment (Manual)	TX Total UHF Gain	63 (1.941V)		--
	POWER UHF2 MIN	0E (0.274V)		--
	POWER UHF2 1%	0E (0.274V)		--
	POWER UHF2 10%	21 (0.647V)		--
	POWER UHF2 50%	42 (1.294V)		--
	POWER UHF2 100%	5B (1.784V)		--
<b>TX BALANCE</b>				
Transmit balance adjustment (Manual)	POWER UHF1 100%	5A (99%)		--
	POWER UHF3 100%	5C (101%)		--
	POWER UHF4 100%	5E (103%)		--
<b>ALC/DRIVE GAIN</b>				
ALC and DRIVE GAIN adjustments (Automatic)	ALC UHF	005F (0.306V)		--
		02C9 (2.300V)		
		0343 (2.693V)		
	DRIVE UHF	2C (0.862V)		--
		50 (1.568V)		
		23 (0.686V)		
		56 (1.686V)		
		6B (2.098V)		
		2B (0.843V)		
		4D (1.509V)		
		61 (1.901V)		
		2D (0.882V)		
66 (2.000V)				
84 (2.588V)				
<b>REFERENCE FREQUENCY</b>				
Reference frequency adjustment (Automatic)	REF OSC 1	6B	57	--
<b>RX TOTAL GAIN/AGC ATTENUATOR</b>				
Receive adjustments (Automatic)	Total Gain UHF PRE ON ref	[Enter]		--
	Total Gain UHF PRE ON set	92		--
	UHF AGC set	[Enter]		--

“OK” is displayed when the automatic adjustment is successfully finished.

## ■ COMMON ADJUSTMENT PROCEDURE

### For the Automatic adjustments

- 1) Click on the adjustment value in hexadecimal for the item.
  - The cell is highlighted in blue and selected.
- 2) Push the PC's [ENTER] key.
  - “OK” is displayed and the adjustment value is stored.

Adjustment value in hexadecimal

Adjustment item	Hex	Result
VDL IDL Set	02FE (2.470V)	--
	00E0 (0.722V)	

“OK” is displayed.

### For the Manual adjustments

- 1) Click on the adjustment value in hexadecimal for the item.
  - The cell is highlighted in blue.
- 2) Push the PC's [ENTER] key.
  - The cell is selected.
- 3) Push the PC's [←] or [→] key to adjust the value.
- 4) If you want to cancel the adjustment, push the PC's [ESC] key.
  - The adjustment value returns to its original value.
- 5) Push the PC's [ENTER] key.
  - “OK” is displayed and the adjustment value is stored.

Adjustment value in hexadecimal

Adjustment item	Hex	Result
TX Total UHF Gain	02FE (1.941V)	--

## 6-2 TRANSMIT ADJUSTMENTS AND VERIFICATIONS

\*The repeater automatically transmits while pushing the PC's [←], [→], or [ENTER] key. Be sure to select the appropriate power range before pushing keys.

ADJUSTMENT		ITEM NAME	REPEATER'S CONDITION	OPERATION	VALUE
<b>IDLING</b> -Adjustment (Auto)-	1	[VDL IDL Set]	• Transmitting	<ul style="list-style-type: none"> <li>• Connect the RF power meter* to the TX antenna connector.</li> <li>• Connect the audio generator and AC millivoltmeter to the [SERVICE] jack (MIC line), and set it to: Frequency: 1.5 kHz Level: 30 mVrms</li> <li>• Push the PC's [ENTER] key.</li> </ul>	"OK" is displayed in the Result row.
	2	[UHF FIDV]			
	3	[UHF DIDV]			
<b>TX OUTPUT POWER</b> -Adjustment (Manual)-	1	[TX Total UHF Gain]	• Transmitting	<ul style="list-style-type: none"> <li>• Connect the RF power meter* to the TX antenna connector.</li> <li>• Connect the audio generator and AC millivoltmeter to the [SERVICE] jack (MIC line), and set it to: Frequency: 1.5 kHz Level: 30 mVrms</li> <li>• Push the PC's [←] or [→] key to adjust, then push the [ENTER] key.</li> </ul>	12.5 W
	2	[POWER UHF2 MIN]			0.25 W
	3	[POWER UHF2 1%]			2.5 W
	4	[POWER UHF2 10%]			12.5 W
	5	[POWER UHF2 50%]			25 W
	6	[POWER UHF2 100%]			
<b>TX BALANCE</b> -Adjustment (Manual)-	1	[POWER UHF1 100%]	• Transmitting	<ul style="list-style-type: none"> <li>• Connect the RF power meter* to the TX antenna connector.</li> <li>• Connect the audio generator and AC millivoltmeter to the [SERVICE] jack (MIC line), and set it to: Frequency: 1.5 kHz Level: 30 mVrms</li> <li>• Push the PC's [←] or [→] key to adjust, then push the [ENTER] key.</li> </ul>	25 W
	2	[POWER UHF3 100%]			
<b>ALC/DRIVE</b> -Adjustment (Auto)-	1	[ALC UHF]	• Transmitting	• Connect the RF power meter* to the TX antenna connector.	"OK" is displayed in the Result row.
	2	[DRIVE UHF]			

### 6-3 FREQUENCY VERIFICATION

†The output level of the signal source is measured at the load end (PD).

ADJUSTMENT		ITEM NAME	REPEATER'S CONDITION	OPERATION	VALUE
REFERENCE FREQUENCY -Adjustment (Auto)-	1	[REF OSC1]	• Receiving	<ul style="list-style-type: none"> <li>Connect the 10 MHz reference frequency source to the [REF IN 10 MHz] connector, and set it to:                             <ul style="list-style-type: none"> <li>Frequency: 10.000000 MHz</li> <li>Level†: +97 dBμV (-10 dBm)</li> <li>Modulation: None</li> </ul> </li> <li>Push the PC's [ENTER] key.</li> </ul>	"OK" is displayed in the Result row.

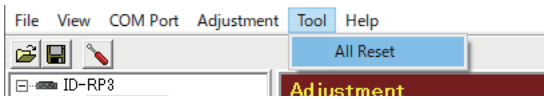
### 6-4 RECEIVE VERIFICATIONS

†The output level of the standard signal generator (SSG) is measured at the load end (PD).

ADJUSTMENT		ITEM NAME	REPEATER'S CONDITION	OPERATION	VALUE
RECEIVE SENSITIVITY -Adjustment (Auto)-	1	[Total Gain UHF PRE ON ref]	• Receiving	<ul style="list-style-type: none"> <li>Connect the SSG to the [RX ANT] connector, and set it to:                             <ul style="list-style-type: none"> <li>Frequency: 435.0215 MHz</li> <li>Level†: +30 dBμV (-77 dBm)</li> <li>Modulation: None</li> </ul> </li> <li>Push the PC's [ENTER] key.</li> </ul>	"OK" is displayed in the Result row.
	2	[Total Gain UHF PRE ON set]		<ul style="list-style-type: none"> <li>Set the SSG output as:                             <ul style="list-style-type: none"> <li>Level†: OFF</li> </ul> </li> <li>Push the PC's [ENTER] key.</li> </ul>	
	3	[UHF AGC set]		<ul style="list-style-type: none"> <li>Set the SSG output as:                             <ul style="list-style-type: none"> <li>Level†: +50 dBμV (-57 dBm)</li> </ul> </li> <li>Push the PC's [ENTER] key.</li> </ul>	

### 6-5 RESTARTING THE REPEATER

1) Click [Stop], then perform the All Reset on the ID-RP3 ADJ window.



2) Turn OFF the repeater.



# SECTION 7

# PARTS LIST

## [FRONT-L UNIT]

REF NO.	PART NO.	DESCRIPTION	M.	H/V LOCATION
Q3	1590004690	S.TRA LDTC143ZET1G	T	18.4/28.0
Q7	1590004690	S.TRA LDTC143ZET1G	T	75.5/4.0
Q9	1590004690	S.TRA LDTC143ZET1G	T	88.5/4.1
L1	6200011910	S.COI BLM31PG330SN1L	T	99.7/26.8
R1	7030016560	S.RES RMC1/16SJPTH	T	16.4/29.5
R2	7030015910	S.RES RMC1/16S-101JTH (100)	T	73.7/41.1
R3	7030016210	S.RES RMC1/16S-121JTH (120)	T	16.4/28.0
R4	7030016250	S.RES RMC1/16S-220JTH (22)	T	86.6/34.6
R5	7030015910	S.RES RMC1/16S-101JTH (100)	T	75.6/34.6
R6	7030015910	S.RES RMC1/16S-101JTH (100)	T	74.6/34.6
R7	7030016210	S.RES RMC1/16S-121JTH (120)	T	76.1/2.2
R8	7030016250	S.RES RMC1/16S-220JTH (22)	T	75.7/41.1
R9	7030016210	S.RES RMC1/16S-121JTH (120)	T	89.1/2.3
R10	7030016250	S.RES RMC1/16S-220JTH (22)	T	74.7/41.1
R11	7030016370	S.RES RMC1/16S-271JTH (270)	T	105.4/15.7
R12	7030016370	S.RES RMC1/16S-271JTH (270)	T	117.4/15.7
R13	7030016250	S.RES RMC1/16S-220JTH (22)	T	81.5/41.1
R14	7030016250	S.RES RMC1/16S-220JTH (22)	T	83.5/41.1
R15	7030015910	S.RES RMC1/16S-101JTH (100)	T	85.5/41.1
R16	7030016250	S.RES RMC1/16S-220JTH (22)	T	83.6/34.6
R17	7030015910	S.RES RMC1/16S-101JTH (100)	T	81.6/34.6
R18	7030015910	S.RES RMC1/16S-101JTH (100)	T	82.5/41.1
R19	7030015910	S.RES RMC1/16S-101JTH (100)	T	84.5/41.1
R20	7030016250	S.RES RMC1/16S-220JTH (22)	T	82.6/34.6
R21	7030015050	S.RES RMC1/16-221JTP (220)	T	45.6/35.5
R22	7030014940	S.RES RMC1/16-270JTP (27)	T	44.4/35.5
R23	7030014940	S.RES RMC1/16-270JTP (27)	T	43.2/35.5
R24	7030014940	S.RES RMC1/16-270JTP (27)	T	53.3/34.9
R25	7030014940	S.RES RMC1/16-270JTP (27)	T	42.0/35.5
R26	7030014940	S.RES RMC1/16-270JTP (27)	T	52.1/34.9
R27	7030015910	S.RES RMC1/16S-101JTH (100)	T	84.6/34.6
R28	7030014940	S.RES RMC1/16-270JTP (27)	T	50.9/34.9
R29	7030015050	S.RES RMC1/16-221JTP (220)	T	49.7/34.9
R30	7030015910	S.RES RMC1/16S-101JTH (100)	T	80.6/34.6
R40	7030016660	S.RES RMC1/16SK49R9FTH (49.9)	T	107.4/31.2
R41	7030016660	S.RES RMC1/16SK49R9FTH (49.9)	T	109.0/31.2
R42	7030016660	S.RES RMC1/16SK49R9FTH (49.9)	T	115.4/31.2
R43	7030016660	S.RES RMC1/16SK49R9FTH (49.9)	T	113.8/31.2
R44	7030016560	S.RES RMC1/16SJPTH	T	118.7/30.5
R45	7030018740	S.RES RMC1/16S-750JTH (75)	T	109.5/19.3
R46	7030018740	S.RES RMC1/16S-750JTH (75)	T	113.3/19.3
R47	7030018740	S.RES RMC1/16S-750JTH (75)	T	111.4/16.6
R48	7030018740	S.RES RMC1/16S-750JTH (75)	T	110.5/16.6
R51	7030015910	S.RES RMC1/16S-101JTH (100)	T	125.9/34.8
R52	7030015910	S.RES RMC1/16S-101JTH (100)	T	125.9/35.8
R53	7030016250	S.RES RMC1/16S-220JTH (22)	T	125.9/36.8
R54	7030015910	S.RES RMC1/16S-101JTH (100)	T	125.9/38.8
R55	7030015910	S.RES RMC1/16S-101JTH (100)	T	125.9/39.8
R56	7030016250	S.RES RMC1/16S-220JTH (22)	T	132.6/35.3
R57	7030016250	S.RES RMC1/16S-220JTH (22)	T	132.6/36.3
R58	7030015910	S.RES RMC1/16S-101JTH (100)	T	125.9/37.8
R59	7030016250	S.RES RMC1/16S-220JTH (22)	T	132.6/38.3
R60	7030015910	S.RES RMC1/16S-101JTH (100)	T	132.6/39.3
R71	7030016560	S.RES RMC1/16SJPTH	T	78.1/41.1
R72	7030016560	S.RES RMC1/16SJPTH	T	79.1/41.1
R73	7030016560	S.RES RMC1/16SJPTH	T	77.2/41.1
R74	7030016560	S.RES RMC1/16SJPTH	T	80.0/41.1
R76	7030016250	S.RES RMC1/16S-220JTH (22)	T	85.5/34.6
R77	7030016250	S.RES RMC1/16S-220JTH (22)	T	132.6/37.3
C2	4030023030	S.CER 0402B103K250CT	T	73.7/44.0
C5	4030023030	S.CER 0402B103K250CT	T	75.6/31.7
C6	4030023030	S.CER 0402B103K250CT	T	74.6/31.7
C8	4030023010	S.CER 0402B104K160CT	T	67.0/44.0
C17	4030023030	S.CER 0402B103K250CT	T	81.6/31.7
C18	4030022740	S.CER 0402N220J500CT	T	82.5/44.0
C19	4030023030	S.CER 0402B103K250CT	T	84.5/44.0
C21	4030023820	S.CER 0603B104K250CT	T	47.5/33.7
C22	4030019560	S.CER GRM21BB31C106KE15L	T	47.7/32.1
C24	4030023030	S.CER 0402B103K250CT	T	84.6/31.7
C25	4030023030	S.CER 0402B103K250CT	T	80.6/31.7
C26	4030026880	S.CER GA352QR7GF102KW01L	T	102.5/22.5
C27	4030023010	S.CER 0402B104K160CT	T	119.2/29.2
C32	4030023010	S.CER 0402B104K160CT	T	119.7/31.3
C33	4030023010	S.CER 0402B104K160CT	T	68.1/41.9
C51	4030023010	S.CER 0402B104K160CT	T	123.0/33.8
C52	4030022740	S.CER 0402N220J500CT	T	123.0/34.8
C53	4030023030	S.CER 0402B103K250CT	T	123.0/35.8
C55	4030023030	S.CER 0402B103K250CT	T	123.0/38.8
C56	4030023030	S.CER 0402B103K250CT	T	123.0/39.8
C57	4030023030	S.CER 0402B103K250CT	T	134.8/39.3
J1	6510022472	S.CON 40FLT-SM2-TB	T	76.8/37.8
J2	6510015541	S.CON B4B-ZR-SM4-TF	T	10.9/28.8
J21	6510034190	S.CON DM1AA-SF-PEJ(82)	T	49.0/15.3
J31	6510024040	CON TM11R-5M2-88-LP		
J51	6510022022	S.CON 14FLT-SM2-TB	T	129.3/37.1
DS7	5040003001	S.LED SML-A12UT T86J	T	75.4/0.8
DS9	5040002961	S.LED SML-A12MT T86J	T	88.4/0.8
DS11	5040003590	S.LED SML-D12P8WT86	T	105.8/14.0
DS12	5040003590	S.LED SML-D12P8WT86	T	117.0/14.0

REF NO.	PART NO.	DESCRIPTION	M.	H/V LOCATION
S5	2260002590	SWI SKHHLU		
S6	2220000631	SWI MFS201N-16-Z		
T10	5910001380	S.TRA TS8121CM HF	T	111.4/25.1
EP12	6910016330	S.BEA MMZ1005S 601CT-S	T	76.6/34.6
EP13	6910019900	S.BEA MPZ1608S601AT	T	67.0/41.4
EP14	6910016330	S.BEA MMZ1005S 601CT-S	T	86.5/41.1
EP17	6910016330	S.BEA MMZ1005S 601CT-S	T	118.7/32.2
EP21	6910019900	S.BEA MPZ1608S601AT	T	46.8/35.5
EP51	6910019900	S.BEA MPZ1608S601AT	T	125.6/33.8

Eqv.= This component is equivalent to the REF No. component listed above, and may be substituted on parts orders and repairs.

M.=Mounted side (T: Mounted on the Top side, B: Mounted on the Bottom side)  
H/V LOCATION= Shows mounting location on the PCB.

[MAIN UNIT]

REF NO.	PART NO.	DESCRIPTION	M.	H/V LOCATION
IC101	1140017780	S.IC R7S721001VCBG	T	162.5/55.0
IC171	1110007780	S.IC NJU7704F3-28A-TE1	T	180.1/32.1
IC181	1130018090	S.IC EN25QH64A-104HIP	T	159.0/71.8
IC195	1130016621	S.IC GT24C128B-2ZLI-TR	T	171.9/72.4
IC201	1130016730	S.IC S-1009N30I-M5T1U	T	179.8/59.6
IC251	1130018410	S.IC RX-8803LC UB	T	167.5/78.0
IC311	1140018350	S.IC STM32F030C6T6-HF	T	195.0/47.0
IC331	1130018770	S.IC S25FL127SABMF100	T	112.7/107.8
IC501	1180004480	S.REG XC6221A142MR-G	T	130.1/117.9
IC502	1140016370	S.IC TMS320C5517AZCHA20	T	134.5/105.0
IC1001	6910025460	S.DC MAX17503ATPT	T	74.4/137.5
IC1011	1180004960	S.REG XC6220H001QR-G	T	102.9/139.7
IC1021	1180004830	S.REG XC6222A331MR-G	T	163.3/134.0
IC1031	1180004830	S.REG XC6222A331MR-G	T	98.0/130.4
IC1041	6910027620	S.DC TPS54418RTER	T	85.5/136.5
IC1042	1130007021	S.IC TC7S66FU(TE85LF)	T	90.8/138.4
IC1071	1180004970	S.REG XC6222D251MR-G	T	98.8/119.6
IC1101	6910026640	S.DC MP2224GJ-P	T	60.4/138.6
IC1102	1130011930	S.IC SN74LVC1G04DCKR	T	59.5/135.0
IC1111	6910027620	S.DC TPS54418RTER	T	70.5/127.0
IC1112	1130007021	S.IC TC7S66FU(TE85LF)	T	65.9/123.2
IC1121	1180004740	S.REG S-1313D33-M5T1U3	T	42.6/122.6
IC1131	1180004740	S.REG S-1313D33-M5T1U3	T	10.7/94.4
IC1201	6910026640	S.DC MP2224GJ-P	T	87.2/123.3
IC1211	6910022360	S.DC TPS62110RSAR	T	58.5/124.8
IC1221	1180004630	S.REG NJM7805DL1A-TE1	T	9.5/122.9
IC1231	1180004430	S.REG XC6209F502MR-G	T	158.0/115.0
IC1241	1180004240	S.REG XC6222D131PR-G	T	10.0/90.0
IC1246	1180003940	S.REG XC6222D121PR-G	T	11.2/99.9
IC1251	1180004800	S.REG XC6222D181MR-G	T	15.0/104.2
IC1261	1110007950	S.IC INA199A2DCKR	T	7.2/20.8
IC1321	1180005530	S.REG LP5912-3.3DRVR	T	55.8/63.0
IC1331	1180004270	S.REG NJM2881F05-TE1	T	74.6/64.5
IC1551	1130019421	S.IC CP2102N-A02-GQFN28R	T	164.3/142.0
IC1901	1130019590	S.IC LAN8710AI-EZK-ABC	T	144.8/41.6
IC2001	1110007930	S.IC PCM1681PWPR	T	181.9/72.0
IC2011	1110008890	S.IC NJU7056F3-TE2	T	174.2/77.9
IC2021	1110006570	S.IC TS462CPT	T	191.2/71.8
IC2081	1110008550	S.IC NJM2904CRB1-TE1	T	192.4/58.4
IC2101	1190004280	S.IC PCM1802DBR	T	163.5/94.0
IC2102	1110006570	S.IC TS462CPT	T	165.5/106.5
IC2201	1190003450	S.IC MP7741DQ-LF-P	T	199.9/89.5
IC2541	1110005320	S.IC NJM13403V-TE1	T	100.0/25.6
IC2601	1110005320	S.IC NJM13403V-TE1	T	81.9/30.4
IC2621	1110008550	S.IC NJM2904CRB1-TE1	T	106.8/13.2
IC2651	1110008550	S.IC NJM2904CRB1-TE1	T	145.5/27.9
IC2801	1130017400	S.IC MC74HC4094ADTR2G	T	112.0/48.2
IC2811	1130017400	S.IC MC74HC4094ADTR2G	T	118.6/47.0
IC2821	1130017400	S.IC MC74HC4094ADTR2G	T	125.2/47.0
IC2851	1130016460	S.IC R2A20169SA	T	131.5/47.0
IC2852	1180004430	S.REG XC6209F502MR-G	T	138.0/47.0
IC2861	1110008550	S.IC NJM2904CRB1-TE1	T	137.0/28.2
IC2961	1110007660	S.IC NJM2746V-TE1	T	122.3/36.6
IC3031	1110007400	S.IC BGA616	T	64.6/25.2
IC3151	1110008590	S.IC PGA-103	T	14.8/30.3
IC3171	1180004760	S.REG S-1200B33-M5T1U	T	28.6/32.9
IC3501	1180004430	S.REG XC6209F502MR-G	T	49.6/26.6
IC3511	1180004430	S.REG XC6209F502MR-G	T	28.5/26.5
IC5101	1120002960	S.IC TC74AC541FT(EL)	T	15.7/136.5
IC5108	1130010112	S.IC TC7WH04FULJ	T	8.5/134.3
IC5201	1130019490	S.IC SN74LVC2G126DCUR	T	150.3/142.0
IC5211	1130019490	S.IC SN74LVC2G126DCUR	T	144.8/142.0
IC5221	1130019490	S.IC SN74LVC2G126DCUR	T	139.3/142.0
IC5231	1130019490	S.IC SN74LVC2G126DCUR	T	133.8/142.0
IC5242	1130019490	S.IC SN74LVC2G126DCUR	T	128.4/142.0
IC7201	1190004940	S.IC DAC3S42IRKD	T	43.1/69.9
IC7501	1190004960	S.IC LTC2156IUP-14#TRPBF	T	32.2/99.7
IC7601	1140018370	S.IC 5CEFA9V23I7N	T	67.7/95.6
IC7931	6910024650	S.IC 74LVC2G17GW125	T	47.9/108.2
IC7932	6910024650	S.IC 74LVC2G17GW125	T	47.9/111.7
IC8691	1130012610	S.IC SN74AHC1GU04DCKR	T	86.5/42.6
IC8692	1130010540	S.IC SN74AHC74PWVR	T	87.7/47.9
IC8693	1130017950	S.IC SN65LVD51DBVR	T	86.5/72.5
IC8701	1110009880	S.IC AD9518-1ABCZPZ-RL7	T	67.3/56.3
IC8811	1130012610	S.IC SN74AHC1GU04DCKR	T	23.5/111.0
IC8812	1130018290	S.IC TC7SZ17FELJ	T	26.4/111.0
IC8813	1140018870	S.IC LCMX02-640HC-4TG100I	T	98.3/102.5
Q1051	1550000500	S.FET RZF020P01TL	T	162.0/15.8
Q1052	1590004690	S.TRA LDTC143ZET1G	T	162.7/13.5
Q1111	1560002190	S.FET RUM002N02T2L	T	67.6/112.6
Q1112	1590005220	S.TRA LDTA114YET1G	T	66.2/115.1
Q1621	1590004690	S.TRA LDTC143ZET1G	T	158.2/153.8
Q2081	1530004140	S.TRA L2SC4081RT1G	T	195.7/61.2
Q2541	1560002190	S.FET RUM002N02T2L	T	109.3/23.4
Q2551	1530003960	S.TRA KTC2875-B-RTK/P	T	108.0/30.8
Q2552	1590005220	S.TRA LDTA114YET1G	T	110.8/31.2
Q2561	1590004690	S.TRA LDTC143ZET1G	T	75.1/25.3
Q2562	1590005220	S.TRA LDTA114YET1G	T	75.3/27.7
Q2567	1590004690	S.TRA LDTC143ZET1G	T	88.5/24.0
Q2591	1510001200	S.TRA L2SA1576ART1G	T	114.3/21.1
Q2601	1530004140	S.TRA L2SC4081RT1G	T	89.8/27.4
Q2871	1530004140	S.TRA L2SC4081RT1G	T	133.6/25.2
Q2881	1530004620	S.TRA 2SCR553P5100	T	117.7/128.6
Q3031	1550000430	S.FET RU1C002ZPTCL	T	59.8/27.0
Q3032	1590004690	S.TRA LDTC143ZET1G	T	57.6/24.8
Q3151	1550000500	S.FET RZF020P01TL	T	24.5/31.2
Q3152	1590004690	S.TRA LDTC143ZET1G	T	24.9/26.4
Q5242	1590003580	S.TRA KRC404 RTK/P	T	123.9/143.4
Q8601	1530004590	S.TRA BFR193F H6327	T	106.3/40.8
Q8602	1510001270	S.TRA 2SAR502UBTL	T	105.5/38.7
Q8621	1530004590	S.TRA BFR193F H6327	T	100.6/38.1
Q8641	1530004590	S.TRA BFR193F H6327	T	81.7/40.4
Q8661	1530004590	S.TRA BFR193F H6327	T	87.7/64.9
Q8801	1530002852	S.TRA 2SC4116-BLLF	T	13.9/109.6

REF NO.	PART NO.	DESCRIPTION	M.	H/V LOCATION
Q8811	1590004690	S.TRA LDTC143ZET1G	T	20.8/114.7
Q8821	1590004690	S.TRA LDTC143ZET1G	T	13.8/114.2
Q8822	1590004690	S.TRA LDTC143ZET1G	T	17.7/114.8
Q8823	1590005220	S.TRA LDTA114YET1G	T	90.1/130.8
D171	1750001810	S.DIO L1SS400T1G	T	187.1/37.0
D251	1750001810	S.DIO L1SS400T1G	T	164.0/80.7
D281	1750001820	S.DIO LRB706F-40T1G	T	197.2/20.4
D282	1750001820	S.DIO LRB706F-40T1G	T	199.7/20.4
D285	1750001820	S.DIO LRB706F-40T1G	T	192.1/20.4
D286	1750001820	S.DIO LRB706F-40T1G	T	194.7/20.4
D312	1750001810	S.DIO L1SS400T1G	T	209.5/34.3
D318	1750001810	S.DIO L1SS400T1G	T	209.5/40.5
D320	1750001810	S.DIO L1SS400T1G	T	211.0/43.6
D323	1750001810	S.DIO L1SS400T1G	T	211.0/46.7
D324	1750001810	S.DIO L1SS400T1G	T	209.5/46.7
D332	1750001810	S.DIO L1SS400T1G	T	211.0/56.0
D333	1750001810	S.DIO L1SS400T1G	T	209.5/56.0
D1601	1750001820	S.DIO LRB706F-40T1G	T	164.9/153.8
D1602	1750001820	S.DIO LRB706F-40T1G	T	169.5/153.8
D2127	1750001810	S.DIO L1SS400T1G	T	170.0/106.1
D2128	1750001810	S.DIO L1SS400T1G	T	171.3/106.1
D2201	1750001810	S.DIO L1SS400T1G	T	203.7/94.0
D2202	1750004350	S.ZEN UDZVTE-17 6.2B	T	201.6/94.2
D2541	1750001810	S.DIO L1SS400T1G	T	102.6/21.6
D2551	1750001810	S.DIO L1SS400T1G	T	101.3/29.0
D2567	1750001810	S.DIO L1SS400T1G	T	85.2/25.6
D2571	1750001810	S.DIO L1SS400T1G	T	96.9/29.4
D2581	1750001810	S.DIO L1SS400T1G	T	97.1/21.8
D2582	1750001810	S.DIO L1SS400T1G	T	92.6/21.8
D2585	1750001810	S.DIO L1SS400T1G	T	91.7/28.8
D2591	1730002790	S.ZEN UDZSTE-17 3.9B	T	114.1/25.4
D2592	1750002230	S.DIO LRB751S-40T1G	T	113.6/28.2
D2593	1750002230	S.DIO LRB751S-40T1G	T	113.6/27.0
D2621	1750001810	S.DIO L1SS400T1G	T	113.0/15.4
D2625	1750001810	S.DIO L1SS400T1G	T	112.6/11.7
D2631	1750001810	S.DIO L1SS400T1G	T	102.1/14.5
D3011	1750003070	S.DIO BAP70Q	T	64.1/39.3
D3021	1750003070	S.DIO BAP70Q	T	64.1/32.2
D3041	1750003070	S.DIO BAP70Q	T	62.8/20.5
D3141	1750003070	S.DIO BAP70Q	T	14.6/23.8
D3161	1750004030	S.DIO 1SS390SMT2R	T	19.3/44.0
D3162	1750004030	S.DIO 1SS390SMT2R	T	19.3/42.8
D3163	1750001810	S.DIO L1SS400T1G	T	22.0/42.7
D3164	1750001810	S.DIO L1SS400T1G	T	22.0/40.2
D3165	1750001810	S.DIO L1SS400T1G	T	20.7/40.2
D3166	1750001810	S.DIO L1SS400T1G	T	24.7/23.8
D3167	1750001810	S.DIO L1SS400T1G	T	23.5/23.8
D5101	1750003660	S.ZEN DE2705600L	T	9.9/143.0
D5102	1750003660	S.ZEN DE2705600L	T	13.7/143.0
D5103	1750003660	S.ZEN DE2705600L	T	11.8/143.0
D5104	1750003660	S.ZEN DE2705600L	T	17.5/143.0
D5105	1750003660	S.ZEN DE2705600L	T	15.6/143.0
D5106	1750003660	S.ZEN DE2705600L	T	19.4/143.0
D5107	1750003660	S.ZEN DE2705600L	T	21.3/143.0
D5259	1750003660	S.ZEN DE2705600L	T	152.1/142.7
D5260	1750003660	S.ZEN DE2705600L	T	146.6/142.7
D5262	1750003660	S.ZEN DE2705600L	T	141.1/142.7
D5263	1750003660	S.ZEN DE2705600L	T	135.6/142.7
D5264	1750003660	S.ZEN DE2705600L	T	130.2/142.7
D8621	1750004370	S.DIO RB715UMTL	T	81.8/37.2
D8641	1750004370	S.DIO RB715UMTL	T	87.1/60.6
D8801	1750004030	S.DIO 1SS390SMT2R	T	10.0/113.8
D8802	1750004030	S.DIO 1SS390SMT2R	T	11.2/113.8
D8811	1750001820	S.DIO LRB706F-40T1G	T	20.8/111.0
D8812	1750001810	S.DIO L1SS400T1G	T	23.4/114.0
D9601	1750001820	S.DIO LRB706F-40T1G	T	189.5/32.8
D9602	1750001820	S.DIO LRB706F-40T1G	T	199.5/32.8
D9603	1750001820	S.DIO LRB706F-40T1G	T	197.0/32.8
D9605	1750001820	S.DIO LRB706F-40T1G	T	192.0/32.8
D9606	1750001820	S.DIO LRB706F-40T1G	T	202.0/32.8
D9607	1750001820	S.DIO LRB706F-40T1G	T	204.5/32.8
D9608	1750001820	S.DIO LRB706F-40T1G	T	167.7/23.4
D9609	1750001820	S.DIO LRB706F-40T1G	T	170.7/22.1
D9610	1750001820	S.DIO LRB706F-40T1G	T	170.7/19.5
D9611	1750001820	S.DIO LRB706F-40T1G	T	167.7/20.8
D9612	1750001820	S.DIO LRB706F-40T1G	T	190.8/29.9
X101	6050014170	S.XTA CR-1017 (48.000 MHz)	T	164.3/42.3
X1901	6050014270	S.XTA CR-1030 (25.000 MHz)	T	144.5/35.3
X8601	6050014891	S.XTA CR-1080A (49.152 MHz)	T	109.2/38.0
L1001	6200016430	S.COI VLS5045EX-3R3N		

[MAIN UNIT]

REF NO.	PART NO.	DESCRIPTION	M.	H/V LOCATION
L3052	6200009220	S.COI LQW18AN15NG00D (LQW1608A15NG00)	T	70.8/17.4
L3073	6200010910	S.COI LQW18AN56NG00D	T	81.8/18.9
L3081	6200010910	S.COI LQW18AN56NG00D	T	79.2/15.5
L3082	6200009290	S.COI LQW18AN47NG00D (LQW1608A47NG00)	T	85.0/16.2
L3141	6200011860	S.COI LQW18ANR47G00D	T	19.0/21.7
L3142	6200011860	S.COI LQW18ANR47G00D	T	17.6/23.8
L3143	6200011860	S.COI LQW18ANR47G00D	T	19.0/27.3
L3151	6200015510	S.COI LQW2BASR56J00L	T	19.4/30.3
L3152	6200015470	S.COI LQW2BASR39J00L	T	17.0/33.9
L3153	6200013860	S.COI MLK1005S12NJT	T	13.2/33.8
L3201	6200010660	S.COI C2520C-R15G-A (0.15U)	T	14.7/46.3
L3202	6200010660	S.COI C2520C-R15G-A (0.15U)	T	14.7/57.2
L3503	6200009220	S.COI LQW18AN15NG00D (LQW1608A15NG00)	T	74.0/18.1
L3504	6200009070	S.COI LQW18AN18NG00D (LQW1608A18NG00)	T	76.0/18.9
L7101	6200013830	S.COI MLK1005S22NJT	T	65.2/45.2
L7102	6200013830	S.COI MLK1005S22NJT	T	63.1/46.5
L7103	6200013840	S.COI MLK1005S18NJT	T	61.7/46.1
L7104	6200013850	S.COI MLK1005S15NJT	T	59.4/45.6
L7151	6200013770	S.COI MLK1005S68NJT	T	57.4/44.4
L7152	6200013770	S.COI MLK1005S68NJT	T	56.0/44.8
L7202	6140002551	S.COI #617DB-1919=P3	T	50.8/47.1
L7301	6200011670	S.COI LQW18AN82NG00D	T	20.7/57.7
L7302	6200011650	S.COI LQW18AN68NG00D	T	21.5/54.9
L7306	6200011860	S.COI LQW18ANR47G00D	T	22.2/52.1
L7307	6200011860	S.COI LQW18ANR47G00D	T	21.9/48.5
L7321	6200011800	S.COI C2520C-47NG-A	T	14.1/63.2
L7322	6200010780	S.COI C2520C-1R0G-A	T	20.1/62.5
L7351	6140005440	S.COI #617DB-1655	T	13.0/74.4
L7510	6140005440	S.COI #617DB-1655	T	61.5/74.0
L8621	6200011860	S.COI LQW18ANR47G00D	T	103.1/36.3
L8622	6200010810	S.COI C2520C-2R2G-A	T	100.3/35.6
L8623	6200010810	S.COI C2520C-2R2G-A	T	95.2/39.7
L8624	6130003000	S.COI #617DB-1714=P3	T	86.7/37.2
L8625	6200011860	S.COI LQW18ANR47G00D	T	79.8/36.5
L8641	6200011860	S.COI LQW18ANR47G00D	T	79.6/41.5
L8642	6200010780	S.COI C2520C-1R0G-A	T	80.9/44.6
L8643	6200010780	S.COI C2520C-1R0G-A	T	79.0/52.1
L8644	6130003000	S.COI #617DB-1714=P3	T	82.2/60.6
L8645	6200011860	S.COI LQW18ANR47G00D	T	89.1/59.8
L8661	6200011860	S.COI LQW18ANR47G00D	T	85.5/65.2
L8662	6200011450	S.COI C2520C-R39G-A	T	87.5/67.7
L8663	6200011450	S.COI C2520C-R39G-A	T	80.1/65.8
L8664	6200010910	S.COI LQW18AN56NG00D	T	63.2/68.8
L8665	6200010910	S.COI LQW18AN56NG00D	T	65.2/69.6
L8731	6200017280	S.COI MLK1005SR12JT	T	58.5/55.2
L8801	6200017530	S.COI NLV25T-100J-EF	T	10.2/107.9
L8802	6200017530	S.COI NLV25T-100J-EF	T	16.4/109.7
R3	7030016110	S.RES RMC1/16S-473JTH (47 k)	T	174.6/58.3
R4	7030016110	S.RES RMC1/16S-473JTH (47 k)	T	159.4/68.0
R6	7030016110	S.RES RMC1/16S-473JTH (47 k)	T	174.4/51.0
R7	7030016110	S.RES RMC1/16S-473JTH (47 k)	T	176.7/52.1
R12	7030016110	S.RES RMC1/16S-473JTH (47 k)	T	169.3/43.5
R15	7030016090	S.RES RMC1/16S-223JTH (22 k)	T	146.5/49.2
R16	7030016290	S.RES RMC1/16S-222JTH (2.2 k)	T	157.5/43.4
R17	7030016110	S.RES RMC1/16S-473JTH (47 k)	T	150.6/48.6
R19	7030016110	S.RES RMC1/16S-473JTH (47 k)	T	156.4/43.4
R20	7030016110	S.RES RMC1/16S-473JTH (47 k)	T	162.1/68.0
R21	7030016110	S.RES RMC1/16S-473JTH (47 k)	T	161.2/68.0
R22	7030016110	S.RES RMC1/16S-473JTH (47 k)	T	163.0/68.0
R23	7030016110	S.RES RMC1/16S-473JTH (47 k)	T	160.3/68.0
R24	7030015970	S.RES RMC1/16S-103JTH (10 k)	T	158.5/68.0
R25	7030016090	S.RES RMC1/16S-223JTH (22 k)	T	155.5/43.4
R27	7030016020	S.RES RMC1/16S-104JTH (100 k)	T	174.6/62.8
R30	7030016020	S.RES RMC1/16S-104JTH (100 k)	T	174.6/64.6
R31	7030016020	S.RES RMC1/16S-104JTH (100 k)	T	176.8/60.1
R34	7030016020	S.RES RMC1/16S-104JTH (100 k)	B	155.3/49.6
R36	7030016090	S.RES RMC1/16S-223JTH (22 k)	T	150.3/58.7
R37	7030016090	S.RES RMC1/16S-223JTH (22 k)	T	150.3/57.8
R38	7030016090	S.RES RMC1/16S-223JTH (22 k)	T	150.3/59.6
R39	7030016020	S.RES RMC1/16S-104JTH (100 k)	T	156.0/68.0
R40	7030016020	S.RES RMC1/16S-104JTH (100 k)	T	157.0/68.0
R41	7030016020	S.RES RMC1/16S-104JTH (100 k)	T	155.0/68.0
R45	7030016110	S.RES RMC1/16S-473JTH (47 k)	T	157.8/66.2
R46	7030016110	S.RES RMC1/16S-473JTH (47 k)	B	154.7/57.9
R47	7030016110	S.RES RMC1/16S-473JTH (47 k)	B	154.7/57.0
R101	7030015970	S.RES RMC1/16S-103JTH (10 k)	T	159.1/42.8
R102	7030015970	S.RES RMC1/16S-103JTH (10 k)	T	168.3/43.5
R103	7030015970	S.RES RMC1/16S-103JTH (10 k)	T	167.0/68.0
R105	7030016110	S.RES RMC1/16S-473JTH (47 k)	T	168.0/68.0
R107	7030015970	S.RES RMC1/16S-103JTH (10 k)	T	159.1/43.8
R108	7030016250	S.RES RMC1/16S-220JTH (22)	T	150.6/49.9
R109	7030016150	S.RES RMC1/16S-100JTH (10)	T	147.3/74.8
R110	7030016150	S.RES RMC1/16S-100JTH (10)	T	145.3/74.3
R111	7030016150	S.RES RMC1/16S-100JTH (10)	T	147.3/73.7
R112	7030016150	S.RES RMC1/16S-100JTH (10)	T	145.3/73.2
R113	7030016150	S.RES RMC1/16S-100JTH (10)	T	147.3/72.6
R114	7030016150	S.RES RMC1/16S-100JTH (10)	T	145.3/72.1
R115	7030016150	S.RES RMC1/16S-100JTH (10)	T	147.3/71.5
R116	7030016150	S.RES RMC1/16S-100JTH (10)	T	145.3/71.0
R117	7030016150	S.RES RMC1/16S-100JTH (10)	T	147.3/70.4
R118	7030016150	S.RES RMC1/16S-100JTH (10)	T	145.3/69.9
R119	7030016150	S.RES RMC1/16S-100JTH (10)	T	147.3/69.3
R120	7030016150	S.RES RMC1/16S-100JTH (10)	T	145.3/68.8
R121	7030016150	S.RES RMC1/16S-100JTH (10)	T	147.3/68.2
R122	7030016150	S.RES RMC1/16S-100JTH (10)	T	145.3/67.7
R123	7030016150	S.RES RMC1/16S-100JTH (10)	T	147.3/67.1
R124	7030016150	S.RES RMC1/16S-100JTH (10)	T	145.3/66.6
R125	7030015970	S.RES RMC1/16S-103JTH (10 k)	T	150.3/60.5
R126	7030016250	S.RES RMC1/16S-220JTH (22)	T	147.3/62.4
R127	7030016250	S.RES RMC1/16S-220JTH (22)	T	145.3/61.9

REF NO.	PART NO.	DESCRIPTION	M.	H/V LOCATION
R128	7030016250	S.RES RMC1/16S-220JTH (22)	T	147.3/61.3
R129	7030016250	S.RES RMC1/16S-220JTH (22)	T	145.3/60.7
R130	7030016250	S.RES RMC1/16S-220JTH (22)	T	147.3/60.2
R131	7030016250	S.RES RMC1/16S-220JTH (22)	T	145.3/59.6
R132	7030016250	S.RES RMC1/16S-220JTH (22)	T	147.3/59.1
R133	7030016250	S.RES RMC1/16S-220JTH (22)	T	145.3/58.5
R134	7030016250	S.RES RMC1/16S-220JTH (22)	T	147.3/58.0
R135	7030016250	S.RES RMC1/16S-220JTH (22)	T	145.3/57.4
R136	7030016250	S.RES RMC1/16S-220JTH (22)	T	147.4/56.9
R137	7030016250	S.RES RMC1/16S-220JTH (22)	T	145.3/56.3
R140	7030015970	S.RES RMC1/16S-103JTH (10 k)	T	173.7/46.6
R141	7030018420	S.RES RMC1/16K562FTP (5.6 k)	T	161.3/43.0
R150	7030016060	S.RES RMC1/16S-105JTH (1 M)	T	165.0/44.5
R151	7030015930	S.RES RMC1/16S-471JTH (470)	T	160.5/42.5
R158	7030015970	S.RES RMC1/16S-103JTH (10 k)	T	179.8/37.3
R159	7030015970	S.RES RMC1/16S-103JTH (10 k)	T	186.6/39.3
R160	7030015970	S.RES RMC1/16S-103JTH (10 k)	T	179.4/39.8
R161	7030015970	S.RES RMC1/16S-103JTH (10 k)	T	186.6/38.3
R162	7030015970	S.RES RMC1/16S-103JTH (10 k)	T	179.4/39.8
R163	7030016020	S.RES RMC1/16S-104JTH (100 k)	T	186.6/40.2
R164	7030016470	S.RES RMC1/16S-390JTH (39)	T	174.6/59.3
R165	7030016250	S.RES RMC1/16S-220JTH (22)	T	174.6/61.0
R166	7030016250	S.RES RMC1/16S-220JTH (22)	T	174.6/61.9
R167	7030016250	S.RES RMC1/16S-220JTH (22)	T	174.6/60.1
R168	7030016560	S.RES RMC1/16SJPTH	T	169.6/68.0
R171	7030016500	S.RES RMC1/16S-562JTH (5.6 k)	T	182.8/34.6
R172	7030015990	S.RES RMC1/16S-683JTH (68 k)	T	182.8/33.0
R173	7030015970	S.RES RMC1/16S-103JTH (10 k)	T	183.9/34.6
R181	7030016110	S.RES RMC1/16S-473JTH (47 k)	T	153.6/74.4
R182	7030016110	S.RES RMC1/16S-473JTH (47 k)	T	153.6/73.6
R183	7030016110	S.RES RMC1/16S-473JTH (47 k)	T	153.6/72.6
R184	7030016110	S.RES RMC1/16S-473JTH (47 k)	T	164.5/72.5
R185	7030016110	S.RES RMC1/16S-473JTH (47 k)	T	164.5/71.4
R186	7030016110	S.RES RMC1/16S-473JTH (47 k)	T	164.5/70.5
R191	7030016290	S.RES RMC1/16S-222JTH (2.2 k)	T	166.8/72.6
R192	7030016290	S.RES RMC1/16S-222JTH (2.2 k)	T	166.8/73.5
R201	7030016220	S.RES RMC1/16S-563JTH (56 k)	T	183.2/58.7
R202	7030016090	S.RES RMC1/16S-223JTH (22 k)	T	183.2/59.6
R203	7030016440	S.RES RMC1/16S-272JTH (2.7 k)	T	183.2/60.5
R204	7030016110	S.RES RMC1/16S-473JTH (47 k)	T	181.9/58.2
R252	7030016110	S.RES RMC1/16S-473JTH (47 k)	T	168.9/75.4
R253	7030015960	S.RES RMC1/16S-472JTH (4.7 k)	T	166.4/75.4
R254	7030015960	S.RES RMC1/16S-472JTH (4.7 k)	T	166.5/81.0
R281	7030016150	S.RES RMC1/16S-100JTH (10)	T	197.4/17.0
R282	7030016150	S.RES RMC1/16S-100JTH (10)	T	198.9/17.0
R285	7030016150	S.RES RMC1/16S-100JTH (10)	T	192.9/17.0
R286	7030016150	S.RES RMC1/16S-100JTH (10)	T	194.4/17.0
R289	7030015970	S.RES RMC1/16S-103JTH (10 k)	T	153.1/68.0
R301	7030016560	S.RES RMC1/16SJPTH	T	96.3/92.4
R302	7030016560	S.RES RMC1/16SJPTH	T	109.2/101.9
R303	7030016560	S.RES RMC1/16SJPTH	T	108.5/106.4
R304	7030015970	S.RES RMC1/16S-103JTH (10 k)	T	122.4/86.0
R305	7030016290	S.RES RMC1/16S-222JTH (2.2 k)	T	123.3/93.8
R308	7030016250	S.RES RMC1/16S-220JTH (22)	T	106.8/73.6
R310	7030016020	S.RES RMC1/16S-104JTH (100 k)	T	198.7/39.8
R311	7030016110	S.RES RMC1/16S-473JTH (47 k)	T	193.6/40.2
R312	7030016110	S.RES RMC1/16S-473JTH (47 k)	T	204.2/47.5
R313	7030016110	S.RES RMC1/16S-473JTH (47 k)	T	204.2/48.4
R314	7030016110	S.RES RMC1/16S-473JTH (47 k)</		

[MAIN UNIT]

REF NO.	PART NO.	DESCRIPTION	M.	H/V LOCATION
R444	7030016150	S.RES RMC1/16S-100JTH (10)	T	102.2/92.4
R445	7030016150	S.RES RMC1/16S-100JTH (10)	T	103.3/92.4
R446	7030016150	S.RES RMC1/16S-100JTH (10)	T	103.9/90.9
R447	7030016150	S.RES RMC1/16S-100JTH (10)	T	104.4/92.4
R448	7030015960	S.RES RMC1/16S-472JTH (4.7 k)	T	105.8/112.5
R449	7030015960	S.RES RMC1/16S-472JTH (4.7 k)	T	104.9/112.5
R450	7030015960	S.RES RMC1/16S-472JTH (4.7 k)	T	102.8/112.9
R451	7030016560	S.RES RMC1/16SJPTH	T	87.8/98.7
R452	7030016560	S.RES RMC1/16SJPTH	T	87.9/96.5
R453	7030016560	S.RES RMC1/16SJPTH	T	87.9/95.6
R454	7030016560	S.RES RMC1/16SJPTH	T	91.6/92.5
R455	7030016560	S.RES RMC1/16SJPTH	T	92.5/92.5
R456	7030016560	S.RES RMC1/16SJPTH	T	93.4/92.5
R457	7030016560	S.RES RMC1/16SJPTH	T	94.3/92.5
R458	7030016560	S.RES RMC1/16SJPTH	T	94.6/90.9
R506	7030016020	S.RES RMC1/16S-104JTH (100 k)	T	147.0/102.2
R507	7030016020	S.RES RMC1/16S-104JTH (100 k)	T	147.0/104.2
R508	7030016020	S.RES RMC1/16S-104JTH (100 k)	T	147.0/106.2
R509	7030016020	S.RES RMC1/16S-104JTH (100 k)	T	147.0/108.2
R514	7030016020	S.RES RMC1/16S-104JTH (100 k)	T	142.0/107.9
R515	7030016020	S.RES RMC1/16S-104JTH (100 k)	T	142.0/110.6
R516	7030016020	S.RES RMC1/16S-104JTH (100 k)	T	122.0/106.5
R518	7030016110	S.RES RMC1/16S-473JTH (47 k)	T	139.9/114.7
R520	7030016020	S.RES RMC1/16S-104JTH (100 k)	T	128.2/92.9
R522	7030016020	S.RES RMC1/16S-104JTH (100 k)	T	127.3/92.9
R529	7030016020	S.RES RMC1/16S-104JTH (100 k)	T	139.0/112.5
R531	7030016250	S.RES RMC1/16S-220JTH (22)	T	125.0/104.5
R532	7030016250	S.RES RMC1/16S-220JTH (22)	T	125.0/105.5
R533	7030016150	S.RES RMC1/16S-100JTH (10)	T	125.0/107.5
R534	7030015970	S.RES RMC1/16S-103JTH (10 k)	T	138.1/112.5
R535	7030016150	S.RES RMC1/16S-100JTH (10)	T	125.0/109.5
R536	7030016150	S.RES RMC1/16S-100JTH (10)	T	125.0/103.5
R537	7030016150	S.RES RMC1/16S-100JTH (10)	T	125.0/102.4
R538	7030016020	S.RES RMC1/16S-104JTH (100 k)	T	118.9/102.0
R539	7410001140	S.ARR EXB28V104JX	T	122.1/97.0
R540	7030016020	S.RES RMC1/16S-104JTH (100 k)	T	118.9/102.9
R541	7030015960	S.RES RMC1/16S-472JTH (4.7 k)	T	134.3/121.5
R543	7030015960	S.RES RMC1/16S-472JTH (4.7 k)	T	132.8/114.5
R545	7030015960	S.RES RMC1/16S-472JTH (4.7 k)	T	136.3/121.5
R547	7030016020	S.RES RMC1/16S-104JTH (100 k)	T	122.0/105.5
R548	7030016020	S.RES RMC1/16S-104JTH (100 k)	T	122.0/104.5
R551	7030016250	S.RES RMC1/16S-220JTH (22)	T	125.0/106.5
R552	7030016150	S.RES RMC1/16S-100JTH (10)	T	125.0/108.5
R553	7030016150	S.RES RMC1/16S-100JTH (10)	T	125.0/110.5
R554	7410001240	S.ARR EXB28V220JX	T	125.0/98.0
R555	7410001240	S.ARR EXB28V220JX	T	125.0/100.5
R556	7030016250	S.RES RMC1/16S-220JTH (22)	T	139.9/112.5
R558	7030015910	S.RES RMC1/16S-101JTH (100)	T	118.5/100.8
R559	7030015910	S.RES RMC1/16S-101JTH (100)	T	118.5/104.1
R561	7030016020	S.RES RMC1/16S-104JTH (100 k)	T	118.9/98.3
R562	7030016020	S.RES RMC1/16S-104JTH (100 k)	T	130.0/92.9
R563	7030016020	S.RES RMC1/16S-104JTH (100 k)	T	129.1/92.9
R571	7030016800	S.RES RMC1/16SK104FTH (100 k)	T	133.6/112.5
R572	7030016020	S.RES RMC1/16S-104JTH (100 k)	T	130.9/112.5
R573	7030016020	S.RES RMC1/16S-104JTH (100 k)	T	131.8/112.5
R574	7030016020	S.RES RMC1/16S-104JTH (100 k)	T	135.4/112.5
R575	7030016020	S.RES RMC1/16S-104JTH (100 k)	T	136.3/112.5
R576	7030016020	S.RES RMC1/16S-104JTH (100 k)	T	129.1/112.5
R577	7030016040	S.RES RMC1/16S-224JTH (220 k)	T	121.4/101.6
R578	7030016040	S.RES RMC1/16S-224JTH (220 k)	T	121.4/101.5
R579	7030016040	S.RES RMC1/16S-224JTH (220 k)	T	121.4/99.7
R580	7030016040	S.RES RMC1/16S-224JTH (220 k)	T	121.4/98.8
R583	7030016040	S.RES RMC1/16S-224JTH (220 k)	T	121.4/102.4
R584	7030016040	S.RES RMC1/16S-224JTH (220 k)	T	122.0/103.5
R1002	7030015910	S.RES RMC1/16S-101JTH (100)	T	77.9/134.5
R1004	7030017120	S.RES RGC1/16SC103DTH (10.0 k)	T	77.9/137.4
R1005	7030016840	S.RES RGC1/16SC682DTH (6.80 k)	T	79.2/136.9
R1006	7030018480	S.RES RGC1/16SC563DTH (56.0 k)	T	77.9/139.2
R1007	7030016380	S.RES RMC1/16S-183JTH (18 k)	T	77.9/140.1
R1008	7030016560	S.RES RMC1/16SJPTH	T	76.6/140.5
R1011	7030016560	S.RES RMC1/16SJPTH	T	108.2/140.8
R1012	7030016910	S.RES RGC1/16SC393DTH (39 k)	T	107.2/140.0
R1013	7030016880	S.RES RGC1/16SC223DTH (22.0 k)	T	107.2/142.0
R1021	7030016110	S.RES RMC1/16S-473JTH (47 k)	T	166.5/134.1
R1041	7030016560	S.RES RMC1/16SJPTH	T	90.9/136.5
R1044	7030016890	S.RES RGC1/16SC363DTH (36 k)	T	88.5/134.3
R1045	7030016910	S.RES RGC1/16SC393DTH (39 k)	T	88.5/133.4
R1046	7030016890	S.RES RGC1/16SC363DTH (36 k)	T	88.5/136.1
R1047	7030016030	S.RES RMC1/16S-154JTH (150 k)	T	88.1/138.1
R1048	7030016050	S.RES RMC1/16S-102JTH (1 k)	T	89.7/135.5
R1051	7030016110	S.RES RMC1/16S-473JTH (47 k)	T	164.0/115.8
R1052	7030016050	S.RES RMC1/16S-102JTH (1 k)	T	164.6/13.5
R1053	7030016110	S.RES RMC1/16S-473JTH (47 k)	T	162.0/17.5
R1071	7030021080	S.RES RMC1/2-2R7JTE (2.7)	T	98.7/124.4
R1101	7030015910	S.RES RMC1/16S-101JTH (100)	T	63.0/134.1
R1103	7030016290	S.RES RMC1/16S-222JTH (22.2 k)	T	61.5/135.0
R1104	7030018480	S.RES RGC1/16SC563DTH (56.0 k)	T	63.0/135.0
R1105	7030016810	S.RES RGC1/16SC392DTH (3.90 k)	T	63.0/136.8
R1106	7030016810	S.RES RGC1/16SC392DTH (3.90 k)	T	63.0/137.7
R1111	7030016560	S.RES RMC1/16SJPTH	T	65.9/126.0
R1114	7030016890	S.RES RGC1/16SC363DTH (36 k)	T	66.8/128.1
R1115	7030018480	S.RES RGC1/16SC563DTH (56.0 k)	T	65.9/128.1
R1116	7030016910	S.RES RGC1/16SC393DTH (39 k)	T	65.0/128.1
R1117	7030016030	S.RES RMC1/16S-154JTH (150 k)	T	67.7/124.8
R1118	7030016050	S.RES RMC1/16S-102JTH (1 k)	T	67.3/126.9
R1119	7030015970	S.RES RMC1/16S-103JTH (10 k)	T	66.2/112.7
R1202	7030015910	S.RES RMC1/16S-101JTH (100)	T	87.2/120.1
R1204	7030016610	S.RES RGC1/16SC683DTH (68.0 k)	T	89.0/120.1
R1205	7030016810	S.RES RGC1/16SC392DTH (3.90 k)	T	90.3/121.0
R1206	7030017060	S.RES RGC1/16SC162DTH (1.6 k)	T	89.4/121.9
R1212	7030015910	S.RES RMC1/16S-101JTH (100)	T	62.2/122.9
R1214	7030016610	S.RES RGC1/16SC683DTH (68.0 k)	T	58.8/128.5
R1215	7030018480	S.RES RGC1/16SC563DTH (56.0 k)	T	60.6/128.5
R1216	7030016840	S.RES RGC1/16SC682DTH (6.80 k)	T	61.5/128.5
R1221	7030021110	S.RES RMC1-5R6JTE (5.6)	T	18.2/123.0
R1222	7030021110	S.RES RMC1-5R6JTE (5.6)	T	22.6/123.0

REF NO.	PART NO.	DESCRIPTION	M.	H/V LOCATION
R1261	7030013780	S.RES RCC16R020FTP	T	5.0/21.2
R1262	7030015910	S.RES RMC1/16S-101JTH (100)	T	7.2/22.6
R1263	7030021710	S.RES RG1608P-273-D-T5 (27 k)	T	5.0/17.3
R1264	7030021710	S.RES RG1608P-273-D-T5 (27 k)	T	6.3/18.1
R1265	7030021650	S.RES RG1608P-122-D-T5 (1.2 k)	T	7.6/18.1
R1321	7030021320	S.RES RMC1-1R5JTE (1.5)	B	57.6/60.0
R1331	7030016470	S.RES RMC1/16S-390JTH (39)	T	70.6/65.8
R1332	7030016470	S.RES RMC1/16S-390JTH (39)	T	70.6/64.9
R1333	7030016470	S.RES RMC1/16S-390JTH (39)	T	70.6/64.0
R1553	7030016250	S.RES RMC1/16S-220JTH (22)	T	168.5/142.0
R1554	7030016250	S.RES RMC1/16S-220JTH (22)	T	168.5/142.9
R1555	7030016020	S.RES RMC1/16S-104JTH (100 k)	T	168.5/141.1
R1558	7030016020	S.RES RMC1/16S-104JTH (100 k)	T	168.5/143.8
R1559	7030015970	S.RES RMC1/16S-103JTH (10 k)	T	168.5/144.7
R1560	7030015970	S.RES RMC1/16S-103JTH (10 k)	T	167.7/139.8
R1561	7030016060	S.RES RMC1/16S-105JTH (1 M)	T	158.3/142.7
R1562	7030015960	S.RES RMC1/16S-472JTH (4.7 k)	T	160.4/143.5
R1563	7030015970	S.RES RMC1/16S-103JTH (10 k)	T	158.3/144.3
R1615	7030016520	S.RES RMC1/16S-270JTH (27)	T	166.7/152.5
R1616	7030016520	S.RES RMC1/16S-270JTH (27)	T	167.6/152.5
R1621	7030016050	S.RES RMC1/16S-102JTH (1 k)	T	157.1/156.6
R1622	7030016110	S.RES RMC1/16S-473JTH (47 k)	T	158.2/151.5
R1901	7030015910	S.RES RMC1/16S-101JTH (100)	T	149.5/37.8
R1902	7030015910	S.RES RMC1/16S-101JTH (100)	T	149.5/38.7
R1903	7030015910	S.RES RMC1/16S-101JTH (100)	T	149.5/39.6
R1904	7030015910	S.RES RMC1/16S-101JTH (100)	T	149.5/40.5
R1905	7030015910	S.RES RMC1/16S-101JTH (100)	T	149.5/41.4
R1906	7030015910	S.RES RMC1/16S-101JTH (100)	T	149.5/42.3
R1907	7030015910	S.RES RMC1/16S-101JTH (100)	T	149.5/43.2
R1908	7030015910	S.RES RMC1/16S-101JTH (100)	T	149.5/44.1
R1909	7030016110	S.RES RMC1/16S-473JTH (47 k)	T	145.6/45.9
R1916	7030015950	S.RES RMC1/16S-152JTH (1.5 k)	T	148.1/44.5
R1917	7030016560	S.RES RMC1/16SJPTH	T	148.1/46.2
R1918	7030016270	S.RES RMC1/16S-151JTH (150)	T	144.1/37.3
R1919	7030016060	S.RES RMC1/16S-105JTH (1 M)	T	144.8/38.2
R1921	7030015910	S.RES RMC1/16S-101JTH (100)	T	144.7/45.9
R1922	7030015910	S.RES RMC1/16S-101JTH (100)	T	141.7/45.2
R1924	7030015970	S.RES RMC1/16S-103JTH (10 k)	T	142.1/36.9
R1925	7030017180	S.RES RMC1/16K1212FTP (12.1 k)	T	139.3/38.4
R2001	7030016560	S.RES RMC1/16SJPTH	T	178.4/66.5
R2002	7410001240	S.ARR EXB28V220JX	T	180.8/66.5
R2003	7410001240	S.ARR EXB28V220JX	T	185.9/66.5
R2004	7030016040	S.RES RMC1/16S-224JTH (220 k)	T	187.7/66.5
R2005	7030016560	S.RES RMC1/16SJPTH	T	177.4/66.5
R2011	7030016560	S.RES RMC1/16SJPTH	T	174.5/80.0
R2012	7030015910	S.RES RMC1/16S-101JTH (100)	T	174.5/81.0
R2021	7030016430	S.RES RMC1/16S-392JTH (3.9 k)	T	192.7/77.9
R2022	7030016050	S.RES RMC1/16S-102JTH (1 k)	T	190.3/77.0
R2023	7030016360	S.RES RMC1/16S-123JTH (12 k)	T	191.9/77.0
R2024	7030016430	S.RES RMC1/16S-392JTH (3.9 k)	T	193.1/77.5
R2025	7030015910	S.RES RMC1/16S-101JTH (100)	T	193.5/73.4
R2029	7030015910	S.RES RMC1/16S-101JTH (100)	T	188.4/69.4
R2031	7030016430	S.RES RMC1/16S-392JTH (3.9 k)	T	191.3/64.6
R2032	7030016050	S.RES RMC1/16S-102JTH (1 k)	T	189.7/66.7
R2033	7030016360	S.RES RMC1/16S-123JTH (12 k)	T	191.3/66.7
R2034	7030016430	S.RES RMC1/16S-392JTH (3.9 k)	T	192.5/67.1
R2035	7030015910	S.RES RMC1/16S-101JTH (100)	T	193.4/68.8
R2081	7030016020	S.RES RMC1/16S-104JTH (100 k)	T	193.2/55.9
R2082	7030016020	S.RES RMC1/16S-104JTH (100 k)	T	195.9/56.9
R2083	7030015910	S.RES RMC1/16S-101JTH (100)	T	195.9/58.7
R2084	7030016020	S.RES RMC1/16S-104JTH (100 k)	T	195.9/57.8
R2085	7030015970	S.RES RMC1/16S-103JTH (10 k)	T	198.8/56.4
R2086	7030016560	S.RES RMC1/16SJPTH	T	197.4/55.9
R2089	7030015910	S.RES RMC1/16S-101JTH (100)	T	192.4/61.5
R2101	7410001240	S.ARR EXB28V220JX	T	158.5/93.2
R2102	7030016250	S.RES RMC1/16S-220JTH (22)	T	158.5

[MAIN UNIT]

REF NO.	PART NO.	DESCRIPTION	M.	H/V LOCATION
R2551	7030016290	S.RES RMC1/16S-222JTH (2.2 k)	T	103.4/28.6
R2552	7030016080	S.RES RMC1/16S-822JTH (8.2 k)	T	100.5/30.5
R2553	7030016320	S.RES RMC1/16S-225JTH (2.2 M)	T	105.5/27.4
R2554	7030016560	S.RES RMC1/16SJPTH	T	105.0/28.6
R2555	7030015960	S.RES RMC1/16S-472JTH (4.7 k)	T	106.8/28.6
R2556	7030016020	S.RES RMC1/16S-104JTH (100 k)	T	106.4/27.4
R2557	7030016290	S.RES RMC1/16S-222JTH (2.2 k)	T	105.5/25.8
R2558	7030016000	S.RES RMC1/16S-823JTH (82 k)	T	106.8/25.3
R2559	7030016440	S.RES RMC1/16S-272JTH (2.7 k)	T	110.4/29.6
R2561	7030016710	S.RES RMC1/16S-106JTH (10 M)	T	77.2/26.7
R2562	7030016790	S.RES RMC1/16S-335JTH (3.3 M)	T	76.7/27.9
R2567	7030016300	S.RES RMC1/16S-332JTH (3.3 k)	T	86.9/25.1
R2568	7030016350	S.RES RMC1/16S-122JTH (1.2 k)	T	86.0/24.2
R2569	7030016090	S.RES RMC1/16S-223JTH (22 k)	T	88.1/25.6
R2571	7030015930	S.RES RMC1/16S-471JTH (470)	T	95.1/28.9
R2572	7030016200	S.RES RMC1/16S-274JTH (270 k)	T	94.6/27.6
R2573	7030015970	S.RES RMC1/16S-103JTH (10 k)	T	94.2/28.9
R2575	7030016100	S.RES RMC1/16S-334JTH (330 k)	T	95.1/25.9
R2581	7030015910	S.RES RMC1/16S-101JTH (100)	T	96.1/22.2
R2582	7030016400	S.RES RMC1/16S-564JTH (560 k)	T	95.1/23.9
R2583	7030016020	S.RES RMC1/16S-104JTH (100 k)	T	94.2/23.9
R2584	7030016110	S.RES RMC1/16S-473JTH (47 k)	T	92.8/23.5
R2585	7030016110	S.RES RMC1/16S-473JTH (47 k)	T	92.7/24.8
R2586	7030015970	S.RES RMC1/16S-103JTH (10 k)	T	94.2/25.9
R2587	7510001671	S.THR NTCG16 4BH 103JT	T	92.5/26.5
R2591	7030015930	S.RES RMC1/16S-471JTH (470)	T	115.2/23.1
R2592	7030016040	S.RES RMC1/16S-224JTH (220 k)	T	113.4/23.1
R2593	7030015970	S.RES RMC1/16S-103JTH (10 k)	T	114.3/23.8
R2594	7030016020	S.RES RMC1/16S-104JTH (100 k)	T	111.9/27.6
R2601	7030015970	S.RES RMC1/16S-103JTH (10 k)	T	91.3/25.1
R2602	7030016140	S.RES RMC1/16S-124JTH (120 k)	T	87.2/27.5
R2603	7030015910	S.RES RMC1/16S-101JTH (100)	T	87.2/26.6
R2605	7030015990	S.RES RMC1/16S-683JTH (68 k)	T	87.2/32.6
R2606	7030016200	S.RES RMC1/16S-274JTH (270 k)	T	86.8/28.7
R2607	7030016090	S.RES RMC1/16S-223JTH (22 k)	T	87.2/31.7
R2608	7030016150	S.RES RMC1/16S-100JTH (10)	T	90.4/25.1
R2610	7030015910	S.RES RMC1/16S-101JTH (100)	T	83.7/26.8
R2611	7030015910	S.RES RMC1/16S-101JTH (100)	T	74.9/33.4
R2612	7030016790	S.RES RMC1/16S-335JTH (3.3 M)	T	76.7/32.1
R2613	7030016310	S.RES RMC1/16S-155JTH (1.5 M)	T	75.3/32.5
R2614	7030016720	S.RES RMC1/16S-185JTH (1.8 M)	T	77.1/30.7
R2615	7030015990	S.RES RMC1/16S-683JTH (68 k)	T	75.3/30.7
R2617	7030016380	S.RES RMC1/16S-183JTH (18 k)	T	75.3/29.8
R2621	7030015970	S.RES RMC1/16S-103JTH (10 k)	T	111.4/13.7
R2622	7030015970	S.RES RMC1/16S-103JTH (10 k)	T	111.4/12.8
R2623	7030016020	S.RES RMC1/16S-104JTH (100 k)	T	109.9/12.1
R2624	7030015980	S.RES RMC1/16S-333JTH (33 k)	T	109.9/13.7
R2625	7030015970	S.RES RMC1/16S-103JTH (10 k)	T	110.4/17.6
R2626	7030015910	S.RES RMC1/16S-101JTH (100)	T	109.5/16.9
R2628	7030016560	S.RES RMC1/16SJPTH	T	109.5/15.3
R2630	7030015910	S.RES RMC1/16S-101JTH (100)	T	108.1/17.5
R2631	7030015970	S.RES RMC1/16S-103JTH (10 k)	T	101.2/12.8
R2632	7030015980	S.RES RMC1/16S-333JTH (33 k)	T	102.4/12.4
R2633	7030016110	S.RES RMC1/16S-473JTH (47 k)	T	103.3/12.4
R2634	7030016020	S.RES RMC1/16S-104JTH (100 k)	T	103.3/14.0
R2635	7030015970	S.RES RMC1/16S-103JTH (10 k)	T	104.5/17.8
R2636	7030015910	S.RES RMC1/16S-101JTH (100)	T	103.6/17.8
R2637	7030016560	S.RES RMC1/16SJPTH	T	102.8/11.2
R2638	7030016560	S.RES RMC1/16SJPTH	T	103.7/15.2
R2646	7030018130	S.RES RMC1/16SK472FTH (4.7 k)	T	163.5/20.6
R2647	7030016900	S.RES RMC1/16SK102FTH (1 k)	T	161.7/20.6
R2651	7030015910	S.RES RMC1/16S-101JTH (100)	T	147.8/30.1
R2652	7030008270	S.RES RR0510P-104-D (100 k)	T	140.5/29.3
R2653	7030008270	S.RES RR0510P-104-D (100 k)	T	141.4/29.3
R2654	7030016020	S.RES RMC1/16S-104JTH (100 k)	T	140.5/27.6
R2655	7030016110	S.RES RMC1/16S-473JTH (47 k)	T	141.4/27.6
R2656	7030008270	S.RES RR0510P-104-D (100 k)	T	142.3/29.3
R2657	7030008270	S.RES RR0510P-104-D (100 k)	T	149.7/28.7
R2658	7030016020	S.RES RMC1/16S-104JTH (100 k)	T	150.6/27.1
R2659	7030016020	S.RES RMC1/16S-104JTH (100 k)	T	149.7/27.1
R2660	7030008270	S.RES RR0510P-104-D (100 k)	T	148.8/28.7
R2661	7030016560	S.RES RMC1/16SJPTH	T	110.7/20.5
R2801	7410001230	S.ARR EXB28V101JX	T	112.0/53.2
R2802	7410001230	S.ARR EXB28V101JX	T	114.3/42.1
R2803	7030016290	S.RES RMC1/16S-222JTH (2.2 k)	T	138.8/20.1
R2804	7030016110	S.RES RMC1/16S-473JTH (47 k)	T	182.6/154.0
R2805	7030016110	S.RES RMC1/16S-473JTH (47 k)	T	181.0/154.0
R2811	7410001230	S.ARR EXB28V101JX	T	118.6/52.0
R2812	7410001230	S.ARR EXB28V101JX	T	119.3/42.1
R2821	7410001230	S.ARR EXB28V101JX	T	125.2/52.0
R2822	7410001230	S.ARR EXB28V101JX	T	125.9/42.1
R2851	7410001230	S.ARR EXB28V101JX	T	134.0/41.6
R2852	7410001230	S.ARR EXB28V101JX	T	131.5/41.6
R2853	7410001230	S.ARR EXB28V101JX	T	129.0/41.6
R2861	7030016020	S.RES RMC1/16S-104JTH (100 k)	T	138.0/31.3
R2863	7030016230	S.RES RMC1/16S-394JTH (390 k)	T	136.4/31.3
R2864	7030015910	S.RES RMC1/16S-101JTH (100)	T	136.0/32.6
R2870	7030015910	S.RES RMC1/16S-101JTH (100)	T	134.8/30.5
R2871	7030016110	S.RES RMC1/16S-473JTH (47 k)	T	137.8/25.4
R2872	7030016070	S.RES RMC1/16S-474JTH (470 k)	T	137.4/25.2
R2873	7030016000	S.RES RMC1/16S-823JTH (82 k)	T	136.2/24.3
R2874	7030015910	S.RES RMC1/16S-101JTH (100)	T	135.6/25.2
R2875	7030015970	S.RES RMC1/16S-103JTH (10 k)	T	135.2/22.8
R2876	7030016150	S.RES RMC1/16S-100JTH (10)	T	134.2/22.8
R2881	7030015930	S.RES RMC1/16S-471JTH (470)	T	121.3/126.8
R2961	7030019670	S.RES RMC1/16K392FTP (3.9 k)	T	129.8/34.7
R2962	7030019790	S.RES RMC1/16K334FTP (330 k)	T	129.8/36.2
R2963	7030019720	S.RES RMC1/16K222FTP (2.2 k)	T	127.8/35.5
R2964	7030018540	S.RES RMC1/16K563FTP (56 k)	T	115.6/35.3
R2965	7030018540	S.RES RMC1/16K563FTP (56 k)	T	117.5/35.6
R2966	7030018540	S.RES RMC1/16K563FTP (56 k)	T	129.8/37.5
R2967	7030018540	S.RES RMC1/16K563FTP (56 k)	T	127.8/38.2
R2968	7030018540	S.RES RMC1/16K563FTP (56 k)	T	115.1/37.2
R2969	7030019680	S.RES RMC1/16K393FTP (39 k)	T	116.3/37.2
R2971	7030015910	S.RES RMC1/16S-101JTH (100)	T	113.5/35.9
R3002	7030016560	S.RES RMC1/16SJPTH	T	65.2/43.4

REF NO.	PART NO.	DESCRIPTION	M.	H/V LOCATION
R3011	7030016050	S.RES RMC1/16S-102JTH (1 k)	T	59.6/39.3
R3012	7030016440	S.RES RMC1/16S-272JTH (2.7 k)	T	58.4/38.9
R3013	7030016200	S.RES RMC1/16S-182JTH (1.8 k)	T	60.8/39.8
R3014	7030016420	S.RES RMC1/16S-182JTH (1.8 k)	T	60.8/38.9
R3015	7030016410	S.RES RMC1/16S-561JTH (560)	T	66.8/41.0
R3016	7030016050	S.RES RMC1/16S-102JTH (1 k)	T	66.8/38.9
R3017	7030016160	S.RES RMC1/16S-820JTH (82)	T	70.1/39.9
R3018	7030016410	S.RES RMC1/16S-561JTH (560)	T	66.8/38.0
R3021	7030016050	S.RES RMC1/16S-102JTH (1 k)	T	59.6/33.2
R3022	7030016440	S.RES RMC1/16S-272JTH (2.7 k)	T	58.4/32.8
R3023	7030016420	S.RES RMC1/16S-182JTH (1.8 k)	T	60.8/33.7
R3024	7030016420	S.RES RMC1/16S-182JTH (1.8 k)	T	60.8/32.8
R3025	7030016410	S.RES RMC1/16S-561JTH (560)	T	66.8/34.9
R3026	7030016050	S.RES RMC1/16S-102JTH (1 k)	T	66.8/32.8
R3027	7030016160	S.RES RMC1/16S-820JTH (82)	T	70.1/33.8
R3028	7030016410	S.RES RMC1/16S-561JTH (560)	T	66.8/31.9
R3031	7030016050	S.RES RMC1/16S-102JTH (1 k)	T	59.3/24.6
R3032	7030016110	S.RES RMC1/16S-473JTH (47 k)	T	60.2/24.6
R3033	7030016130	S.RES RMC1/16S-150JTH (15)	T	61.6/26.3
R3041	7030016050	S.RES RMC1/16S-102JTH (1 k)	T	58.3/20.5
R3042	7030016440	S.RES RMC1/16S-272JTH (2.7 k)	T	57.1/21.0
R3043	7030016420	S.RES RMC1/16S-182JTH (1.8 k)	T	59.5/21.0
R3044	7030016420	S.RES RMC1/16S-182JTH (1.8 k)	T	59.5/20.1
R3045	7030016410	S.RES RMC1/16S-561JTH (560)	T	65.5/22.2
R3046	7030016050	S.RES RMC1/16S-102JTH (1 k)	T	65.5/20.1
R3047	7030016160	S.RES RMC1/16S-820JTH (82)	T	68.8/21.1
R3048	7030016410	S.RES RMC1/16S-561JTH (560)	T	67.1/18.6
R3052	7030016560	S.RES RMC1/16SJPTH	T	65.2/29.0
R3071	7030016370	S.RES RMC1/16S-271JTH (270)	T	83.8/14.5
R3072	7030016570	S.RES RMC1/16S-180JTH (18)	T	85.0/14.0
R3073	7030016370	S.RES RMC1/16S-271JTH (270)	T	83.8/13.6
R3141	7030016410	S.RES RMC1/16S-561JTH (560)	T	13.0/26.2
R3142	7030016560	S.RES RMC1/16SJPTH	T	15.5/21.2
R3143	7030016420	S.RES RMC1/16S-182JTH (1.8 k)	T	12.4/23.0
R3144	7030016420	S.RES RMC1/16S-182JTH (1.8 k)	T	12.4/24.6
R3145	7030016410	S.RES RMC1/16S-561JTH (560)	T	16.9/21.7
R3146	7030016050	S.RES RMC1/16S-102JTH (1 k)	T	17.3/22.7
R3147	7030016270	S.RES RMC1/16S-151JTH (150)	T	18.4/25.2
R3148	7030016410	S.RES RMC1/16S-561JTH (560)	T	17.6/26.4
R3149	7030016560	S.RES RMC1/16SJPTH	T	16.2/26.1
R3151	7030016270	S.RES RMC1/16S-151JTH (150)	T	17.9/27.8
R3152	7030016020	S.RES RMC1/16S-104JTH (100 k)	T	24.5/29.1
R3153	7030015970	S.RES RMC1/16S-103JTH (10 k)	T	25.4/28.1
R3161	7030015920	S.RES RMC1/16S-221JTH (220)	T	18.7/40.5
R3162	7030016020	S.RES RMC1/16S-104JTH (100 k)	T	19.2/45.1
R3163	7030016020	S.RES RMC1/16S-104JTH (100 k)	T	19.0/41.7
R3181	7030016560	S.RES RMC1/16SJPTH	T	16.3/43.4
R3501	7030007090	S.RES MCR100JZHJ 4.7 (4R7)	B	43.9/31.3
R3511	7030007090	S.RES MCR100JZHJ 4.7 (4R7)	B	29.2/27.2
R5101	7030014990	S.RES RMC1/16-680JTP (68)	T	8.5/148.6
R5102	7030014990	S.RES RMC1/16-680JTP (68)	T	10.9/148.6
R5103	7030014990	S.RES RMC1/16-680JTP (68)	T	9.7/148.6
R5104	7030014990	S.RES RMC1/16-680JTP (68)	T	13.3/148.6
R5105	7030015520	S.RES RMC1/16JPTP	T	12.1/148.6
R5106	7030015520	S.RES RMC1/16JPTP	T	14.5/148.6
R5107	7030014990	S.RES RMC1/16-680JTP (68)	T	15.7/148.6
R5108	7030015520	S.RES RMC1/16-332JTP (3.3 k)	T	21.6/133.1
R5109	7030015190	S.RES RMC1/16-332JTP (3.3 k)	T	20.3/134.6
R5110	7030016110	S.RES RMC1/16S-473JTH (47 k)	T	7.0/136.5
R5112	7030016110	S.RES RMC1/16S-473JTH (47 k)	T	19.6/140.1
R5113	7030016110	S.RES RMC1/16S-473JTH (47 k)	T	11.6/132.8
R5201	7030016110	S.RES RMC1/16S-473JTH (47 k)	T	148.5/141.1
R5202	7030016110	S.RES RMC1/16S-473JTH (47 k)	T	149.8/138.5
R5203	7030016110	S.RES RMC1/16S-473JTH (47 k)	T	150.7/138.5
R5211	7030016110	S.RES RMC1/16S-473JTH (47 k)	T	143.0/141.2
R5212	7030016110	S.RES RMC1/16S-473JTH (47 k)	T	144.4/138.5
R5213	7030016110			

[MAIN UNIT]

REF NO.	PART NO.	DESCRIPTION	M.	H/V LOCATION	REF NO.	PART NO.	DESCRIPTION	M.	H/V LOCATION
R7356	7030016510	S.RES RMC1/16S-4R7JTH (4.7)	T	23.3/101.3	R8811	7030015970	S.RES RMC1/16S-103JTH (10 k)	T	23.5/109.0
R7357	7030015910	S.RES RMC1/16S-101JTH (100)	T	24.5/101.7	R8812	7030015900	S.RES RMC1/16S-470JTH (47)	T	28.6/110.5
R7501	7030016050	S.RES RMC1/16S-102JTH (1 k)	T	22.5/103.7	R8813	7030016050	S.RES RMC1/16S-102JTH (1 k)	T	20.8/109.0
R7510	7030015910	S.RES RMC1/16S-101JTH (100)	T	29.7/93.1	R8814	7030015970	S.RES RMC1/16S-103JTH (10 k)	T	23.4/115.2
R7511	7030015900	S.RES RMC1/16S-470JTH (47)	T	57.5/73.0	R8821	7030015970	S.RES RMC1/16S-103JTH (10 k)	T	16.2/114.4
R7512	7030015900	S.RES RMC1/16S-470JTH (47)	T	57.5/75.1	R9006	7030015910	S.RES RMC1/16S-101JTH (100)	T	19.3/9.8
R7513	7030016510	S.RES RMC1/16S-4R7JTH (4.7)	T	29.3/91.9	R9010	7030015910	S.RES RMC1/16S-101JTH (100)	T	15.3/9.8
R7514	7030016510	S.RES RMC1/16S-4R7JTH (4.7)	T	30.2/91.9	R9106	7030015910	S.RES RMC1/16S-101JTH (100)	T	124.5/9.8
R7903	7030015970	S.RES RMC1/16S-103JTH (10 k)	T	65.6/108.8	R9107	7030015910	S.RES RMC1/16S-101JTH (100)	T	123.5/9.8
R7904	7030015970	S.RES RMC1/16S-103JTH (10 k)	T	74.2/108.0	R9108	7030015910	S.RES RMC1/16S-101JTH (100)	T	122.5/9.8
R7905	7030016560	S.RES RMC1/16SJPTH	T	53.6/105.2	R9109	7030015910	S.RES RMC1/16S-101JTH (100)	T	121.5/9.8
R7931	7410001240	S.ARR EXB28V220JX	T	49.5/105.7	R9110	7030015910	S.RES RMC1/16S-101JTH (100)	T	120.5/9.8
R7932	7030016050	S.RES RMC1/16S-102JTH (1 k)	T	46.0/105.8	R9116	7030015910	S.RES RMC1/16S-101JTH (100)	T	119.0/16.1
R7933	7510001551	S.THE NTCG16 4LH 333JT	T	56.5/108.0	R9203	7030016250	S.RES RMC1/16S-220JTH (22)	T	177.9/9.8
R7934	7030016420	S.RES RMC1/16S-182JTH (1.8 k)	T	58.6/108.0	R9204	7030016250	S.RES RMC1/16S-220JTH (22)	T	177.4/16.1
R8101	7030016250	S.RES RMC1/16S-220JTH (22)	T	73.2/81.5	R9205	7030016250	S.RES RMC1/16S-220JTH (22)	T	176.9/9.8
R8102	7030016250	S.RES RMC1/16S-220JTH (22)	T	84.5/108.8	R9206	7030016250	S.RES RMC1/16S-220JTH (22)	T	176.4/16.1
R8103	7030016250	S.RES RMC1/16S-220JTH (22)	T	84.5/106.6	R9207	7030016250	S.RES RMC1/16S-220JTH (22)	T	175.9/9.8
R8104	7030016250	S.RES RMC1/16S-220JTH (22)	T	83.0/107.2	R9210	7030015910	S.RES RMC1/16S-101JTH (100)	T	174.4/16.1
R8105	7030016250	S.RES RMC1/16S-220JTH (22)	T	84.5/107.7	R9211	7030015910	S.RES RMC1/16S-101JTH (100)	T	173.9/9.8
R8106	7030016250	S.RES RMC1/16S-220JTH (22)	T	83.0/98.4	R9213	7030015910	S.RES RMC1/16S-101JTH (100)	T	172.9/9.8
R8107	7030016560	S.RES RMC1/16SJPTH	T	71.9/109.3	R9214	7030015910	S.RES RMC1/16S-101JTH (100)	T	171.9/9.8
R8108	7030016250	S.RES RMC1/16S-220JTH (22)	T	83.0/106.1	R9337	7030015910	S.RES RMC1/16S-101JTH (100)	T	149.8/8.7
R8109	7030016250	S.RES RMC1/16S-220JTH (22)	T	83.0/108.3	R9401	7030015910	S.RES RMC1/16S-101JTH (100)	T	154.2/15.7
R8110	7030016560	S.RES RMC1/16SJPTH	T	83.0/96.2	R9402	7030015910	S.RES RMC1/16S-101JTH (100)	T	153.8/8.7
R8111	7030016250	S.RES RMC1/16S-220JTH (22)	T	84.5/103.3	R9403	7030016520	S.RES RMC1/16S-270JTH (27)	T	153.2/15.7
R8112	7030016250	S.RES RMC1/16S-220JTH (22)	T	83.0/102.2	R9404	7030016520	S.RES RMC1/16S-270JTH (27)	T	152.8/8.7
R8113	7030016560	S.RES RMC1/16SJPTH	T	84.5/96.7	R9405	7030016520	S.RES RMC1/16S-270JTH (27)	T	151.8/8.7
R8114	7030016250	S.RES RMC1/16S-220JTH (22)	T	84.5/100.0	R9406	7030016520	S.RES RMC1/16S-270JTH (27)	T	152.2/15.7
R8115	7030016150	S.RES RMC1/16S-100JTH (10)	T	84.5/87.8	R9407	7030016520	S.RES RMC1/16S-270JTH (27)	T	151.3/15.7
R8116	7030016150	S.RES RMC1/16S-100JTH (10)	T	83.0/89.5	R9408	7030016520	S.RES RMC1/16S-270JTH (27)	T	150.9/8.7
R8117	7030015910	S.RES RMC1/16S-101JTH (100)	T	78.6/111.2	R9409	7030016110	S.RES RMC1/16S-473JTH (47 k)	T	154.2/17.6
R8118	7030016560	S.RES RMC1/16SJPTH	T	84.5/93.4	R9410	7030016110	S.RES RMC1/16S-473JTH (47 k)	T	153.8/8.7
R8119	7030015910	S.RES RMC1/16S-101JTH (100)	T	79.6/111.2	R9411	7030016110	S.RES RMC1/16S-473JTH (47 k)	T	153.2/17.6
R8120	7030016250	S.RES RMC1/16S-220JTH (22)	T	83.0/105.0	R9412	7030016110	S.RES RMC1/16S-473JTH (47 k)	T	152.8/8.7
R8121	7030016250	S.RES RMC1/16S-220JTH (22)	T	83.0/99.5	R9413	7030016110	S.RES RMC1/16S-473JTH (47 k)	T	152.2/17.6
R8122	7030016150	S.RES RMC1/16S-100JTH (10)	T	84.5/86.7	R9414	7030016110	S.RES RMC1/16S-473JTH (47 k)	T	151.3/17.6
R8123	7030016150	S.RES RMC1/16S-100JTH (10)	T	83.0/86.2	R9415	7030016110	S.RES RMC1/16S-473JTH (47 k)	T	150.9/8.7
R8124	7030016150	S.RES RMC1/16S-100JTH (10)	T	84.5/88.9	R9416	7030015910	S.RES RMC1/16S-101JTH (100)	T	148.9/15.6
R8125	7030016250	S.RES RMC1/16S-220JTH (22)	T	83.0/100.6	R9417	7030015910	S.RES RMC1/16S-101JTH (100)	T	149.8/15.6
R8126	7030016150	S.RES RMC1/16S-100JTH (10)	T	84.5/91.1	R9418	7030016520	S.RES RMC1/16S-270JTH (27)	T	136.9/18.2
R8127	7030016250	S.RES RMC1/16S-220JTH (22)	T	84.5/98.9	R9419	7030016520	S.RES RMC1/16S-270JTH (27)	T	147.6/6.6
R8128	7030016150	S.RES RMC1/16S-100JTH (10)	T	83.0/91.7	R9420	7030016520	S.RES RMC1/16S-270JTH (27)	T	148.8/6.6
R8129	7030016150	S.RES RMC1/16S-100JTH (10)	T	83.0/87.3	R9421	7030016520	S.RES RMC1/16S-270JTH (27)	T	142.9/6.6
R8130	7030016150	S.RES RMC1/16S-100JTH (10)	T	84.5/92.2	R9422	7030016520	S.RES RMC1/16S-270JTH (27)	T	140.8/6.6
R8131	7030016150	S.RES RMC1/16S-100JTH (10)	T	84.5/90.0	R9423	7030015910	S.RES RMC1/16S-101JTH (100)	T	138.9/8.7
R8132	7030016150	S.RES RMC1/16S-100JTH (10)	T	83.0/84.0	R9424	7030016520	S.RES RMC1/16S-270JTH (27)	T	139.7/18.2
R8133	7030016150	S.RES RMC1/16S-100JTH (10)	T	83.0/90.6	R9425	7030015910	S.RES RMC1/16S-101JTH (100)	T	142.0/15.6
R8134	7030016150	S.RES RMC1/16S-100JTH (10)	T	83.0/88.4	R9426	7030015910	S.RES RMC1/16S-101JTH (100)	T	141.9/8.7
R8135	7030016150	S.RES RMC1/16S-100JTH (10)	T	84.5/85.6	R9427	7030015910	S.RES RMC1/16S-101JTH (100)	T	139.8/8.7
R8136	7030016150	S.RES RMC1/16S-100JTH (10)	T	84.5/84.5	R9428	7030016520	S.RES RMC1/16S-270JTH (27)	T	140.9/18.2
R8137	7030016150	S.RES RMC1/16S-100JTH (10)	T	83.0/85.1	R9429	7030015910	S.RES RMC1/16S-101JTH (100)	T	138.8/18.2
R8138	7030016250	S.RES RMC1/16S-220JTH (22)	T	84.5/105.5	R9430	7030015910	S.RES RMC1/16S-101JTH (100)	T	142.9/15.6
R8139	7030016560	S.RES RMC1/16SJPTH	T	83.0/92.8	R9431	7030016560	S.RES RMC1/16SJPTH	T	146.7/15.7
R8140	7030016250	S.RES RMC1/16S-220JTH (22)	T	88.9/74.2	R9432	7030016560	S.RES RMC1/16SJPTH	T	145.8/15.6
R8141	7030016250	S.RES RMC1/16S-220JTH (22)	T	91.6/74.2	R9433	7030016560	S.RES RMC1/16SJPTH	T	144.8/15.6
R8142	7030016250	S.RES RMC1/16S-220JTH (22)	T	92.5/74.2	R9434	7030016560	S.RES RMC1/16SJPTH	T	143.9/15.6
R8143	7030016250	S.RES RMC1/16S-220JTH (22)	T	90.7/74.2	R9435	7030016520	S.RES RMC1/16S-270JTH (27)	T	137.9/18.2
R8144	7030016250	S.RES RMC1/16S-220JTH (22)	T	89.8/74.2	R9436	7030016020	S.RES RMC1/16S-104JTH (100 k)	T	141.9/6.8
R8145	7030016020	S.RES RMC1/16S-104JTH (100 k)	T	82.9/97.4	R9451	7030016560	S.RES RMC1/16SJPTH	T	198.9/14.4
R8301	7030017800	S.RES RMC1/16S-202JTH (2 k)	T	78.2/108.7	R9452	7030016560	S.RES RMC1/16SJPTH	T	197.4/14.4
R8601	7030016050	S.RES RMC1/16S-102JTH (1 k)	T	110.9/35.6	R9453	7030016560	S.RES RMC1/16SJPTH	T	194.4/14.4
R8604	7030016360	S.RES RMC1/16S-123JTH (12 k)	T	107.6/40.5	R9454	7030016560	S.RES RMC1/16SJPTH	T	192.9/14.4
R8606	7030015920	S.RES RMC1/16S-221JTH (220)	T	104.0/40.6	R9501	7030016050	S.RES RMC1/16S-102JTH (1 k)	T	197.3/121.0
R8607	7030016170	S.RES RMC1/16S-560JTH (56)	T	104.7/36.7	R9601	7410001140	S.ARR EXB28V104JX	T	196.9/27.5
R8608	7030015900	S.RES RMC1/16S-470JTH (47)	T	101.9/40.7	R9602	7410001130	S.ARR EXB28V102JX	T	196.9/24.5
R8609	7030015930	S.RES RMC1/16S-471JTH (470)	T	100.6/41.6	R9603	7410001140	S.ARR EXB28V104JX	T	199.7/24.5
R8621	7030016440	S.RES RMC1/16S-272JTH (2.7 k)	T	100.6/40.4	R9604	7410001130	S.ARR EXB28V102JX	T	199.7/27.5
R8622	7030016280	S.RES RMC1/16S-331JTH (330)	T	102.0/38.1	R9605	7410001140	S.ARR EXB28V104JX	T	161.7/22.4
R8623	7030016050	S.RES RMC1/16S-102JTH (1 k)	T	98.9/39.5	R9606	7410001130	S.ARR EXB28V102JX	T	164.7/22.4
R8624	7030016580	S.RES RMC1/16S-6R8JTH (6.8)	T	98.9/37.7	R9701	7030016560	S.RES RMC1/16SJPTH	T	126.7/40.2
R8641	7030016440	S.RES RMC1/16S-272JTH (2.7 k)	T	80.2/38.2	R9703	7030016560	S.RES RMC1/16SJPTH	T	193.4/24.4
R8642	7030016370	S.RES RMC1/16S-271JTH (270)	T	81.8/39.1					
R8643	7030016050	S.RES RMC1/16S-102JTH (1 k)	T	78.6/39.1					
R8644	7030016600	S.RES RMC1/16S-8R2JTH (8.2)	T	79.7/40.0	C1	4030023030	S.CER 0402B103K250CT	B	166.3/47.9
R8661	7030016440	S.RES RMC1/16S-272JTH (2.7 k)	T	87.7/62.4	C2	4030023030	S.CER 0402B103K250CT	B	166.1/46.1
R8662	7030016490	S.RES RMC1/16S-391JTH (390)	T	86.5/63.7	C3	4030023030	S.CER 0402B103K250CT	B	168.1/44.8
R8663	7030016050	S.RES RMC1/16S-102JTH (1 k)	T	89.1/63.5	C4	4030023030	S.CER 0402B103K250CT	B	169.4/47.0
R8664	7030016650	S.RES RMC1/16S-5R6JTH (5.6)	T	89.1/65.1	C5	4030023030	S.CER 0402B103K250CT	B	167.2/45.0
R8665	7030015910	S.RES RMC1/16S-101JTH (100)	T	63.8/70.3	C6	4030023030	S.CER 0402B103K250CT	B	165.5/47.0
R8692	7030015970	S.RES RMC1/16S-103JTH (10 k)	T	88.2/43.0	C101	4030023010	S.CER 0402B104K160CT	T	172.1/43.5
R8693	7030015900	S.RES RMC1/16S-470JTH (47)	T	89.6/52.6	C102	4030026580	S.CER RF15N150J500CT	T	163.6/40.3
R8694	7030015900	S.RES RMC1/16S-470JTH (47)	T	87.7/52.6	C103	4030026580	S.CER RF15N150J500CT	T	166.7/41.9
R8695	7030015900	S.RES RMC1/16S-470JTH (47)	T	85.3/52.2	C104	4030023010	S.CER 0402B104K160CT	T	171.1/43.5
R8700	7030012340	S.RES RR0510P-821-D	T	68.2/49.6	C105	4030023010	S.CER 0402B104K160CT	B	168.0/49.3
R8701	7030022260	S.RES RG1608P-271-D-T5 (270)	T	73.9/55.3	C106	4030023010	S.CER 0402B104K160CT	B	164.2/63.4
R8702	7030008061	S.RES ERA3YED 22V (2.2 k)	T	72.1/56.1	C107	4030023010	S.CER 0402B104K160CT	B	163.3/63.4
R8703	7030008250	S.RES RR0510P-562-D (5.6 k)	T	68.7/50.8	C108	4030023010	S.CER 0402B104K160CT	B	169.2/62.3
R8704	7030009190	S.RES RR0510P-332-D (3.3 k)	T	67.8/50.8	C109	4030023010	S.CER 0402B104K160CT	B	168.7/63.2
R8705	7410001240	S.ARR EXB28V220JX	T	69.6/61.5	C110	4030023010	S.CER 0402B104K160CT	B	158.9/59.3
R8706	7030017610	S.RES RMC1/16SK221FTH (220)	T	62.0/49.2	C111	4030023010	S.CER 0402B104K160CT	B	159.8/59.3
R8707	7030017610	S.RES RMC1/16SK221FTH (220)	T	62.0/51.2	C112	4030023010	S.CER 0402B1		

[MAIN UNIT]

REF NO.	PART NO.	DESCRIPTION	M.	H/V LOCATION
C127	4030023010	S.CER 0402B104K160CT	B	154.7/46.3
C128	4030023010	S.CER 0402B104K160CT	B	154.7/45.4
C129	4030023010	S.CER 0402B104K160CT	B	163.7/45.6
C130	4030023010	S.CER 0402B104K160CT	B	170.1/44.7
C131	4030023010	S.CER 0402B104K160CT	B	170.5/46.5
C132	4030019560	S.CER GRM21BB31C106KE15L	B	157.9/62.2
C133	4030019560	S.CER GRM21BB31C106KE15L	T	173.7/43.7
C134	4030023010	S.CER 0402B104K160CT	B	151.0/65.0
C135	4030023010	S.CER 0402B104K160CT	B	153.6/65.9
C136	4030023010	S.CER 0402B104K160CT	B	156.1/59.2
C137	4030023010	S.CER 0402B104K160CT	B	157.6/58.6
C138	4030023010	S.CER 0402B104K160CT	B	159.4/61.9
C139	4030023010	S.CER 0402B104K160CT	B	164.6/61.2
C140	4030023010	S.CER 0402B104K160CT	B	166.8/57.1
C141	4030023010	S.CER 0402B104K160CT	B	166.8/56.2
C142	4030023010	S.CER 0402B104K160CT	B	157.2/55.9
C143	4030023010	S.CER 0402B104K160CT	B	158.5/51.8
C144	4030023010	S.CER 0402B104K160CT	B	156.0/51.8
C145	4030023010	S.CER 0402B104K160CT	B	167.8/52.1
C146	4030023010	S.CER 0402B104K160CT	B	166.2/51.6
C147	4030023010	S.CER 0402B104K160CT	B	166.2/50.6
C148	4030023010	S.CER 0402B104K160CT	B	161.8/50.8
C149	4030023010	S.CER 0402B104K160CT	B	163.4/48.2
C150	4030019560	S.CER GRM21BB31C106KE15L	B	160.5/47.5
C151	4030019560	S.CER GRM21BB31C106KE15L	B	152.3/62.7
C159	4030023090	S.CER GRM2102K500CT	T	160.3/43.4
C160	4030022560	S.CER 0402N5R0B500CT	T	151.3/50.8
C171	4030022950	S.CER 0402B273K100CT	T	179.8/30.2
C172	4030023010	S.CER 0402B104K160CT	T	181.9/33.0
C181	4030023010	S.CER 0402B104K160CT	T	159.9/75.2
C182	4030023090	S.CER 0402B102K500CT	T	150.4/73.0
C186	4030022560	S.CER 0402N5R0B500CT	B	141.9/51.7
C191	4030023010	S.CER 0402B104K160CT	T	167.3/71.4
C201	4030023010	S.CER 0402B104K160CT	T	181.9/60.1
C202	4030023030	S.CER 0402B103K250CT	T	179.1/57.4
C251	4030025410	S.CER GRM188B31E105KAADD	T	168.5/80.7
C281	4030022630	S.CER 0402N100C500CT	T	197.0/18.3
C282	4030022630	S.CER 0402N100C500CT	T	199.4/18.3
C285	4030022630	S.CER 0402N100C500CT	T	192.5/18.3
C286	4030022630	S.CER 0402N100C500CT	T	194.9/18.3
C287	4030022480	S.CER GRM188B31A106ME69D	T	168.5/81.9
C301	4030023010	S.CER 0402B104K160CT	T	87.9/97.4
C302	4030023010	S.CER 0402B104K160CT	T	90.7/92.5
C303	4030023010	S.CER 0402B104K160CT	T	102.8/90.9
C304	4030023010	S.CER 0402B104K160CT	T	105.3/92.4
C305	4030023010	S.CER 0402B104K160CT	T	107.8/98.5
C306	4030023010	S.CER 0402B104K160CT	T	108.1/108.5
C307	4030023010	S.CER 0402B104K160CT	T	104.0/112.5
C308	4030023010	S.CER 0402B104K160CT	T	95.7/112.7
C309	4030023010	S.CER 0402B104K160CT	T	88.5/106.1
C310	4030019560	S.CER GRM21BB31C106KE15L	T	88.3/110.6
C311	4030019560	S.CER GRM21BB31C106KE15L	T	188.1/43.3
C312	4030023010	S.CER 0402B104K160CT	T	191.4/41.5
C313	4030023010	S.CER 0402B104K160CT	T	196.0/39.8
C314	4030023010	S.CER 0402B104K160CT	T	189.5/44.3
C315	4030023010	S.CER 0402B104K160CT	T	200.6/49.8
C316	4030023010	S.CER 0402B104K160CT	T	188.7/52.8
C317	4030023090	S.CER 0402B102K500CT	T	86.9/110.6
C321	4030023030	S.CER 0402B103K250CT	T	196.9/39.8
C322	4030023030	S.CER 0402B103K250CT	T	197.8/39.8
C324	4030023030	S.CER 0402B103K250CT	T	204.2/44.8
C325	4030023030	S.CER 0402B103K250CT	T	204.2/45.7
C326	4030023030	S.CER 0402B103K250CT	T	204.2/46.6
C331	4030023010	S.CER 0402B104K160CT	T	109.6/111.4
C502	4030025410	S.CER GRM188B31E105KAADD	T	129.8/112.5
C505	4030021580	S.CER GRM188B31E225KA12D	T	130.8/120.5
C508	4030023010	S.CER 0402B104K160CT	T	142.0/101.3
C510	4030025410	S.CER GRM188B31E105KAADD	T	143.5/105.7
C512	4030023010	S.CER 0402B104K160CT	T	142.0/100.4
C513	4030023010	S.CER 0402B104K160CT	T	142.0/103.8
C514	4030025410	S.CER GRM188B31E105KAADD	T	143.5/101.1
C515	4030023010	S.CER 0402B104K160CT	T	144.6/101.1
C516	4030023010	S.CER 0402B104K160CT	T	140.8/112.5
C517	4030023010	S.CER 0402B104K160CT	T	132.7/112.5
C518	4030025410	S.CER GRM188B31E105KAADD	T	136.7/96.9
C531	4030019560	S.CER GRM21BB31C106KE15L	B	135.5/100.8
C532	4030019560	S.CER GRM21BB31C106KE15L	B	142.5/101.3
C533	4030019560	S.CER GRM21BB31C106KE15L	B	129.0/101.6
C534	4030019560	S.CER GRM21BB31C106KE15L	T	125.0/113.7
C535	4030023010	S.CER 0402B104K160CT	T	127.0/103.5
C536	4030023010	S.CER 0402B104K160CT	T	127.3/112.5
C537	4030023010	S.CER 0402B104K160CT	T	128.2/112.5
C538	4030023010	S.CER 0402B104K160CT	T	142.0/109.7
C539	4030023010	S.CER 0402B104K160CT	T	142.0/108.8
C540	4030023010	S.CER 0402B104K160CT	T	142.0/102.2
C541	4030023010	S.CER 0402B104K160CT	T	142.0/107.0
C542	4030023010	S.CER 0402B104K160CT	T	137.2/112.5
C543	4030023010	S.CER 0402B104K160CT	T	134.5/112.5
C544	4030023820	S.CER 0603B104K250CT	B	136.4/105.2
C545	4030023010	S.CER 0402B104K160CT	T	130.0/112.5
C546	4030023010	S.CER 0402B104K160CT	T	134.5/97.5
C547	4030023010	S.CER 0402B104K160CT	T	135.5/97.5
C548	4030019560	S.CER GRM21BB31C106KE15L	B	136.3/113.5
C549	4030019560	S.CER GRM21BB31C106KE15L	B	138.8/105.4
C550	4030019560	S.CER GRM21BB31C106KE15L	B	144.0/103.3
C551	4030019560	S.CER GRM21BB31C106KE15L	B	128.8/109.8
C552	4030023010	S.CER 0402B104K160CT	T	127.0/107.5
C553	4030023010	S.CER 0402B104K160CT	T	133.2/97.5
C554	4030023010	S.CER 0402B104K160CT	T	132.1/97.5
C555	4030023010	S.CER 0402B104K160CT	T	127.0/104.5
C556	4030023010	S.CER 0402B104K160CT	T	127.0/105.5
C557	4030023010	S.CER 0402B104K160CT	T	127.0/109.5
C558	4030023010	S.CER 0402B104K160CT	T	127.0/106.5
C559	4030023010	S.CER 0402B104K160CT	T	127.0/110.5
C560	4030023010	S.CER 0402B104K160CT	T	127.0/108.5
C561	4030023010	S.CER 0402B104K160CT	T	131.1/97.3

REF NO.	PART NO.	DESCRIPTION	M.	H/V LOCATION
C1001	4030020190	S.CER GRM32EB31C476KE15L	T	69.9/134.0
C1002	4030023010	S.CER 0402B104K160CT	T	74.2/132.1
C1003	4030023010	S.CER 0402B104K160CT	T	71.4/136.5
C1004	4030020190	S.CER GRM32EB31C476KE15L	T	73.8/143.1
C1005	4030020190	S.CER GRM32EB31C476KE15L	T	69.7/144.0
C1007	4030023010	S.CER 0402B104K160CT	T	77.9/136.3
C1008	4030021580	S.CER GRM188B31E225KA12D	T	74.9/141.0
C1012	4030019560	S.CER GRM21BB31C106KE15L	T	98.5/139.0
C1013	4030019560	S.CER GRM21BB31C106KE15L	T	104.2/136.1
C1021	4030023030	S.CER 0402B103K250CT	T	165.5/134.1
C1022	4030025410	S.CER GRM188B31E105KAADD	T	163.3/131.5
C1023	4030019560	S.CER GRM21BB31C106KE15L	T	163.2/136.6
C1031	4030023030	S.CER 0402B103K250CT	T	95.8/129.7
C1032	4030025410	S.CER GRM188B31E105KAADD	T	98.3/131.1
C1033	4030019560	S.CER GRM21BB31C106KE15L	T	98.1/127.8
C1041	4030022050	S.CER GRM21BR61C226ME44L	T	85.5/132.3
C1042	4030023010	S.CER 0402B104K160CT	T	85.5/133.7
C1043	4030023010	S.CER 0402B104K160CT	T	83.0/139.3
C1044	4030023030	S.CER 0402B103K250CT	T	86.7/139.3
C1045	4030023210	S.CER 0402B472K500CT	T	89.7/133.9
C1046	4030022050	S.CER GRM21BR61C226ME44L	T	89.5/140.7
C1047	4030022050	S.CER GRM21BR61C226ME44L	T	89.5/142.5
C1049	4030023010	S.CER 0402B104K160CT	T	89.0/138.4
C1050	4510010570	S.ELE 16 CE 470 LX	T	111.6/120.1
C1071	4030025410	S.CER GRM188B31E105KAADD	T	99.1/122.1
C1072	4030019560	S.CER GRM21BB31C106KE15L	T	98.9/117.1
C1101	4030020190	S.CER GRM32EB31C476KE15L	T	59.7/143.3
C1102	4030023010	S.CER 0402B104K160CT	T	60.2/141.3
C1103	4030023010	S.CER 0402B104K160CT	T	58.2/136.9
C1104	4030023010	S.CER 0402B104K160CT	T	62.6/139.2
C1106	4030020190	S.CER GRM32EB31C476KE15L	T	52.6/142.2
C1107	4030020190	S.CER GRM32EB31C476KE15L	T	55.6/142.2
C1108	4030022810	S.CER 0402N330J500CT	T	63.0/135.9
C1109	4030023010	S.CER 0402B104K160CT	T	59.5/133.2
C1111	4030020190	S.CER GRM32EB31C476KE15L	T	66.3/130.7
C1112	4030023010	S.CER 0402B104K160CT	T	69.7/129.9
C1113	4030023010	S.CER 0402B104K160CT	T	71.8/124.3
C1114	4030023030	S.CER 0402B103K250CT	T	69.2/125.0
C1115	4030023030	S.CER 0402B103K250CT	T	65.6/126.9
C1116	4030022050	S.CER GRM21BR61C226ME44L	T	66.2/119.2
C1117	4030022050	S.CER GRM21BR61C226ME44L	T	66.2/121.0
C1119	4030025410	S.CER GRM188B31E105KAADD	T	68.2/115.1
C1120	4030023010	S.CER 0402B104K160CT	T	67.7/123.2
C1121	4030025410	S.CER GRM188B31E105KAADD	T	42.8/125.1
C1122	4030025410	S.CER GRM188B31E105KAADD	T	42.8/120.1
C1131	4030025410	S.CER GRM188B31E105KAADD	T	8.4/94.7
C1132	4030025410	S.CER GRM188B31E105KAADD	T	13.0/94.7
C1141	4030025410	S.CER GRM188B31E105KAADD	T	53.3/63.1
C1142	4030019560	S.CER GRM21BB31C106KE15L	T	58.1/63.3
C1201	4030020190	S.CER GRM32EB31C476KE15L	T	87.0/128.1
C1202	4030023010	S.CER 0402B104K160CT	T	87.1/125.9
C1203	4030023010	S.CER 0402B104K160CT	T	85.0/121.6
C1204	4030023010	S.CER 0402B104K160CT	T	89.4/123.8
C1206	4030020190	S.CER GRM32EB31C476KE15L	T	82.8/127.1
C1207	4030020190	S.CER GRM32EB31C476KE15L	T	79.8/127.1
C1208	4030022810	S.CER 0402N330J500CT	T	88.1/120.1
C1209	4030020190	S.CER GRM32EB31C476KE15L	T	78.8/130.9
C1211	4030020190	S.CER GRM32EB31C476KE15L	T	57.1/120.8
C1212	4030023010	S.CER 0402B104K160CT	T	57.7/118.8
C1214	4030025410	S.CER GRM188B31E105KAADD	T	61.9/125.5
C1216	4030022050	S.CER GRM21BR61C226ME44L	T	50.5/121.9
C1217	4030022050	S.CER GRM21BR61C226ME44L	T	52.3/121.9
C1218	4030022810	S.CER 0402N330J500CT	T	59.7/128.5
C1221	4030019560	S.CER GRM21BB31C106KE15L	T	11.9/118.5
C1223	4550007520	S.TAN F931A106MAABMA	T	9.4/127.5
Eqv.	4550009370	S.TAN 267E1002106MR533		
C1231	4030021580	S.CER GRM188B31E225KA12D	T	155.5/115.0
C1232	4030021580	S.CER GRM188B31E225KA12D	T	160.5/114.5
C1241	4030025			

[MAIN UNIT]

REF NO.	PART NO.	DESCRIPTION	M.	H/V LOCATION
C2032	4030023010	S.CER 0402B104K160CT	T	189.7/67.6
C2034	4030022930	S.CER 0402N821J500CT	T	191.3/67.6
C2035	4030019560	S.CER GRM21BB31C106KE15L	T	195.1/67.6
C2081	4030022690	S.CER 0402N151J500CT	T	194.3/55.9
C2082	4030023010	S.CER 0402B104K160CT	T	199.7/56.4
C2088	4030023010	S.CER 0402B104K160CT	T	191.2/61.1
C2089	4030023010	S.CER 0402B104K160CT	T	192.4/60.6
C2103	4030023010	S.CER 0402B104K160CT	T	162.0/89.1
C2104	4030019560	S.CER GRM21BB31C106KE15L	T	161.5/87.7
C2105	4030023010	S.CER 0402B104K160CT	T	166.2/100.2
C2106	4030023010	S.CER 0402B104K160CT	T	162.8/99.5
C2107	4030019560	S.CER GRM21BB31C106KE15L	T	164.8/100.5
C2108	4030019560	S.CER GRM21BB31C106KE15L	T	162.3/100.9
C2109	4030019560	S.CER GRM21BB31C106KE15L	T	165.5/103.7
C2111	4030021580	S.CER GRM188B31E225KA12D	T	160.0/102.9
C2112	4030022750	S.CER 0402N221J500CT	T	160.0/107.0
C2113	4030019560	S.CER GRM21BB31C106KE15L	T	162.2/109.3
C2121	4030021580	S.CER GRM188B31E225KA12D	T	168.2/100.2
C2122	4030022670	S.CER 0402N121J500CT	T	168.4/103.1
C2123	4030021580	S.CER GRM188B31E225KA12D	T	173.5/101.9
C2125	4510010570	S.ELE 16 CE 470 LX	T	175.5/93.2
C2126	4030019560	S.CER GRM21BB31C106KE15L	T	172.3/100.4
C2127	4030023010	S.CER 0402B104K160CT	T	173.5/99.0
C2128	4030019560	S.CER GRM21BB31C106KE15L	T	169.5/110.4
C2136	4030019560	S.CER GRM21BB31C106KE15L	T	161.3/111.6
C2201	4510010570	S.ELE 16 CE 470 LX	T	201.7/62.7
C2202	4030021580	S.CER GRM188B31E225KA12D	T	198.5/83.2
C2203	4030022740	S.CER 0402N220J500CT	T	197.5/94.3
C2204	4030019560	S.CER GRM21BB31C106KE15L	B	199.3/88.2
C2205	4030023980	S.CER 0603B332K500CT	T	198.6/86.2
C2206	4030021580	S.CER GRM188B31E225KA12D	B	201.9/86.3
C2207	4030023010	S.CER 0402B104K160CT	T	201.1/87.0
C2208	4030021580	S.CER GRM188B31E225KA12D	T	202.4/91.0
C2209	4030025410	S.CER GRM188B31E105KAADD	T	199.4/92.8
C2210	4030026490	S.CER CL31B474KBHNPPE	T	210.4/105.9
C2211	4030019330	S.CER C1608 X7R 1C 224K-T	T	210.0/107.6
C2212	4030019330	S.CER C1608 X7R 1C 224K-T	T	209.0/116.4
C2213	4030023010	S.CER 0402B104K160CT	T	197.0/122.8
C2214	4510010570	S.ELE 16 CE 470 LX	T	203.9/120.7
C2215	4510010570	S.ELE 16 CE 470 LX	T	206.3/86.5
C2243	4030023090	S.CER 0402B102K500CT	T	202.5/151.4
C2543	4030022630	S.CER 0402N100C500CT	T	106.8/21.7
C2544	4030024500	S.CER C1005 JB 1C 224K-T	T	108.4/20.2
C2545	4030023010	S.CER 0402B104K160CT	T	105.0/22.6
C2549	4030025410	S.CER GRM188B31E105KAADD	T	99.9/20.9
C2550	4030023010	S.CER 0402B104K160CT	T	100.2/22.4
C2552	4030023030	S.CER 0402B103K250CT	T	106.8/24.4
C2553	4030024500	S.CER C1005 JB 1C 224K-T	T	106.8/26.2
C2555	4030017480	S.CER C1608 JB 1A 474K-T	T	102.4/31.1
C2558	4030022950	S.CER 0402B273K100CT	T	101.4/30.5
C2566	4030017480	S.CER C1608 JB 1A 474K-T	T	82.1/24.7
C2601	4030023010	S.CER 0402B104K160CT	T	87.7/28.7
C2602	4030023010	S.CER 0402B104K160CT	T	87.2/30.8
C2609	4030025410	S.CER GRM188B31E105KAADD	T	81.1/26.6
C2610	4030023010	S.CER 0402B104K160CT	T	82.8/26.8
C2611	4030023090	S.CER 0402B102K500CT	T	77.6/32.1
C2629	4030025410	S.CER GRM188B31E105KAADD	T	107.8/16.4
C2630	4030023010	S.CER 0402B104K160CT	T	107.7/15.4
C2651	4030023010	S.CER 0402B104K160CT	T	146.2/30.1
C2652	4030025410	S.CER GRM188B31E105KAADD	T	145.6/25.5
C2653	4030023010	S.CER 0402B104K160CT	T	142.3/27.6
C2654	4030023010	S.CER 0402B104K160CT	T	148.8/27.1
C2801	4030023010	S.CER 0402B104K160CT	T	108.7/49.8
C2811	4030023010	S.CER 0402B104K160CT	T	115.3/48.6
C2821	4030023010	S.CER 0402B104K160CT	T	121.9/48.6
C2851	4030023010	S.CER 0402B104K160CT	T	135.8/43.1
C2852	4030023010	S.CER 0402B104K160CT	T	135.5/48.6
C2853	4030021580	S.CER GRM188B31E225KA12D	T	138.4/49.3
C2854	4030021580	S.CER GRM188B31E225KA12D	T	135.7/45.5
C2870	4030023010	S.CER 0402B104K160CT	T	134.8/28.9
C2871	4030023030	S.CER 0402B103K250CT	T	137.8/24.3
C2872	4030023010	S.CER 0402B104K160CT	T	134.8/26.8
C2881	4030023030	S.CER 0402B103K250CT	T	121.4/128.1
C2882	4030023010	S.CER 0402B104K160CT	T	121.4/130.1
C2883	4510010570	S.ELE 16 CE 470 LX	T	122.4/120.6
C2884	4030023010	S.CER 0402B104K160CT	T	121.4/129.1
C2961	4030023010	S.CER 0402B104K160CT	T	126.8/37.7
C2962	4030023010	S.CER 0402B104K160CT	T	117.4/37.7
C2963	4030023010	S.CER 0402B104K160CT	T	120.8/34.1
C3011	4030023030	S.CER 0402B103K250CT	T	58.4/39.8
C3012	4030023030	S.CER 0402B103K250CT	T	61.9/40.8
C3013	4030023030	S.CER 0402B103K250CT	T	61.9/37.9
C3014	4030023030	S.CER 0402B103K250CT	T	65.2/41.8
C3015	4030026700	S.CER RF15N1R0B500CT	T	68.4/38.9
C3016	4030023030	S.CER 0402B103K250CT	T	68.9/40.4
C3017	4030023030	S.CER 0402B103K250CT	T	71.0/40.8
C3021	4030023030	S.CER 0402B103K250CT	T	58.4/33.7
C3022	4030023030	S.CER 0402B103K250CT	T	61.9/34.7
C3023	4030023030	S.CER 0402B103K250CT	T	61.9/31.8
C3024	4030023030	S.CER 0402B103K250CT	T	65.2/36.3
C3025	4030026700	S.CER RF15N1R0B500CT	T	68.4/32.8
C3026	4030023030	S.CER 0402B103K250CT	T	68.9/34.3
C3027	4030023030	S.CER 0402B103K250CT	T	71.7/33.8
C3031	4030023010	S.CER 0402B104K160CT	T	62.0/27.9
C3032	4030023030	S.CER 0402B103K250CT	T	63.1/27.0
C3033	4030023030	S.CER 0402B103K250CT	T	63.9/23.1
C3041	4030023030	S.CER 0402B103K250CT	T	57.1/20.1
C3042	4030023030	S.CER 0402B103K250CT	T	60.6/22.0
C3043	4030023030	S.CER 0402B103K250CT	T	60.6/19.1
C3044	4030023030	S.CER 0402B103K250CT	T	65.2/27.4
C3045	4030026700	S.CER RF15N1R0B500CT	T	67.1/20.1
C3046	4030023030	S.CER 0402B103K250CT	T	67.6/21.6
C3047	4030023030	S.CER 0402B103K250CT	T	70.4/21.1
C3051	4030023030	S.CER 0402B103K250CT	T	65.2/30.6
C3052	4030026690	S.CER RF15N100G500CT	T	69.6/18.9
C3053	4030022790	S.CER 0402N2R5B500CT	T	70.8/18.4

REF NO.	PART NO.	DESCRIPTION	M.	H/V LOCATION
C3054	4030026590	S.CER RF15N180J500CT	T	72.0/18.9
C3055	4030026710	S.CER RF15N2R0B500CT	T	72.9/17.8
C3056	4030026590	S.CER RF15N180J500CT	T	74.7/20.4
C3057	4030026700	S.CER RF15N1R0B500CT	T	75.9/19.9
C3058	4030026690	S.CER RF15N100G500CT	T	77.1/20.4
C3081	4030022770	S.CER 0402N270J500CT	T	78.1/18.9
C3082	4030022770	S.CER 0402N121J500CT	T	79.2/17.7
C3083	4030022770	S.CER 0402N270J500CT	T	79.7/18.9
C3084	4030022740	S.CER 0402N220J500CT	T	82.7/16.6
C3085	4030022630	S.CER 0402N100C500CT	T	83.9/16.1
C3086	4030026580	S.CER RF15N150J500CT	T	82.7/15.7
C3105	4030023030	S.CER 0402B103K250CT	T	17.8/18.0
C3141	4030023030	S.CER 0402B103K250CT	T	12.1/26.2
C3142	4030023030	S.CER 0402B103K250CT	T	13.9/21.6
C3143	4030023030	S.CER 0402B103K250CT	T	14.2/26.0
C3145	4030026700	S.CER RF15N1R0B500CT	T	18.9/22.7
C3146	4030023030	S.CER 0402B103K250CT	T	19.7/23.8
C3147	4030023030	S.CER 0402B103K250CT	T	19.6/25.6
C3148	4030023090	S.CER 0402B102K500CT	B	15.7/24.7
C3149	4030023010	S.CER 0402B104K160CT	T	19.6/24.7
C3151	4030023030	S.CER 0402B103K250CT	T	16.7/27.3
C3152	4030022850	S.CER 0402N391J500CT	T	17.9/29.4
C3153	4030023030	S.CER 0402B103K250CT	T	18.0/32.1
C3154	4030023030	S.CER 0402B103K250CT	T	14.4/33.3
C3155	4030023010	S.CER 0402B104K160CT	T	24.4/33.2
C3156	4030026720	S.CER RF15N3R0B500CT	T	12.3/32.9
C3161	4030023030	S.CER 0402B103K250CT	T	17.4/41.5
C3162	4030023010	S.CER 0402B104K160CT	T	19.2/39.3
C3163	4030023030	S.CER 0402B103K250CT	T	20.9/43.9
C3164	4030023010	S.CER 0402B104K160CT	T	19.6/40.5
C3171	4030025410	S.CER GRM188B31E105KAADD	T	28.4/30.6
C3172	4030025410	S.CER GRM188B31E105KAADD	T	28.4/35.3
C3187	4030023030	S.CER 0402B103K250CT	T	16.3/61.4
C3202	4030022560	S.CER 0402N5R0B500CT	T	14.4/50.0
C3206	4030022560	S.CER 0402N5R0B500CT	T	14.5/53.4
C3402	4030022560	S.CER 0402N5R0B500CT	T	15.4/50.0
C3404	4030026580	S.CER RF15N150J500CT	T	17.5/51.3
C3406	4030022560	S.CER 0402N5R0B500CT	T	15.4/53.4
C3501	4030019560	S.CER GRM21BB31C106KE15L	T	47.0/26.6
C3502	4030019560	S.CER GRM21BB31C106KE15L	T	52.1/26.6
C3511	4030019560	S.CER GRM21BB31C106KE15L	T	28.5/23.9
C3512	4030019560	S.CER GRM21BB31C106KE15L	T	28.5/29.0
C5108	4030023010	S.CER 0402B104K160CT	T	13.0/140.8
C5113	4030023010	S.CER 0402B104K160CT	T	9.9/136.5
C5201	4030023010	S.CER 0402B104K160CT	T	148.5/142.8
C5211	4030023010	S.CER 0402B104K160CT	T	143.0/142.8
C5221	4030023010	S.CER 0402B104K160CT	T	137.5/142.8
C5231	4030023010	S.CER 0402B104K160CT	T	132.0/142.9
C5242	4030023010	S.CER 0402B104K160CT	T	126.6/142.9
C7101	4030026750	S.CER RF15N7R0C500CT	T	64.0/44.7
C7102	4030017630	S.CER C1005 CH 1H 120J-T	T	64.0/45.6
Eqv.	4030026570	S.CER RF15N120J500CT		
C7103	4030026750	S.CER RF15N7R0C500CT	T	60.8/44.4
C7104	4030026750	S.CER RF15N7R0C500CT	T	62.6/45.2
C7105	4030026700	S.CER RF15N1R0B500CT	T	60.8/46.1
C7106	4030017630	S.CER C1005 CH 1H 120J-T	T	59.9/44.4
Eqv.	4030026570	S.CER RF15N120J500CT		
C7107	4030026720	S.CER RF15N3R0B500CT	T	59.4/46.4
C7108	4030022560	S.CER 0402N5R0B500CT	T	59.0/45.5
C7151	4030022810	S.CER 0402N330J500CT	T	58.5/47.4
C7152	4030022690	S.CER 0402N151J500CT	T	57.4/46.1
C7153	4030026590	S.CER RF15N180J500CT	T	56.9/47.4
C7154	4030022870	S.CER 0402N471J500CT	T	55.5/46.1
C7155	4030022810	S.CER 0402N330J500CT	T	56.6/46.1
C7201	4030024500	S.CER C1005 JB 1C 224K-T	B	36.2/69.5
C7202	4030024500	S.CER C1005 JB 1C 224K-T	B	36.9/68.9
C7203	4030024500	S.CER C1005 JB 1C 224K-T	B	37.5/68.2
C7204	4030024500	S.CER C1005 JB 1C 224K-T	B	38.2/67.6
C7205	4030024500	S.CER C1005 JB 1C 224K-T	B	38.8/66.9
C7206	4030024500			



[MAIN UNIT]

REF NO.	PART NO.	DESCRIPTION	M.	H/V LOCATION
C7501	4030023010	S.CER 0402B104K160CT	T	26.5/99.0
C7502	4030023010	S.CER 0402B104K160CT	T	25.2/104.3
C7503	4030022510	S.CER GRM155B31A225KE95D	T	25.4/100.4
C7504	4030023010	S.CER 0402B104K160CT	T	25.2/95.2
C7505	4030023010	S.CER 0402B104K160CT	T	38.2/95.3
C7506	4030023010	S.CER 0402B104K160CT	T	38.2/104.1
C7507	4030019560	S.CER GRM21BB31C106KE15L	T	22.7/106.9
C7508	4030022510	S.CER GRM155B31A225KE95D	T	25.0/99.5
C7509	4030019560	S.CER GRM21BB31C106KE15L	T	22.7/105.1
C7510	4030023030	S.CER 0402B103K250CT	T	65.2/71.7
C7511	4030023030	S.CER 0402B103K250CT	T	65.7/75.5
C7512	4030023030	S.CER 0402B103K250CT	T	59.9/71.1
C7651	4030023030	S.CER 0402B103K250CT	B	57.5/99.6
C7653	4030023010	S.CER 0402B104K160CT	B	57.5/100.5
C7701	4030019560	S.CER GRM21BB31C106KE15L	B	58.1/107.5
C7702	4030023010	S.CER 0402B104K160CT	B	64.3/97.6
C7703	4030023010	S.CER 0402B104K160CT	B	67.7/99.6
C7706	4030023030	S.CER 0402B103K250CT	B	64.7/94.6
C7707	4030023030	S.CER 0402B103K250CT	B	69.2/99.3
C7752	4030023010	S.CER 0402B104K160CT	B	57.5/90.6
C7753	4030023010	S.CER 0402B104K160CT	B	61.2/87.1
C7758	4030023030	S.CER 0402B103K250CT	B	58.7/89.6
C7759	4030023030	S.CER 0402B103K250CT	B	60.7/89.8
C7760	4030023030	S.CER 0402B103K250CT	B	62.7/93.6
C7801	4030023030	S.CER 0402B103K250CT	B	65.2/89.6
C7803	4030023010	S.CER 0402B104K160CT	B	66.2/89.6
C7805	4030019560	S.CER GRM21BB31C106KE15L	B	56.3/107.5
C7852	4030023010	S.CER 0402B104K160CT	B	69.7/87.4
C7854	4030023030	S.CER 0402B103K250CT	B	70.2/88.6
C7902	4030026580	S.CER RF15N150J500CT	T	54.8/104.6
C7931	4030023010	S.CER 0402B104K160CT	T	47.6/114.7
C7932	4030023010	S.CER 0402B104K160CT	T	47.4/110.0
C7933	4030023010	S.CER 0402B104K160CT	T	45.6/110.1
C7934	4030023090	S.CER 0402B102K500CT	T	45.6/107.9
C7935	4030022870	S.CER 0402N471J500CT	T	54.0/108.9
C7936	4030023090	S.CER 0402B102K500CT	T	53.1/109.1
C7937	4030023010	S.CER 0402B104K160CT	T	55.2/109.1
C8051	4030023010	S.CER 0402B104K160CT	B	77.0/85.7
C8052	4030023010	S.CER 0402B104K160CT	B	73.7/89.0
C8053	4030023010	S.CER 0402B104K160CT	B	76.9/91.6
C8054	4030023010	S.CER 0402B104K160CT	B	73.2/96.4
C8061	4030023030	S.CER 0402B103K250CT	B	77.0/86.6
C8062	4030023030	S.CER 0402B103K250CT	B	73.7/87.4
C8063	4030023030	S.CER 0402B103K250CT	B	74.5/91.4
C8064	4030023030	S.CER 0402B103K250CT	B	72.7/94.6
C8071	4030019560	S.CER GRM21BB31C106KE15L	B	75.8/106.7
C8101	4030023010	S.CER 0402B104K160CT	B	77.5/98.3
C8102	4030023010	S.CER 0402B104K160CT	B	73.7/101.0
C8105	4030023030	S.CER 0402B103K250CT	B	76.5/98.3
C8106	4030023030	S.CER 0402B103K250CT	B	71.5/100.6
C8109	4030019560	S.CER GRM21BB31C106KE15L	B	77.7/100.1
C8151	4030023090	S.CER 0402B102K500CT	B	69.2/90.1
C8152	4030023090	S.CER 0402B102K500CT	B	70.6/102.3
C8153	4030023090	S.CER 0402B102K500CT	B	67.3/102.6
C8154	4030023090	S.CER 0402B102K500CT	B	70.5/94.4
C8155	4030023090	S.CER 0402B102K500CT	B	70.5/96.1
C8161	4030023010	S.CER 0402B104K160CT	B	70.1/90.1
C8162	4030023010	S.CER 0402B104K160CT	B	66.7/97.6
C8163	4030023010	S.CER 0402B104K160CT	B	65.7/93.6
C8164	4030023010	S.CER 0402B104K160CT	B	70.5/92.8
C8165	4030023010	S.CER 0402B104K160CT	B	71.0/97.3
C8166	4030023010	S.CER 0402B104K160CT	B	67.3/101.6
C8167	4030023010	S.CER 0402B104K160CT	B	70.6/104.0
C8171	4030019560	S.CER GRM21BB31C106KE15L	B	71.6/107.3
C8172	4030019560	S.CER GRM21BB31C106KE15L	B	72.0/84.5
C8175	4030022050	S.CER GRM21BR61C226ME44L	B	69.8/107.3
C8176	4030022050	S.CER GRM21BR61C226ME44L	B	69.7/84.5
C8201	4030023030	S.CER 0402B103K250CT	B	76.1/90.6
C8202	4030023030	S.CER 0402B103K250CT	B	74.8/94.4
C8203	4030023030	S.CER 0402B103K250CT	B	76.1/101.5
C8204	4030023030	S.CER 0402B103K250CT	B	59.5/87.2
C8207	4030023010	S.CER 0402B104K160CT	B	73.5/90.6
C8208	4030023010	S.CER 0402B104K160CT	B	75.7/94.4
C8209	4030023010	S.CER 0402B104K160CT	B	76.1/102.4
C8210	4030023010	S.CER 0402B104K160CT	B	59.5/86.3
C8213	4030019560	S.CER GRM21BB31C106KE15L	B	77.0/88.3
C8251	4030023030	S.CER 0402B103K250CT	B	71.7/89.8
C8252	4030023030	S.CER 0402B103K250CT	B	73.2/102.8
C8253	4030023030	S.CER 0402B103K250CT	B	67.2/105.3
C8257	4030023010	S.CER 0402B104K160CT	B	71.7/87.4
C8258	4030023010	S.CER 0402B104K160CT	B	73.9/104.4
C8259	4030023010	S.CER 0402B104K160CT	B	65.7/105.0
C8263	4030019560	S.CER GRM21BB31C106KE15L	B	65.6/107.5
C8301	4030023090	S.CER 0402B102K500CT	B	77.2/103.6
C8302	4030023010	S.CER 0402B104K160CT	B	76.3/103.6
C8303	4030019560	S.CER GRM21BB31C106KE15L	B	78.7/107.6
C8351	4030023090	S.CER 0402B102K500CT	B	73.7/98.4
C8352	4030023090	S.CER 0402B102K500CT	B	63.0/89.6
C8354	4030023010	S.CER 0402B104K160CT	B	74.1/99.6
C8355	4030023010	S.CER 0402B104K160CT	B	62.6/88.3
C8357	4030019560	S.CER GRM21BB31C106KE15L	B	62.0/107.5
C8501	4030023030	S.CER 0402B103K250CT	B	59.7/90.8
C8506	4030023010	S.CER 0402B104K160CT	B	58.7/88.1
C8510	4030019560	S.CER GRM21BB31C106KE15L	B	54.5/107.5
C8511	4030019560	S.CER GRM21BB31C106KE15L	B	75.8/108.4
C8512	4030023010	S.CER 0402B104K160CT	B	56.2/102.9
C8513	4030023030	S.CER 0402B103K250CT	B	57.1/102.9
C8521	4030023030	S.CER 0402B103K250CT	B	75.6/97.3
C8522	4030023030	S.CER 0402B103K250CT	B	73.5/92.6
C8526	4030023010	S.CER 0402B104K160CT	B	74.7/97.3
C8527	4030023010	S.CER 0402B104K160CT	B	75.9/92.6
C8552	4030023030	S.CER 0402B103K250CT	B	66.7/91.6
C8554	4030023010	S.CER 0402B104K160CT	B	67.7/90.1
C8555	4030019560	S.CER GRM21BB31C106KE15L	B	63.7/107.5
C8571	4030023030	S.CER 0402B103K250CT	B	67.1/87.4
C8572	4030023010	S.CER 0402B104K160CT	B	67.1/88.3

REF NO.	PART NO.	DESCRIPTION	M.	H/V LOCATION
C8601	4030023030	S.CER 0402B103K250CT	T	110.9/37.2
C8602	4030023010	S.CER 0402B104K160CT	T	107.1/36.0
C8603	4030023090	S.CER 0402B102K500CT	T	107.1/36.0
C8604	4030023010	S.CER 0402B104K160CT	T	107.1/35.1
C8605	4030023090	S.CER 0402B102K500CT	T	108.5/40.5
C8606	4030022630	S.CER 0402N100C500CT	T	109.7/40.9
C8607	4030023010	S.CER 0402B104K160CT	T	105.9/36.5
C8609	4030023010	S.CER 0402B104K160CT	T	107.3/38.9
C8610	4030023030	S.CER 0402B103K250CT	T	102.3/39.5
C8611	4030023030	S.CER 0402B103K250CT	T	102.8/40.7
C8622	4030023030	S.CER 0402B103K250CT	T	100.6/39.5
C8623	4030023010	S.CER 0402B104K160CT	T	103.6/34.5
C8624	4030022600	S.CER 0402N90C500CT	T	97.4/34.7
C8625	4030022590	S.CER 0402N80C500CT	T	97.0/35.9
C8626	4030022590	S.CER 0402N80C500CT	T	95.5/36.4
C8627	4030022600	S.CER 0402N90C500CT	T	94.3/36.8
C8628	4030022700	S.CER 0402N180J500CT	T	95.5/34.6
C8629	4030022700	S.CER 0402N180J500CT	T	95.5/35.5
C8641	4030023030	S.CER 0402B103K250CT	T	78.8/37.7
C8642	4030023030	S.CER 0402B103K250CT	T	80.2/39.1
C8643	4030023010	S.CER 0402B104K160CT	T	78.5/42.5
C8644	4030022570	S.CER 0402N60C500CT	T	80.5/46.7
C8645	4030026720	S.CER RF15N3R0B500CT	T	80.5/47.6
C8646	4030026720	S.CER RF15N3R0B500CT	T	80.1/49.0
C8647	4030022570	S.CER 0402N60C500CT	T	81.0/49.9
C8648	4030022560	S.CER 0402N50R0B500CT	T	78.9/47.6
C8649	4030022590	S.CER 0402N80C500CT	T	78.9/48.5
C8661	4030023030	S.CER 0402B103K250CT	T	89.1/61.9
C8662	4030023030	S.CER 0402B103K250CT	T	87.7/63.3
C8663	4030023010	S.CER 0402B104K160CT	T	84.4/64.1
C8664	4030026710	S.CER RF15N2R0B500CT	T	84.8/67.4
C8665	4030026710	S.CER RF15N2R0B500CT	T	83.6/67.0
C8666	4030026710	S.CER RF15N2R0B500CT	T	83.1/65.8
C8667	4030026710	S.CER RF15N2R0B500CT	T	82.2/64.9
C8668	4030024550	S.CER 0402N3R5B500CT	T	83.6/68.2
C8670	4030017630	S.CER C1005 CH 1H 120J-T	T	62.5/70.8
Eqv.	4030026570	S.CER RF15N120J500CT		
C8671	4030017630	S.CER C1005 CH 1H 120J-T	T	66.3/70.8
Eqv.	4030026570	S.CER RF15N120J500CT		
C8672	4030022740	S.CER 0402N220J500CT	T	66.6/68.8
C8692	4030023010	S.CER 0402B104K160CT	T	84.7/42.8
C8693	4030023010	S.CER 0402B104K160CT	T	84.4/49.1
C8694	4030023030	S.CER 0402B103K250CT	T	87.1/74.7
C8701	4030024500	S.CER C1005 JB 1C 224K-T	T	74.7/58.1
C8702	4030022630	S.CER 0402N100C500CT	T	73.4/56.4
C8703	4030023230	S.CER 0402B562K500CT	T	74.6/56.8
C8704	4030022600	S.CER 0402N90C500CT	T	73.4/57.3
C8705	4030023090	S.CER 0402B102K500CT	T	72.3/54.4
C8706	4030023090	S.CER 0402B102K500CT	T	71.8/59.7
C8707	4030023090	S.CER 0402B102K500CT	T	72.3/52.4
C8708	4030023090	S.CER 0402B102K500CT	T	69.6/50.8
C8709	4030023090	S.CER 0402B102K500CT	T	65.6/61.8
C8710	4030023090	S.CER 0402B102K500CT	T	66.9/50.8
C8711	4030023090	S.CER 0402B102K500CT	T	66.0/50.8
C8712	4030023090	S.CER 0402B102K500CT	T	62.9/54.1
C8713	4030023090	S.CER 0402B102K500CT	T	61.9/56.3
C8714	4030019560	S.CER GRM21BB31C106KE15L	T	72.0/50.4
C8715	4030023090	S.CER 0402B102K500CT	T	62.9/58.5
C8716	4030019560	S.CER GRM21BB31C106KE15L	T	73.2/59.7
C8717	4030023090	S.CER 0402B102K500CT	T	60.7/49.7
C8718	4030023090	S.CER 0402B102K500CT	T	60.7/50.6
C8720	4030023030	S.CER 0402B103K250CT	T	56.9/55.2
C8732	4030022770	S.CER 0402N270J500CT	T	60.6/54.0
C8735	4030022770	S.CER 0402N270J500CT	T	57.7/54.0
C8801	4030023010	S.CER 0402B104K160CT	T	10.0/110.1
C8802	4030023010	S.CER 0402B104K160CT	T	11.2/111.7
C8803	4030023010	S.CER 0402B104K160CT	T	13.8/112.2
C8804	4030023010	S.CER 0402B104K160CT	T	17.1/112.2
C8805	4030022700	S.CER 0402N180J500CT	T	18.1/110.3
C8806	4030023010	S.CER 0402B104K160CT	T</	

[MAIN UNIT]

REF NO.	PART NO.	DESCRIPTION	M.	H/V LOCATION
C9201	4030023030	S.CER 0402B103K250CT	T	181.4/5.6
C9202	4030023030	S.CER 0402B103K250CT	T	179.4/5.6
C9203	4030022630	S.CER 0402N100C500CT	T	177.9/7.7
C9204	4030022630	S.CER 0402N100C500CT	T	177.4/18.2
C9205	4030022630	S.CER 0402N100C500CT	T	176.9/7.7
C9206	4030022630	S.CER 0402N100C500CT	T	176.4/18.2
C9207	4030022630	S.CER 0402N100C500CT	T	175.9/7.7
C9208	4030023090	S.CER 0402B102K500CT	T	175.4/18.2
C9209	4030023090	S.CER 0402B102K500CT	T	174.9/7.7
C9210	4030023030	S.CER 0402B103K250CT	T	174.4/18.2
C9211	4030023030	S.CER 0402B103K250CT	T	173.9/7.7
C9213	4030023030	S.CER 0402B103K250CT	T	172.9/7.7
C9214	4030023030	S.CER 0402B103K250CT	T	171.9/7.7
C9217	4030023030	S.CER 0402B103K250CT	T	168.9/7.7
C9218	4030023090	S.CER 0402B102K500CT	T	167.9/7.7
C9219	4030023090	S.CER 0402B102K500CT	T	166.9/7.7
C9337	4030023030	S.CER 0402B103K250CT	T	149.8/6.2
C9401	4030023010	S.CER 0402B104K160CT	T	154.8/5.9
C9416	4030023030	S.CER 0402B103K250CT	T	148.9/17.6
C9417	4030023030	S.CER 0402B103K250CT	T	149.8/17.6
C9418	4030022750	S.CER 0402N221J500CT	T	136.1/20.1
C9419	4030022750	S.CER 0402N221J500CT	T	147.6/4.7
C9420	4030022750	S.CER 0402N221J500CT	T	148.4/4.7
C9423	4030022750	S.CER 0402N221J500CT	T	142.9/4.7
C9424	4030022750	S.CER 0402N221J500CT	T	140.8/4.7
C9425	4030023030	S.CER 0402B103K250CT	T	138.9/6.8
C9426	4030022750	S.CER 0402N221J500CT	T	139.7/20.1
C9427	4030023030	S.CER 0402B103K250CT	T	142.0/17.6
C9428	4030023030	S.CER 0402B103K250CT	T	142.9/17.6
C9429	4030023030	S.CER 0402B103K250CT	T	137.9/20.1
C9430	4030022750	S.CER 0402N221J500CT	T	140.9/20.1
C9431	4030023030	S.CER 0402B103K250CT	T	139.8/6.8
C9433	4030023030	S.CER 0402B103K250CT	T	137.0/20.1
C9434	4030023090	S.CER 0402B102K500CT	T	156.3/5.8
C9435	4030023090	S.CER 0402B102K500CT	T	157.4/15.2
C9501	4030023090	S.CER 0402B102K500CT	T	170.2/116.5
C9502	4030023090	S.CER 0402B102K500CT	T	170.2/114.5
C9503	4030023090	S.CER 0402B102K500CT	B	189.1/113.9
C9504	4030023090	S.CER 0402B102K500CT	B	189.1/109.1
C9505	4030021580	S.CER GRM188B31E225KA12D	T	165.5/109.3
C9506	4030023030	S.CER 0402B103K250CT	T	172.9/105.5
CP8661	6910009670	S.CHE HK3-S-T	T	73.4/36.1
CP8662	6910009670	S.CHE HK3-S-T	T	71.9/29.6
J101	6510025142	S.CON 10FLT-SM2-TB	T	183.0/39.0
J301	6510027290	S.CON 52808-0671	T	123.0/89.3
J302	6510025760	S.CON B5B-ZR-SM4-TF	T	182.9/49.8
J311	6510022022	S.CON 14FLT-SM2-TB	T	203.6/39.6
J331	6510023980	S.CON 20R-JMCS-G-B-TF(NSA)	T	114.2/96.1
J1621	6510026540	CON UBB-4R-D14T-4D	T	
J2881	6510018961	S.CON B2B-PH-SM4-TB	T	115.0/136.5
J3081	6510032350	S.CON 20279-001E-01	T	85.0/10.0
J3101	6510032350	S.CON 20279-001E-01	T	28.8/16.0
J5101	6510023631	CON 3012S-01R	T	
J5201	6510023331	CON 3012S-02R	T	
J7402	6510025940	CON PJ-3047S	T	
J7931	6510019971	S.CON 52808-1071	T	42.1/111.3
J8661	6510032350	S.CON 20279-001E-01	T	71.2/44.7
J8801	6510032350	S.CON 20279-001E-01	T	5.4/109.7
J9001	6510021722	S.CON 30FLT-SM2-TB	T	19.0/12.9
J9101	6510021722	S.CON 30FLT-SM2-TB	T	124.3/12.9
J9151	6510022311	S.CON B5B-PH-SM4-TB	T	135.3/133.0
J9401	6510022472	S.CON 40FLT-SM2-TB	T	147.0/12.4
J9451	6510019421	S.CON B8B-ZR-SM4-TF	T	195.2/9.3
J9501	6510023261	S.CON B6B-PH-SM4-TB	T	180.0/111.5
S171	2230001591	S.SWI LS38J2F-T	T	186.3/33.6
S2801	2220000860	SWI MS-12AAV4	T	
S2802	2220000860	SWI MS-12AAV4	T	
EP101	6910023350	S.BEA MMZ1005B601CT	B	156.5/62.2
EP102	6910019900	S.BEA MPZ1608S601AT	B	152.3/68.0
EP103	6910023350	S.BEA MMZ1005B601CT	B	164.1/49.6
EP104	6910023350	S.BEA MMZ1005B601CT	B	162.8/46.9
EP111	6910021140	S.BEA MMZ1005S800CT	T	145.3/54.1
EP112	6910021140	S.BEA MMZ1005S800CT	T	147.0/54.7
EP113	6910021140	S.BEA MMZ1005S800CT	T	147.0/53.6
EP114	6910021140	S.BEA MMZ1005S800CT	T	145.0/53.0
EP115	6910021140	S.BEA MMZ1005S800CT	T	145.0/51.9
EP116	6910021140	S.BEA MMZ1005S800CT	T	147.0/52.5
EP117	6910021140	S.BEA MMZ1005S800CT	T	147.0/51.4
EP118	6910021140	S.BEA MMZ1005S800CT	T	145.0/50.8
EP181	6910023350	S.BEA MMZ1005B601CT	T	155.7/75.8
EP191	6910023350	S.BEA MMZ1005B601CT	T	166.4/70.5
EP301	6910023350	S.BEA MMZ1005B601CT	T	90.0/111.5
EP311	6910023350	S.BEA MMZ1005B601CT	T	189.5/41.8
EP331	6910023350	S.BEA MMZ1005B601CT	T	109.1/113.0
EP501	6910019900	S.BEA MPZ1608S601AT	T	122.8/113.5
EP502	6910016540	S.BEA BLM15AG121SN1D	T	143.5/103.4
EP1001	6910018930	S.BEA MPZ2012S601A	T	74.4/133.5
EP1002	6910018930	S.BEA MPZ2012S601A	T	67.2/143.7
EP1041	6910018930	S.BEA MPZ2012S601A	T	85.5/130.5
EP1042	6910024810	S.BEA MPZ2012S300AT	T	89.5/144.3
EP1101	6910018930	S.BEA MPZ2012S601A	T	63.2/142.3
EP1102	6910018930	S.BEA MPZ2012S601A	T	51.6/133.2
EP1103	6910018930	S.BEA MPZ2012S601A	T	70.5/131.3
EP1112	6910024810	S.BEA MPZ2012S300AT	T	75.4/119.2
EP1201	6910018930	S.BEA MPZ2012S601A	T	91.1/127.4
EP1202	6910018930	S.BEA MPZ2012S601A	T	76.2/125.0
EP1203	6910018930	S.BEA MPZ2012S601A	T	61.3/120.2
EP1204	6910018930	S.BEA MPZ2012S601A	T	63.8/121.4

REF NO.	PART NO.	DESCRIPTION	M.	H/V LOCATION
EP1212	6910018930	S.BEA MPZ2012S601A	T	51.5/130.5
EP1551	6910023350	S.BEA MMZ1005B601CT	T	163.8/147.4
EP1601	6910023350	S.BEA MMZ1005B601CT	T	164.2/148.6
EP1621	6910023350	S.BEA MMZ1005B601CT	T	157.1/159.5
EP1901	6910019900	S.BEA MPZ1608S601AT	T	142.0/47.0
EP2001	6910019900	S.BEA MPZ1608S601AT	T	183.4/65.7
EP2002	6910019900	S.BEA MPZ1608S601AT	T	181.5/79.5
EP2101	6910019900	S.BEA MPZ1608S601AT	T	161.7/86.1
EP2102	6910019900	S.BEA MPZ1608S601AT	T	161.9/102.5
EP2261	6910018930	S.BEA MPZ2012S601A	T	201.6/154.5
EP2265	6910023350	S.BEA MMZ1005B601CT	T	207.1/155.2
EP2801	6910023350	S.BEA MMZ1005B601CT	T	108.7/51.4
EP2811	6910023350	S.BEA MMZ1005B601CT	T	115.3/50.2
EP2821	6910023350	S.BEA MMZ1005B601CT	T	121.9/50.2
EP2881	6910019900	S.BEA MPZ1608S601AT	T	117.5/125.4
EP2882	6910019900	S.BEA MPZ1608S601AT	T	118.5/131.9
EP3011	6910018460	S.BEA MMZ1005Y102C-T	T	59.2/38.0
EP3012	6910018460	S.BEA MMZ1005Y102C-T	T	71.1/38.8
EP3021	6910018460	S.BEA MMZ1005Y102C-T	T	59.2/31.9
EP3022	6910018460	S.BEA MMZ1005Y102C-T	T	71.2/32.6
EP3041	6910018460	S.BEA MMZ1005Y102C-T	T	57.9/21.9
EP3042	6910018460	S.BEA MMZ1005Y102C-T	T	69.0/22.3
EP3142	6910018460	S.BEA MMZ1005Y102C-T	T	17.5/25.2
EP3151	6910019900	S.BEA MPZ1608S601AT	T	19.2/33.2
EP3161	6910018460	S.BEA MMZ1005Y102C-T	T	20.9/42.3
EP5101	6910023350	S.BEA MMZ1005B601CT	T	10.9/140.8
EP5102	6910023350	S.BEA MMZ1005B601CT	T	125.6/141.0
EP7201	6910021240	S.BEA MMZ1005A152ET	T	41.4/59.3
EP7202	6910019900	S.BEA MPZ1608S601AT	T	34.3/66.3
EP7203	6910019900	S.BEA MPZ1608S601AT	T	31.3/67.7
EP7204	6910018460	S.BEA MMZ1005Y102C-T	T	31.9/74.8
EP7205	6910018460	S.BEA MMZ1005Y102C-T	T	33.1/75.7
EP7206	6910018930	S.BEA MPZ2012S601A	T	34.0/79.8
EP7501	6910018930	S.BEA MPZ2012S601A	T	18.6/104.6
EP7502	6910019900	S.BEA MPZ1608S601AT	T	18.5/106.8
EP7651	6910019900	S.BEA MPZ1608S601AT	T	58.1/129.9
EP7931	6910019900	S.BEA MPZ1608S601AT	T	47.1/113.7
EP8051	6910019900	S.BEA MPZ1608S601AT	T	73.1/112.9
EP8151	6910024810	S.BEA MPZ2012S300AT	T	69.9/112.9
EP8201	6910019900	S.BEA MPZ1608S601AT	T	75.6/112.9
EP8251	6910019900	S.BEA MPZ1608S601AT	T	64.6/112.9
EP8301	6910019900	S.BEA MPZ1608S601AT	T	76.9/112.9
EP8351	6910019900	S.BEA MPZ1608S601AT	T	62.0/112.9
EP8501	6910019900	S.BEA MPZ1608S601AT	T	56.8/112.9
EP8502	6910019900	S.BEA MPZ1608S601AT	T	59.4/112.9
EP8551	6910019900	S.BEA MPZ1608S601AT	T	63.3/112.9
EP8601	6910023420	S.BEA MMZ1005A222ET	T	108.3/35.6
EP8602	6910018460	S.BEA MMZ1005Y102C-T	T	105.7/34.9
EP8621	6910018460	S.BEA MMZ1005Y102C-T	T	104.5/35.4
EP8641	6910018460	S.BEA MMZ1005Y102C-T	T	80.1/42.5
EP8661	6910018460	S.BEA MMZ1005Y102C-T	T	85.6/63.7
EP8691	6910018460	S.BEA MMZ1005Y102C-T	T	84.0/50.3
EP8692	6910018460	S.BEA MMZ1005Y102C-T	T	87.1/75.6
EP8701	6910018460	S.BEA MMZ1005Y102C-T	T	72.3/53.5
EP8702	6910019900	S.BEA MPZ1608S601AT	T	63.0/60.6
EP8703	6910018460	S.BEA MMZ1005Y102C-T	T	73.5/50.8
EP8801	6910023350	S.BEA MMZ1005B601CT	T	16.2/112.2
EP8811	6910018460	S.BEA MMZ1005Y102C-T	T	25.2/114.5
EP9001	6910024660	S.BEA MPZ2012S102AT	T	26.6/8.9
EP9002	6910024660	S.BEA MPZ2012S102AT	T	24.8/8.9
EP9003	6910024660	S.BEA MPZ2012S102AT	T	23.0/8.9
EP9004	6910018460	S.BEA MMZ1005Y102C-T	T	21.3/9.8
EP9005	6910018460	S.BEA MMZ1005Y102C-T	T	20.3/9.8
EP9011	6910018460	S.BEA MMZ1005Y102C-T	T	14.3/9.8
EP9012	6910018460	S.BEA MMZ1005Y102C-T	T	13.3/9.8
EP9013	6910018460	S.BEA MMZ1005Y102C-T	T	12.3/9.8
EP9014	6910018460	S.BEA MMZ1005Y102C-T	T	11.3/10.1
EP9101	6910024660	S.BEA MPZ2012S102AT	T	131.8/8.9
EP9102	6910024660	S.BEA MPZ2012S102AT	T	130.0/8.9
EP9103	6910024660	S.BEA MPZ2012S102AT	T	128.2/8.9
EP9104	6910018460	S.BEA MMZ1005Y102C-T	T	126.5/9.8
EP9105	6910018460	S.BEA MMZ1005Y102C-T	T	125.5/9.8
EP9111	6910018460	S.BEA MMZ1005Y102C-T	T	119.5/9.8
EP9112	6910018460	S.BEA MMZ1005Y102C-T	T	118.5/9.8
EP9113	6910018460	S.BEA MMZ1005Y102C-T	T	117.5/9.8
EP9114	6910018460	S.BEA MMZ1005Y102C-T	T	117.0/16.1
EP9115	6910018460	S.BEA MMZ1005Y102C-T	T	118.0/16.1
EP9151	6910024660	S.BEA MPZ2012S102AT	T	130.3/126.5
EP9152	6910024660	S.BEA MPZ2012S102AT	T	135.3/126.1
EP9201	6910024660	S.BEA MPZ2012S102AT	T	181.4/8.9
EP9202	6910024660	S.BEA MPZ2012S102AT	T	179.4/8.9
EP9208	6910018460	S.BEA MMZ1005Y102C-T	T	175.4/16.1
EP9209	6910018460</			

**[MAIN UNIT]**

REF NO.	PART NO.	DESCRIPTION	M.	H/V LOCATION
EP9505	6910019900	S.BEA MPZ1608S601AT	T	173.3/108.5
EP9506	6910023350	S.BEA MMZ1005B601CT	T	173.8/106.5

Eqv.= This component is equivalent to the REF No. component listed above, and may be substituted on parts orders and repairs.

M.=Mounted side (T: Mounted on the Top side, B: Mounted on the Bottom side)  
H/V LOCATION= Shows mounting location on the PCB.

[RF-TX UNIT]

REF NO.	PART NO.	DESCRIPTION	M.	H/V LOCATION
IC51	1110007950	S.IC INA199A2DCKR	T	77.7/77.3
IC101	1110009820	S.IC MMG3H21NT1	T	32.5/48.0
IC211	1110008550	S.IC NJM2904CRB1-TE1	T	76.0/49.2
IC691	1110008550	S.IC NJM2904CRB1-TE1	T	125.3/59.5
Q31	1590005140	S.FET TJ50S06M3L	T	17.3/13.1
Q32	1590004060	S.TRA LDTC114EET1G	T	22.3/15.8
Q111	1550000500	S.FET RZF02P01T1	T	35.6/52.0
Q112	1590004060	S.TRA LDTC114EET1G	T	37.2/55.9
Q201	1560002490	S.FET PD85004-HF	T	49.3/48.0
Q301	1560002470	S.FET AFT05MP075NR1	T	98.2/31.6
D22	1710000831	S.DIO DF30SC4M-7072	T	47.2/26.4
D23	1750003510	S.ZEN TPSMD15A	T	19.3/21.6
D601	1750002230	S.DIO LRB751S-40T1G	T	148.8/52.2
D611	1750001810	S.DIO L1SS400T1G	T	125.0/55.6
D651	1750002230	S.DIO LRB751S-40T1G	T	153.2/58.9
D661	1750001810	S.DIO L1SS400T1G	T	125.0/63.8
FI1	2040002390	S.SAW TA1808A (440 MHz)	T	28.1/51.6
L101	6200011670	S.COI LQW18AN82NG00D	T	36.5/48.8
L102	6200015120	S.COI LQW15AN18NJ00D	T	35.6/44.2
L103	6200015120	S.COI LQW15AN18NJ00D	T	36.6/44.2
L202	6200009220	S.COI LQW18AN15NG00D (LQW1608A15NG00)	T	40.0/45.7
L221	6200012980	S.COI 0.40-1.4-5TR 18.3N	T	57.1/41.8
L321	6110003980	COI LA-604		
L501	6110000410	COI LA-69		
L502	6110000410	COI LA-69		
L601	6200017740	S.COI NLV25T-R18J-EF	T	149.8/49.2
L651	6200017740	S.COI NLV25T-R18J-EF	T	152.3/62.0
R32	7030015970	S.RES RMC1/16S-103JTH (10 k)	T	20.9/16.9
R51	7030015910	S.RES RMC1/16S-101JTH (100)	T	75.7/8.2
R52	7030013710	S.RES PMR50HZPFV2L00	T	77.8/4.3
R53	7030007230	S.RES ERA5YED 102V (1 k)	T	80.2/6.4
R54	7030021730	S.RES RG1608P-472-D-T5 (4.7 k)	T	80.2/7.6
R55	7030016090	S.RES RMC1/16S-223JTH (22 k)	T	80.5/11.6
R56	7030015910	S.RES RMC1/16S-101JTH (100)	T	79.4/9.9
R102	7030016560	S.RES RMC1/16SJPTH	T	28.1/48.0
R111	7030016050	S.RES RMC1/16S-102JTH (1 k)	T	37.1/54.1
R112	7030016110	S.RES RMC1/16S-473JTH (47 k)	T	35.3/54.1
R113	7030016110	S.RES RMC1/16S-473JTH (47 k)	T	39.4/51.5
R202	7030016290	S.RES RMC1/16S-222JTH (2.2 k)	T	42.1/49.3
R203	7030016560	S.RES RMC1/16SJPTH	T	42.1/51.1
R204	7030015520	S.RES RMC1/16SJPTH	T	37.9/46.4
R211	7030015970	S.RES RMC1/16S-103JTH (10 k)	T	73.5/51.3
R212	7030016020	S.RES RMC1/16S-104JTH (100 k)	T	72.3/50.8
R213	7030016020	S.RES RMC1/16S-104JTH (100 k)	T	71.7/49.3
R214	7030016220	S.RES RMC1/16S-563JTH (56 k)	T	72.7/49.3
R215	7030015910	S.RES RMC1/16S-101JTH (100)	T	42.8/54.4
R216	7030016050	S.RES RMC1/16S-102JTH (1 k)	T	43.1/49.3
R219	7030015910	S.RES RMC1/16S-101JTH (100)	T	72.7/47.5
R301	7030016120	S.RES RMC1/16S-682JTH (6.8 k)	T	89.3/37.9
R302	7030016120	S.RES RMC1/16S-682JTH (6.8 k)	T	89.3/25.3
R303	7030010250	S.RES ERJ1TY 0R00U (JPW)	T	86.9/31.6
R311	7030016330	S.RES RMC1/16S-153JTH (15 k)	T	80.2/50.2
R312	7030016020	S.RES RMC1/16S-104JTH (100 k)	T	79.2/50.2
R314	7030016560	S.RES RMC1/16SJPTH	T	79.2/48.4
R315	7030015910	S.RES RMC1/16S-101JTH (100)	T	79.0/47.0
R316	7030019390	S.RES RMC1/8-470JTP (47)	T	73.2/40.4
R317	7030014880	S.RES RMC1/8JPTP	T	76.8/42.0
R451	7510001551	S.THE NTCG16 4LH 333JT	T	92.0/42.2
R452	7030016420	S.RES RMC1/16S-182JTH (1.8 k)	T	90.5/44.3
R601	7030022290	S.RES RG1608P-101-D-T5 (100)	T	153.1/52.1
R602	7030022290	S.RES RG1608P-101-D-T5 (100)	T	154.3/52.1
R611	7030015960	S.RES RMC1/16S-472JTH (4.7 k)	T	128.0/57.5
R612	7030016020	S.RES RMC1/16S-104JTH (100 k)	T	127.0/55.7
R613	7030016020	S.RES RMC1/16S-104JTH (100 k)	T	126.0/55.7
R615	7030015960	S.RES RMC1/16S-472JTH (4.7 k)	T	123.9/55.8
R616	7030016280	S.RES RMC1/16S-331JTH (330)	T	122.7/57.3
R617	7030015970	S.RES RMC1/16S-103JTH (10 k)	T	122.7/55.3
R651	7030022290	S.RES RG1608P-101-D-T5 (100)	T	148.9/58.9
R652	7030022290	S.RES RG1608P-101-D-T5 (100)	T	147.7/58.9
R661	7030015970	S.RES RMC1/16S-103JTH (10 k)	T	127.6/61.7
R662	7030016020	S.RES RMC1/16S-104JTH (100 k)	T	127.6/63.5
R663	7030016020	S.RES RMC1/16S-104JTH (100 k)	T	126.0/63.1
R665	7030015960	S.RES RMC1/16S-472JTH (4.7 k)	T	123.9/63.1
R666	7030016280	S.RES RMC1/16S-331JTH (330)	T	122.7/60.9
R667	7030015970	S.RES RMC1/16S-103JTH (10 k)	T	122.7/62.9
R691	7030015910	S.RES RMC1/16S-101JTH (100)	T	122.1/59.5
R692	7030016560	S.RES RMC1/16SJPTH	T	28.1/54.2
C3	4030023030	S.CER 0402B103K250CT	T	10.7/24.3
C12	4030023030	S.CER 0402B103K250CT	T	9.3/40.5
C13	4030023090	S.CER 0402B102K500CT	T	9.3/39.5
C14	4030023090	S.CER 0402B102K500CT	T	9.3/38.5
C15	4030023090	S.CER 0402B102K500CT	T	9.3/37.5
C16	4030023090	S.CER 0402B102K500CT	T	9.3/36.5
C21	4030023090	S.CER 0402B102K500CT	T	77.8/12.0
C22	4030023030	S.CER 0402B103K250CT	T	70.9/3.1
C23	4510011410	S.ELE 25 CE 470 LX	T	65.9/7.6
C24	4030023010	S.CER 0402B104K160CT	T	71.9/3.1
C25	4030023030	S.CER 0402B103K250CT	T	72.9/3.1
C26	4030023090	S.CER 0402B102K500CT	T	77.8/11.1
C27	4030022860	S.CER 0402N470J500CT	T	72.0/12.4
C28	4030022750	S.CER 0402N221J500CT	T	72.0/11.5
C31	4030023090	S.CER 0402B102K500CT	T	22.3/14.2
C41	4030023030	S.CER 0402B103K250CT	T	12.4/20.3
C42	4030023030	S.CER 0402B103K250CT	T	10.9/12.8
C43	4030023090	S.CER 0402B102K500CT	T	12.4/21.2
C44	4030023090	S.CER 0402B102K500CT	T	10.0/12.8
C51	4030023010	S.CER 0402B104K160CT	T	77.3/9.3
C52	4030023010	S.CER 0402B104K160CT	T	80.6/8.7
C53	4030022640	S.CER 0402N101J500CT	T	80.6/9.6
C54	4030023010	S.CER 0402B104K160CT	T	78.5/9.9
C61	4030023010	S.CER 0402B104K160CT	T	91.7/14.1
C62	4030023090	S.CER 0402B102K500CT	T	92.6/14.1
C63	4030023010	S.CER 0402B104K160CT	T	119.6/2.8
C64	4030023090	S.CER 0402B102K500CT	T	120.6/2.8
C65	4030023010	S.CER 0402B104K160CT	T	80.2/12.8
C66	4030023090	S.CER 0402B102K500CT	T	81.1/12.9
C67	4030022860	S.CER 0402N470J500CT	T	82.0/13.1
C68	4030022860	S.CER 0402N470J500CT	T	90.8/14.1
C101	4030022870	S.CER 0402N471J500CT	T	29.2/46.8
C102	4030026750	S.CER RF15N7R0C500CT	T	35.8/47.3
C103	4030024550	S.CER 0402N3R5B500CT	T	36.4/45.8
C112	4030023090	S.CER 0402B102K500CT	T	37.2/57.6
C113	4030023090	S.CER 0402B102K500CT	T	38.4/51.5
C114	4030023010	S.CER 0402B104K160CT	T	40.2/49.0
C115	4030022870	S.CER 0402N471J500CT	T	39.3/49.0
C116	4030023090	S.CER 0402B102K500CT	T	38.3/49.0
C201	4030022790	S.CER 0402N2R5B500CT	T	36.8/47.3
C203	4030022590	S.CER 0402N8R0C500CT	T	38.6/44.2
C211	4030023090	S.CER 0402B102K500CT	T	71.7/47.5
C212	4030022870	S.CER 0402N471J500CT	T	43.5/50.5
C213	4030023090	S.CER 0402B102K500CT	T	43.5/51.4
C214	4030023010	S.CER 0402B104K160CT	T	43.5/52.3
C221	4030024650	S.CER GRM31A5C2J7R0DW01D	T	51.6/41.7
C222	4030020770	S.CER GRM31A5C2J330JW01D	T	63.8/46.9
C227	4030022870	S.CER 0402N471J500CT	T	56.2/39.1
C228	4030023010	S.CER 0402B104K160CT	T	57.2/39.1
C229	4030023090	S.CER 0402B102K500CT	T	58.2/39.1
C230	4030019560	S.CER GRM21BB31C106KE15L	T	54.2/39.5
C301	4030020790	S.CER GRM31A5C2J560JW01D	T	69.5/38.9
C302	4030020770	S.CER GRM31A5C2J330JW01D	T	72.6/35.2
C303	4030020740	S.CER GRM31A5C2J180JW01D	T	75.4/30.0
C305	4030020780	S.CER GRM31A5C2J470JW01D	T	84.9/38.3
C307	4030020780	S.CER GRM31A5C2J470JW01D	T	89.4/29.9
C313	4030022870	S.CER 0402N471J500CT	T	78.8/40.4
C314	4030023090	S.CER 0402B102K500CT	T	80.1/41.4
C315	4030023010	S.CER 0402B104K160CT	T	80.1/42.6
C321	4030025200	S.CER GQM22M5C2H150JB01L	T	107.0/43.5
C322	4030025200	S.CER GQM22M5C2H150JB01L	T	113.1/43.5
C324	4030025200	S.CER GQM22M5C2H150JB01L	T	107.0/19.8
C325	4030025200	S.CER GQM22M5C2H150JB01L	T	113.1/19.8
C328	4030022400	S.CER GQM22M5C2H8R0CB01L	T	133.5/33.9
C330	4030021290	S.CER GQM22M5C2H220JB01L	T	139.6/32.8
C331	4030022750	S.CER 0402N221J500CT	T	129.9/11.4
C332	4030023030	S.CER 0402B103K250CT	T	130.6/12.0
C333	4030023010	S.CER 0402B104K160CT	T	131.2/12.7
C334	4510011410	S.ELE 25 CE 470 LX	T	130.7/20.3
C411	4030021430	S.CER GQM22M5C2H4R0CB01L	T	145.3/35.6
C412	4030025210	S.CER GQM22M5C2H101JB01L	T	137.8/38.5
C451	4030023090	S.CER 0402B102K500CT	T	90.5/41.3
C452	4030022870	S.CER 0402N471J500CT	T	90.5/42.3
C453	4030023030	S.CER 0402B103K250CT	T	90.5/43.3
C501	4030024460	S.CER GQM22M5C2H1R5BB01L	T	137.8/43.6
C502	4030024580	S.CER GRM31A5C2J1R0CW01D	T	142.3/48.5
C503	4030021430	S.CER GQM22M5C2H4R0CB01L	T	144.6/39.1
C504	4030024580	S.CER GRM31A5C2J1R0CW01D	T	142.6/54.7
C505	4030025450	S.CER GQM22M5C2H7R0CB01L	T	145.9/47.5
C506	4030024580	S.CER GRM31A5C2J1R0CW01D	T	145.5/51.8
C507	4030024580	S.CER GRM31A5C2J1R0CW01D	T	156.1/54.1
C508	4030024580	S.CER GRM31A5C2J1R0CW01D	T	154.5/49.9
C603	4030023090	S.CER 0402B102K500CT	T	150.4/51.4
C604	4030022750	S.CER 0402N221J500CT	T	151.8/48.5
C612	4030023090	S.CER 0402B102K500CT	T	122.7/56.3
C653	4030023090	S.CER 0402B102K500CT	T	154.5/59.7
C654	4030022750	S.CER 0402N221J500CT	T	151.7/60.1
C661	4030023090	S.CER 0402B102K500CT	T	127.6/62.6
C662	4030023090	S.CER 0402B102K500CT	T	122.7/61.9
C691	4030023090	S.CER 0402B102K500CT	T	123.1/59.5
J1	6510021722	S.CON 30FLT-SM2-TB(LF)(SN)(M)	T	5.0/20.0
J41	6510022311	S.CON B5B-PH-SM4-TB(LF)(SN)	T	5.8/18.5
J101	6510032350	S.CON 20279-001E-01	T	28.1/58.1
F21	5220000440	HOL FHA040-01		
F22	5210001430	FUS 11930011 (BFLP 5A 58V)		
EP2	6910024660	S.BEA MPZ2012S102AT	T	13.0/51.9
EP3	6910024660	S.BEA MPZ2012S102AT	T	13.0/50.1
EP4	6910018460	S.BEA MMZ1005Y102C-T	T	12.1/48.5
EP5	6910018460	S.BEA MMZ1005Y102C-T	T	12.1/47.5
EP12	6910018460	S.BEA MMZ1005Y102C-T	T	12.1/40.5
EP13	6910018460	S.BEA MMZ1005Y102C-T	T	12.1/39.5
EP14	6910018460	S.BEA MMZ1005Y102C-T	T	12.1/38.5
EP15	6910018460	S.BEA MMZ1005Y102C-T	T	12.1/37.5
EP21	6910020710	E.O OT-047 M3		
EP22	6910020710	E.O OT-047 M3		
EP41	6910024660	S.BEA MPZ2		

[RF-RX UNIT]

REF NO.	PART NO.	DESCRIPTION	M.	H/V LOCATION
IC1161	1110009890	S.IC NJG1152KA1-TE1	T	102.0/11.8
IC1162	1180004760	S.REG S-1200B33-M5T1U	T	96.3/20.6
Q701	1520000651	S.TRA 2SB1201S-TL-E	T	141.1/41.6
Q702	1510001200	S.TRA L2SA1576ART1G	T	143.3/48.0
Q703	1590004060	S.TRA LDTC114EET1G	T	145.1/53.5
Q1181	1530004100	S.TRA MT3S20P(TE12LF)	T	83.1/10.5
D1161	1790002170	S.VAR LXES15AAA1-133	T	104.6/10.6
D1162	1750001820	S.DIO LRB706F-40T1G	T	96.5/15.9
FH1191	2040002390	S.SAW TA1808A (440 MHz)	T	91.1/11.5
L501	6110000410	COI LA-69		
L502	6110000410	COI LA-69		
L701	6200010780	S.COI C2520C-1R0G-A	T	149.8/12.6
L1101	6200012800	S.COI 0.40-1.5-5TL 20N	T	124.0/14.5
L1102	6200013070	S.COI 0.40-1.1-6TR 15.6N	T	119.6/14.5
L1151	6200014450	S.COI 0.40-1.4-2TL 5.3J	T	111.6/11.7
L1161	6200013840	S.COI MLK1005S18NJT	T	100.0/12.8
L1162	6200011860	S.COI LQW18ANR47G00D	T	99.5/15.4
L1181	6200014760	S.COI MLK1005SR22JT	T	79.8/12.2
L1191	6200011800	S.COI C2520C-47NG-A	T	76.0/6.3
L1192	6200014810	S.COI LQW18AN22NG10D	T	106.3/11.0
L1193	6200010700	S.COI LQW18AN12NG00D	T	96.9/11.8
R701	7030021320	S.RES RMC1-1R5JTE (1.5)	T	140.0/50.4
R702	7030015960	S.RES RMC1/16S-472JTH (4.7 k)	T	141.2/45.9
R703	7030016070	S.RES RMC1/16S-474JTH (470 k)	T	144.0/50.5
R704	7030016420	S.RES RMC1/16S-182JTH (1.8 k)	T	145.1/47.6
R705	7030016380	S.RES RMC1/16S-183JTH (18 k)	T	139.2/33.9
R706	7030015960	S.RES RMC1/16S-472JTH (4.7 k)	T	138.0/33.4
R1101	7030016560	S.RES RMC1/16SJPTH	T	123.8/11.5
R1161	7030015970	S.RES RMC1/16S-103JTH (10 k)	T	102.6/16.6
R1162	7030016330	S.RES RMC1/16S-153JTH (15 k)	T	103.1/15.2
R1163	7030016390	S.RES RMC1/16S-184JTH (180 k)	T	103.7/10.6
R1164	7030015940	S.RES RMC1/16S-681JTH (680)	T	100.0/13.7
R1166	7030016300	S.RES RMC1/16S-332JTH (3.3 k)	T	98.5/22.1
R1182	7030015950	S.RES RMC1/16S-152JTH (1.5 k)	T	87.0/10.1
R1183	7030016460	S.RES RMC1/16S-181JTH (180)	T	86.1/8.5
R1184	7030015930	S.RES RMC1/16S-471JTH (470)	T	86.1/11.7
R1185	7030016250	S.RES RMC1/16S-220JTH (22)	T	80.1/13.2
R1186	7030016590	S.RES RMC1/16S-120JTH (12)	T	80.6/14.5
R1187	7030016520	S.RES RMC1/16S-270JTH (27)	T	77.3/13.5
R1188	7030016570	S.RES RMC1/16S-180JTH (18)	T	79.0/10.4
R1189	7030016020	S.RES RMC1/16S-104JTH (100 k)	T	94.0/20.7
R1190	7030016370	S.RES RMC1/16S-271JTH (270)	T	79.4/9.2
R1191	7030016370	S.RES RMC1/16S-271JTH (270)	T	78.5/9.2
R1192	7030016150	S.RES RMC1/16S-100JTH (10)	T	99.1/11.8
R1193	7030016050	S.RES RMC1/16S-102JTH (1 k)	T	98.4/15.4
C10	4030023030	S.CER 0402B103K250CT	T	8.8/16.3
C11	4030023030	S.CER 0402B103K250CT	T	8.8/15.3
C412	4030025210	S.CER GQM22M5C2H101JB01L	T	130.9/12.2
C501	4030024460	S.CER GQM22M5C2H1R5BB01L	T	135.9/12.2
C502	4030024580	S.CER GRM31A5C2J1R0CW01D	T	142.3/16.6
C503	4030022380	S.CER GQM22M5C2H3R0BB01L	T	131.4/18.9
C504	4030024580	S.CER GRM31A5C2J1R0CW01D	T	143.9/20.2
C505	4030022400	S.CER GQM22M5C2H8R0CB01L	T	139.8/20.3
C506	4030024580	S.CER GRM31A5C2J1R0CW01D	T	146.3/20.2
C701	4030023090	S.CER 0402B102K500CT	T	142.7/50.5
C703	4030023090	S.CER 0402B102K500CT	T	141.2/45.0
C704	4030023090	S.CER 0402B102K500CT	T	137.1/33.4
C705	4030023030	S.CER 0402B103K250CT	T	150.2/18.9
C706	4030022750	S.CER 0402N221J500CT	T	151.1/18.9
C707	4030023030	S.CER 0402B103K250CT	T	152.0/18.9
C1101	4030022870	S.CER 0402N471J500CT	T	125.0/11.0
C1103	4030026740	S.CER RF15N5R0B500CT	T	121.8/11.0
C1104	4030022810	S.CER 0402N330J500CT	T	120.2/11.5
C1105	4030026760	S.CER RF15N8R0C500CT	T	118.9/11.0
C1151	4030026680	S.CER RF15N9R0C500CT	T	116.6/11.0
C1152	4030022560	S.CER 0402N5R0B500CT	T	115.3/11.4
C1153	4030026730	S.CER RF15N4R0B500CT	T	113.5/11.4
C1154	4030017630	S.CER C1005 CH 1H 120J-T	T	109.3/11.0
Eqv.	4030026570	S.CER RF15N120J500CT		
C1155	4030022560	S.CER 0402N5R0B500CT	T	114.4/11.4
C1161	4030023030	S.CER 0402B103K250CT	T	103.1/14.3
C1162	4030023030	S.CER 0402B103K250CT	T	100.0/10.9
C1163	4030023030	S.CER 0402B103K250CT	T	100.0/18.0
C1164	4030025230	S.CER TMK107BJ105KAHT	T	95.9/23.0
C1165	4030025230	S.CER TMK107BJ105KAHT	T	99.5/22.4
C1181	4030023090	S.CER 0402B102K500CT	T	86.1/10.1
C1182	4030022630	S.CER 0402N100C500CT	T	79.7/14.5
C1183	4030017630	S.CER C1005 CH 1H 120J-T	T	79.8/11.3
Eqv.	4030026570	S.CER RF15N120J500CT		
C1184	4030023090	S.CER 0402B102K500CT	T	78.2/13.5
C1185	4030023010	S.CER 0402B104K160CT	T	77.7/14.7
C1188	4030026730	S.CER RF15N4R0B500CT	T	87.0/11.7
C1191	4030022630	S.CER 0402N100C500CT	T	76.9/10.4
C1192	4030022630	S.CER 0402N100C500CT	T	75.1/10.4
C1193	4030017540	S.CER C1005 CH 1H R75B-T	T	75.6/9.2
Eqv.	4030024490	S.CER 0402NR75B500CT		
C1194	4030026720	S.CER RF15N3R0B500CT	T	76.5/9.2
C1195	4030023030	S.CER 0402B103K250CT	T	103.1/17.8
C1196	4030023030	S.CER 0402B103K250CT	T	95.6/24.0
C1197	4030023030	S.CER 0402B103K250CT	T	77.7/15.6
C1198	4030023030	S.CER 0402B103K250CT	T	15.2/21.9
C1199	4030023030	S.CER 0402B103K250CT	T	15.2/24.3
C1200	4030022860	S.CER 0402N470J500CT	T	93.8/11.8
C1201	4030022860	S.CER 0402N470J500CT	T	88.2/10.9

REF NO.	PART NO.	DESCRIPTION	M.	H/V LOCATION
C1202	4030023090	S.CER 0402B102K500CT	T	16.1/24.3
C1203	4030023090	S.CER 0402B102K500CT	T	16.2/21.9
C1204	4030023090	S.CER 0402B102K500CT	T	15.0/26.7
C1205	4030023090	S.CER 0402B102K500CT	T	77.7/16.5
C1206	4030023090	S.CER 0402B102K500CT	T	95.6/24.9
C1207	4030023090	S.CER 0402B102K500CT	T	100.0/17.1
C1208	4030023090	S.CER 0402B102K500CT	T	103.1/13.4
C1209	4030026870	S.CER RF15N2R5B500CT	T	108.1/11.5
C1210	4030024550	S.CER 0402N3R5B500CT	T	95.2/11.4
CP700	6910009670	S.CHE HK3-S-T	T	37.8/10.7
CP701	6910009670	S.CHE HK3-S-T	T	31.3/9.2
J1201	6510032350	S.CON 20279-001E-01	T	71.7/10.4
EP1	6910024660	S.BEA MPZ2012S102AT	T	12.9/27.1
EP2	6910024660	S.BEA MPZ2012S102AT	T	12.9/22.4
EP3	6910024660	S.BEA MPZ2012S102AT	T	12.9/24.8
EP11	6910018460	S.BEA MMZ1005Y102C-T	T	11.4/15.3
EP701	6910024660	S.BEA MPZ2012S102AT	T	136.6/53.3
EP702	6910014730	S.BEA MPZ2012S331A-T	T	140.9/32.9
EP703	6910014730	S.BEA MPZ2012S331A-T	T	150.3/16.4
EP1161	6910019900	S.BEA MPZ1608S601AT	T	99.5/19.8
EP1162	6910024660	S.BEA MPZ2012S102AT	T	95.1/27.0
EP1163	6910024660	S.BEA MPZ2012S102AT	T	77.3/18.6

Eqv.= This component is equivalent to the REF No. component listed above, and may be substituted on parts orders and repairs.

M.=Mounted side (T: Mounted on the Top side, B: Mounted on the Bottom side)  
H/V LOCATION= Shows mounting location on the PCB.

**[FRONT-R UNIT]**

REF NO.	PART NO.	DESCRIPTION		M.	H/V LOCATION
J1255	6510019421	S.CON	B8B-ZR-SM4-TF	T	56.9/40.2
J1801	6510022801	S.CON	B10B-PH-SM4-TB	T	12.3/18.4
J1951	6510024040	CON	TM11R-5M2-88-LP		
J2002	6510022022	S.CON	14FLT-SM2-TB	T	10.8/37.1

Eqv.= This component is equivalent to the REF No. component listed above, and may be substituted on parts orders and repairs.

M.=Mounted side (T: Mounted on the Top side, B: Mounted on the Bottom side)  
H/V LOCATION= Shows mounting location on the PCB.

# SECTION 8

# MECHANICAL PARTS

## [FRONT-L UNIT]

REF NO.	PART NO.	DESCRIPTION	QTY.
J1*	6510022472	40FLT-SM2-TB (LF) (SN) (M)	1
J2*	6510015541	B4B-ZR-SM4-TF (LF) (SN)	1
J21*	6510034190	DM1AA-SF-PEJ (82)	1
J31	6510024040	TM11R-5M2-88-LP	1
J51*	6510022022	14FLT-SM2-TB (LF) (SN) (M)	1
S5	2260002590	SKHHLU	1
S6	2220000631	MFS201N-16-Z	1
T10*	5910001380	TS8121CM HF	1

## [CHASSIS UNIT]

REF NO.	PART NO.	DESCRIPTION	QTY.
J1	6510000330	NR-DS-01	1
J2	6510000330	NR-DS-01	1
MF1	2710001060	FD128025HB-N (2N7R1)	1
W51**	8920003070	CAB-1353	1
W101**	8920003120	CAB-1355 (822Z83150000000101)	1
W112**	8920003110	CAB-1354 (822Z82150000000101)	1
W131**	8920002430	CAB-1327 (89762-9524)	1
W201**	8900016110	OPC-1680 (P0.5N30L100)	1
W202**	8900016110	OPC-1680 (P0.5N30L100)	1
W204**	8910000220	FFC-1024 (P0.5N40L120)	1
W205**	8900021220	OPC-2264 (P0.5N14L80)	1
W206**	8920003390	CAB-1401	1
W207**	8920003400	CAB-1402	1
W208**	8920003410	CAB-1403	1
EP1	6910025930	S80-5	1
MP11	8930100220	3913 ANT PLATE	2
MP12	8820000530	FLANGE BOLT M4 x 8 NI	1
MP13	8850000140	FLAT WASHER M4 NI BS	2
MP14	8850000430	S-WASHER M4 NI	1
MP17	8810010580	SET SCREW A M4 x 32	4
MP18	8810008661	PHBT M3 x 8 NI-ZC3	4
MP40	8930048350	2146 LENS	4
MP43	8930079140	SPONGE (KL)	2
MP44	8810008790	FLAT M3 x 6 NI	3
MP48	8810009050	SET SCREW H M3 x 10 NI	2
MP52	8810008661	PHBT M3 x 8 NI-ZC3	10
MP53	8810008661	PHBT M3 x 8 NI-ZC3	9
MP55	8810008661	PHBT M3 x 8 NI-ZC3	15
MP58	8810007231	SET SCREW H M3 x 8 ZC3	5
MP59	8810007231	SET SCREW H M3 x 8 ZC3	5
MP60	8810007131	SET SCREW H M3 x 6 ZC3	2
MP61	8950003640	CS-2 (COATING CLIP)	3
MP87	8930071690	PJ-13B	1
MP91	8810008661	PHBT M3 x 8 NI-ZC3	15
MP92	8810003401	SET SCREW C M4 x 10 ZC3	4
MP94	8810007410	PH M3 x 6 NI	7
MP95	8810003161	SET SCREW A M3 x 6 ZC3	8
MP97	8930082640	DOUBLE SIDE TAPE (BL)	1
MP101	8010025110	4077 DC-CHASSIS	1
MP104	8510022900	4077 RF-RX COVER (NC)	1
MP111	8010025141	4077 A-CHASSIS-1 (NC)	1
MP112	8210036140	4077 PANEL (C) (NC)	1
		4077 PANEL (NC)	1
		4077 FR-CHASSIS (NC)	1
		4077 COVER (NC)	1
MP113	8010025190	BH-60B	1
MP114	8110011760	Z-P8B	1
MP115	8930102560	3705 CAP SCREW	2
MP116	8850003920	4077 NET	4
MP117	8820001750	4077 NET	4
MP118	8930102450	EARTH SPRING (C)-1	1
MP119	8930004071	THERMAL SHEET (DZ) TC200CAT-20 20 x 20	3
MP200	8930105770	THERMAL SHEET (DX) TC200CAT10.5 x 10.5	1
MP201	8930105760	THERMAL SHEET (DX) TC200CAT10.5 x 10.5	2
MP202	8930106070	DP-250 DOMED PLUG	3

## [MAIN UNIT]

REF NO.	PART NO.	DESCRIPTION	QTY.
J101*	6510025142	10FLT-SM2-TB (LF) (SN) (M)	1
J301*	6510027290	52808-0671	1
J302*	6510025760	B5B-ZR-SM4-TF (LF) (SN)	1
J311*	6510022022	14FLT-SM2-TB (LF) (SN) (M)	1
J331*	6510023980	20R-JMCS-G-B-TF (NSA)	1
J1621	6510026540	UBB-4R-D14T-4D (LF) (SN)	1
J2881*	6510018961	B2B-PH-SM4-TB (LF) (SN)	1
J3081*	6510032350	20279-001E-01	1
J3101*	6510032350	20279-001E-01	1
J5101	6510023631	3012S-01R	1
J5201	6510023331	3012S-02R	1
J7402	6510025940	PJ-3047S	1
J7931*	6510019971	52808-1071	1
J8661*	6510032350	20279-001E-01	1
J8801*	6510032350	20279-001E-01	1
J9001*	6510021722	30FLT-SM2-TB (LF) (SN) (M)	1
J9101*	6510021722	30FLT-SM2-TB (LF) (SN) (M)	1
J9151*	6510022311	B5B-PH-SM4-TB (LF) (SN)	1
J9401*	6510022472	40FLT-SM2-TB (LF) (SN) (M)	1
J9451*	6510019421	B8B-ZR-SM4-TF (LF) (SN)	1
J9501*	6510023261	B6B-PH-SM4-TB (LF) (SN)	1
S171*	2230001591	LS38J2F-T	1
S2801	2220000860	MS-12AAV4	1
S2802	2220000860	MS-12AAV4	1
MP248	8510023430	4077 M-SHIELD PLATE	1
MP1001	8510019780	3183 A-MAIN CASE	1
MP1002*	8930082602	SHIELD SPONGE (CT)-2	1
MP2201	8510022630	3913 AF CASE	1
MP7202	8510021830	3765 S-CASE	1
MP7351	8510021830	3765 S-CASE	1
MP7352	8510017881	2844 MIX A-CASE-1	1
MP7353*	8510019650	3250 VCO CASE	1
MP8601*	8510020940	3537 D-SHIELD CASE	1
MP8602	8930101790	3913 SPONGE	1
MP8603	8930100110	SPONGE (PU)	1
MP8604	8930100110	SPONGE (PU)	1
MP8641*	8510022610	3913 SHIELD CASE	1
MP8661*	8510022670	4062 SHIELD CASE	1
MP8801	8930070530	2914 B-EARTH SPRING	1
MP8802	8930105770	THERMAL SHEET (DZ) TC200CAT-20 20 x 20	1

## [RF-TX UNIT]

REF NO.	PART NO.	DESCRIPTION	QTY.
J1*	6510021722	30FLT-SM2-TB (LF) (SN) (M)	1
J41*	6510022311	B5B-PH-SM4-TB (LF) (SN)	1
J101*	6510032350	20279-001E-01	1
F21*	5220000440	FHA040-01	1
F22*	5210001430	11930011 (BFLP 5A 58V)	1
EP21*	6910020710	OT-047 M3	1
EP22*	6910020710	OT-047 M3	1
MP301*	8410003220	3913 B-CU HEATSINK	1

## [RF-RX UNIT]

REF NO.	PART NO.	DESCRIPTION	QTY.
J1*	6510021722	30FLT-SM2-TB (LF) (SN) (M)	1
J1201*	6510032350	20279-001E-01	1

\*: Refer to "BOARD LAYOUTS" for the location.

\*\* : Refer to "GENERAL WIRING" for the connection

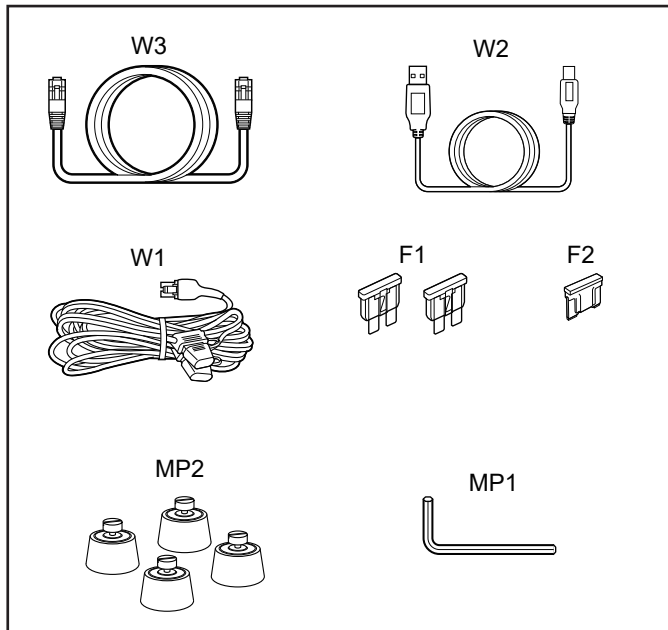
Screw abbreviations A, B0, BT: Self-tapping PH: Pan head BS: Brass NI: Nickel ZU: Zinc SUS: Stainless

**[FRONT-R UNIT]**

REF NO.	PART NO.	DESCRIPTION	QTY.
J1255*	6510019421	B8B-ZR-SM4-TF (LF) (SN)	1
J1801*	6510022801	B10B-PH-SM4-TB (LF) (SN)	1
J1951*	6510024040	TM11R-5M2-88-LP	1
J2002*	6510022022	14FLT-SM2-TB (LF) (SN) (M)	1

**[SUPPLIED ACCESSORIES]**

REF NO.	PART NO.	DESCRIPTION	QTY.
F1	5210001590	ATQ 10A 32V	2
F2	5210001430	11930011 (BFLP 5A 58V)	1
W1	8900022800	OPC-2467	1
W2	8900010530	OPC-1045	1
W3	8900022600	OPC-2423	1
MP1	8860001320	HEX WRENCH 3MM	1
MP2	8930105980	RUBBER STAND (R)	4
MP3	8310097920	4077 CABLE TAG STICKER	1



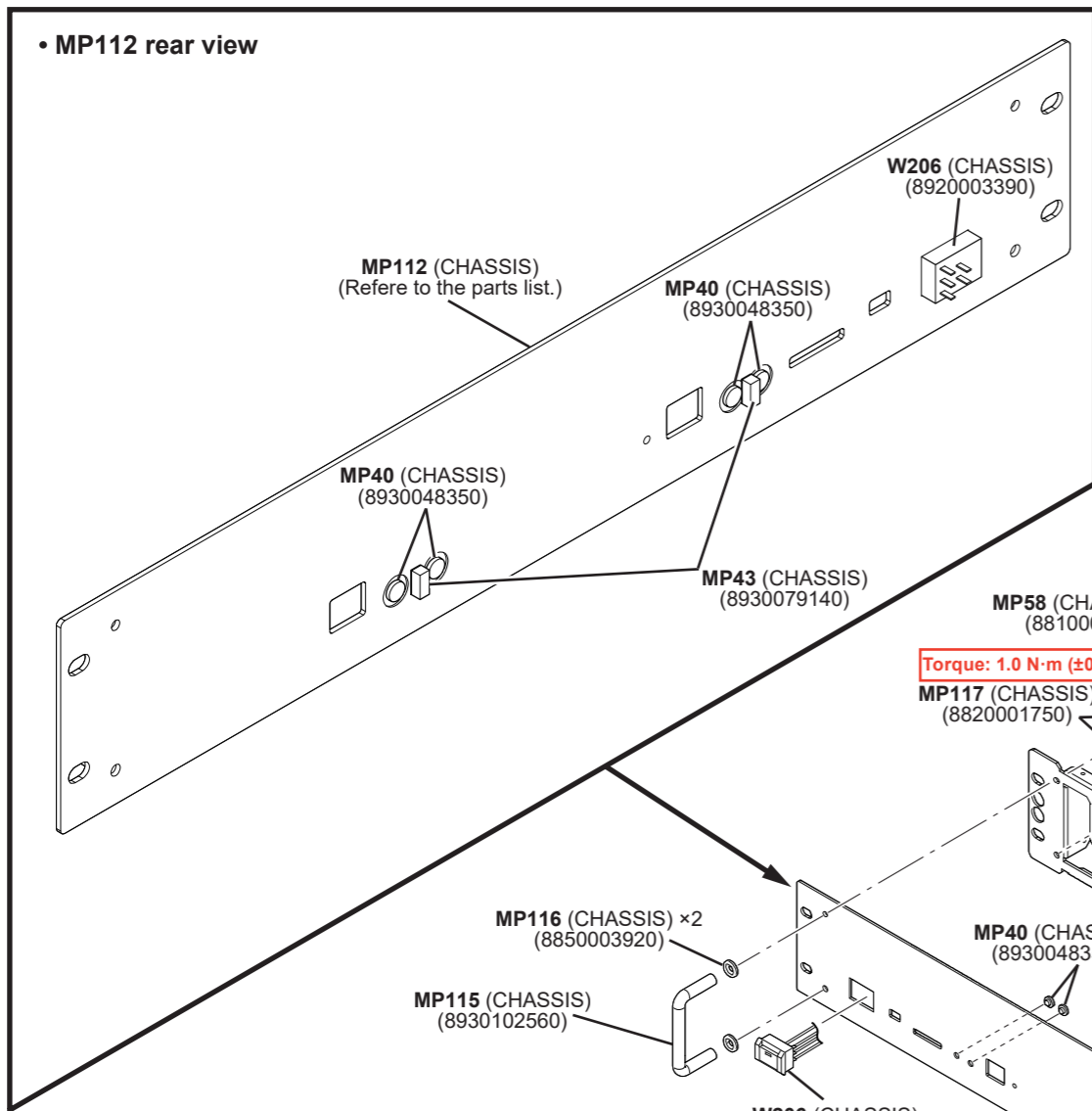
\*: Refer to "BOARD LAYOUTS" for the location.

\*\* : Refer to "GENERAL WIRING" for the connection

Screw abbreviations A, B0, BT: Self-tapping PH: Pan head BS: Brass NI: Nickel ZU: Zinc SUS: Stainless

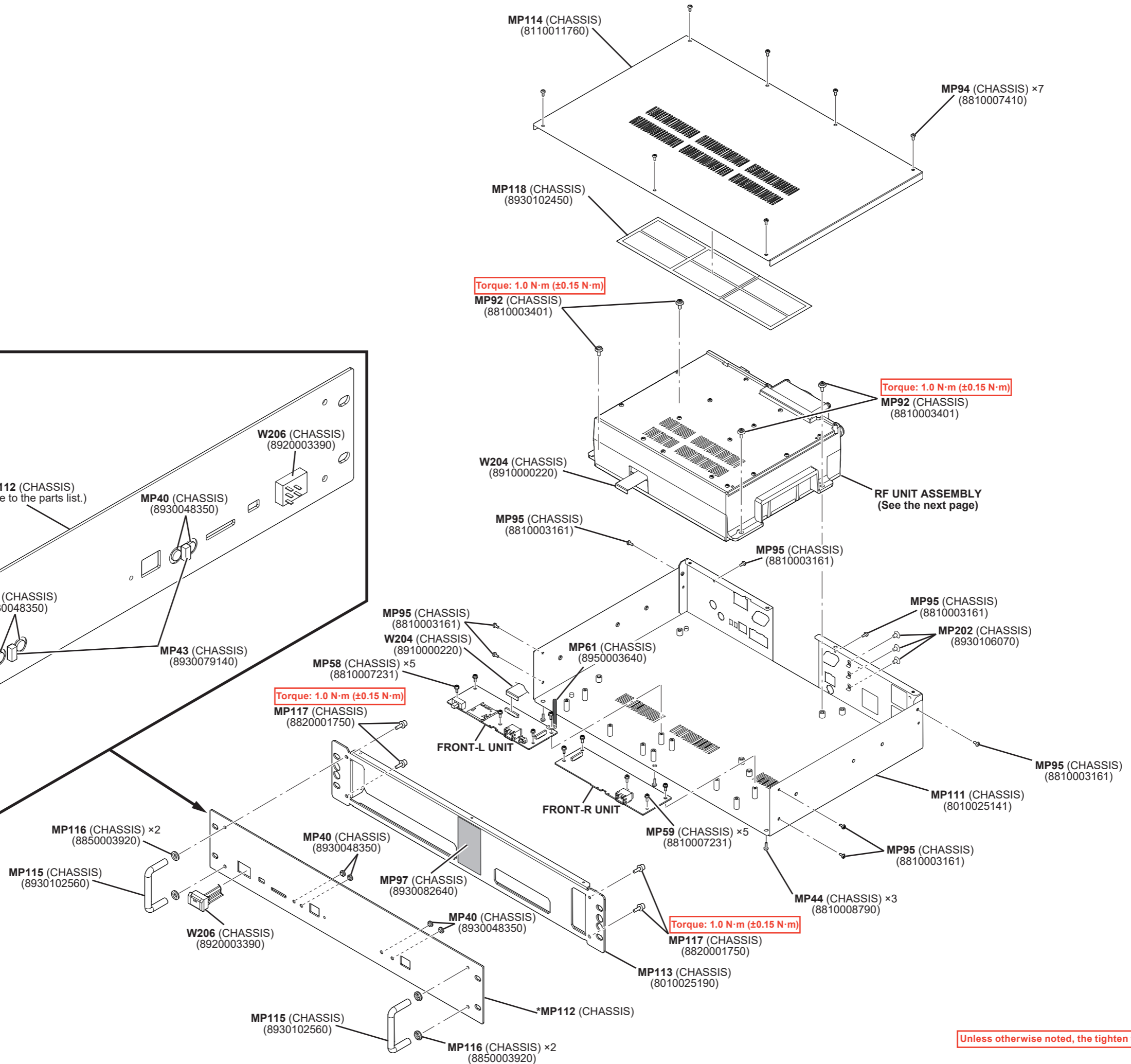


• CHASSIS ASSEMBLY



**Legend:**

Ref. No.	Unit Name
MP1	(CHASSIS)
(1234567890)	
Parts No.	



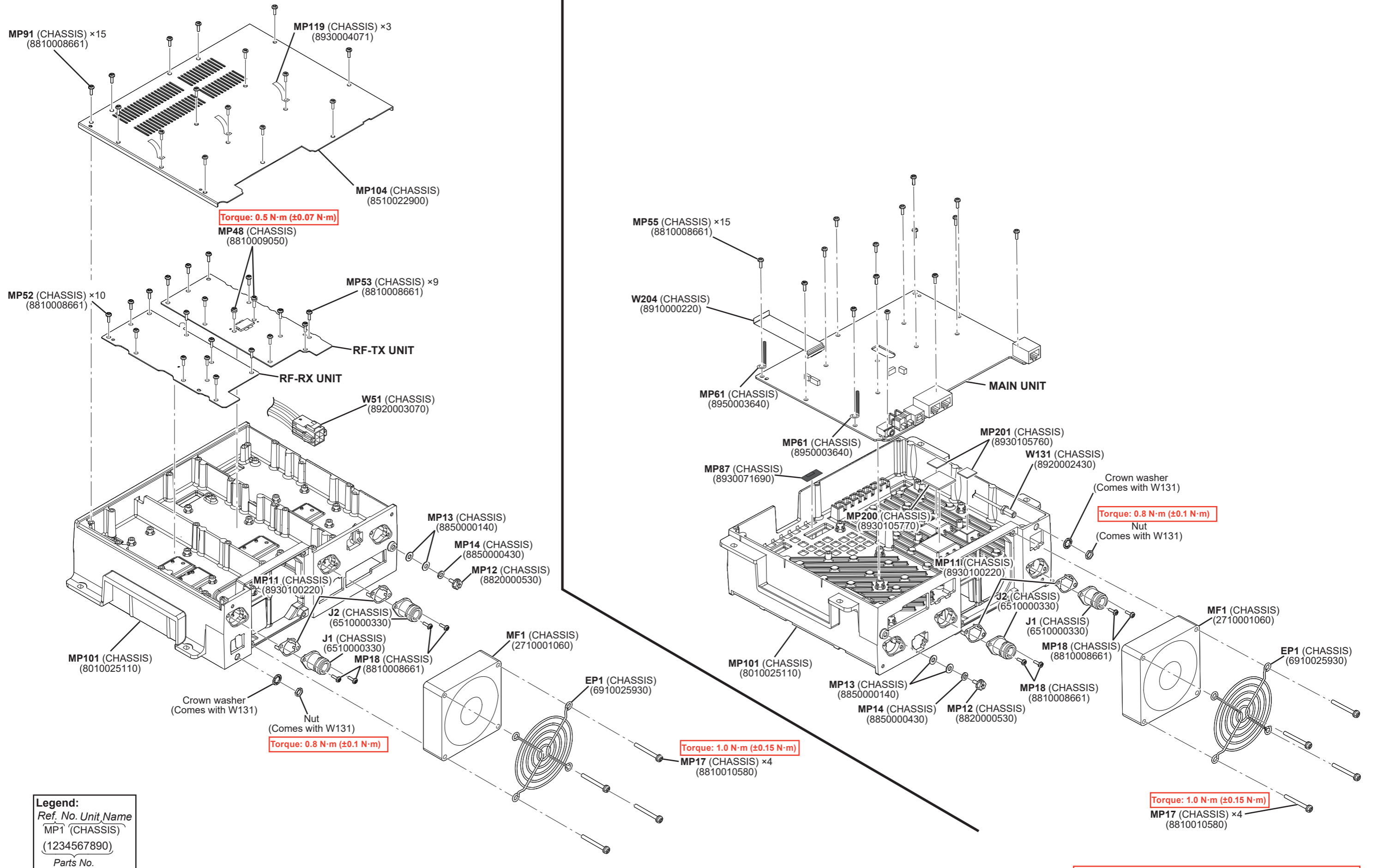
Unless otherwise noted, the tighten to torque is 0.7 N·m (±0.1 N·m).

\*Refer to the Mechanical Parts list.

• RF UNIT ASSEMBLY

Top view

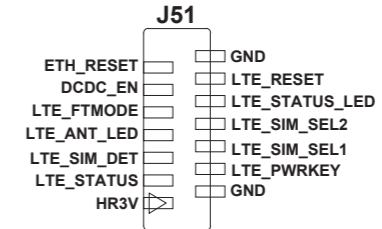
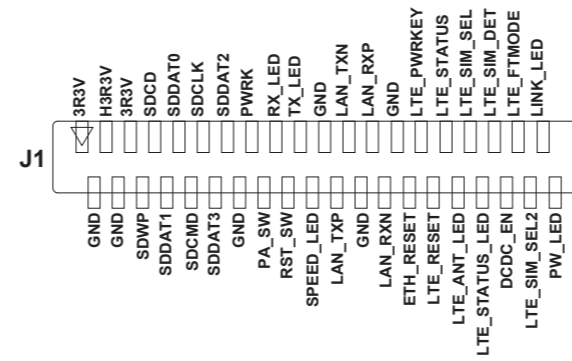
Bottom view



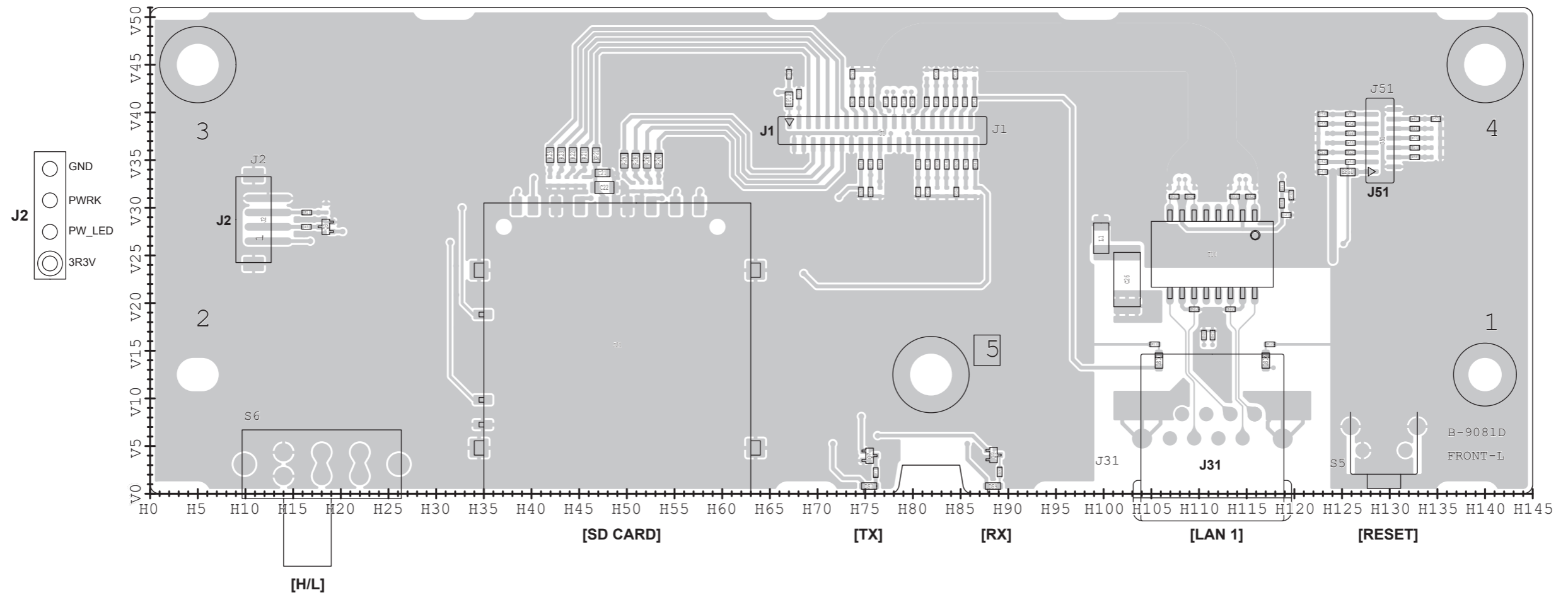
**Legend:**  
 Ref. No. Unit Name  
 MP1 (CHASSIS)  
 (1234567890)  
 Parts No.

Unless otherwise noted, the tighten to torque is 0.7 N·m (±0.1 N·m).

\*Refer to the Mechanical Parts list.

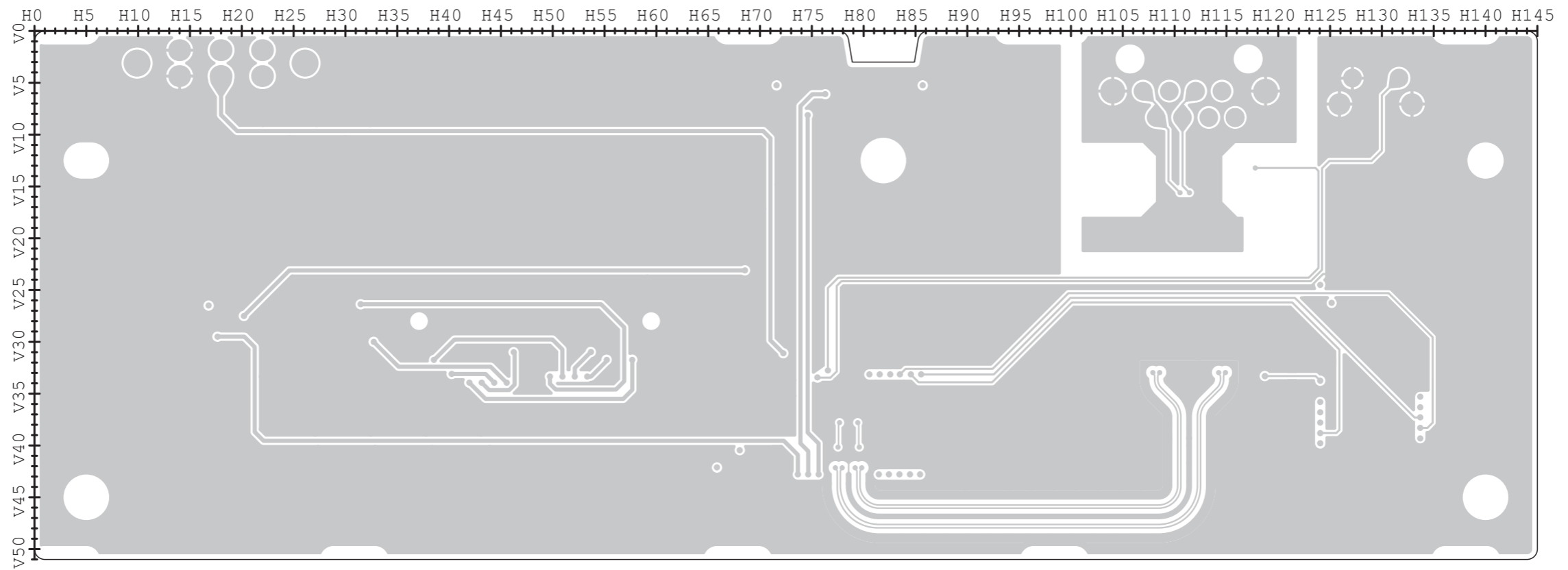


• FRONT-L UNIT (B-9081D: Top view)



**NOTE:** Some parts may not be mounted on the PCB, depending on the transceiver version. Refer to the PARTS LIST for the mounted parts. The scale along the PCB indicates the corresponding "H/V LOCATION" on the parts list.

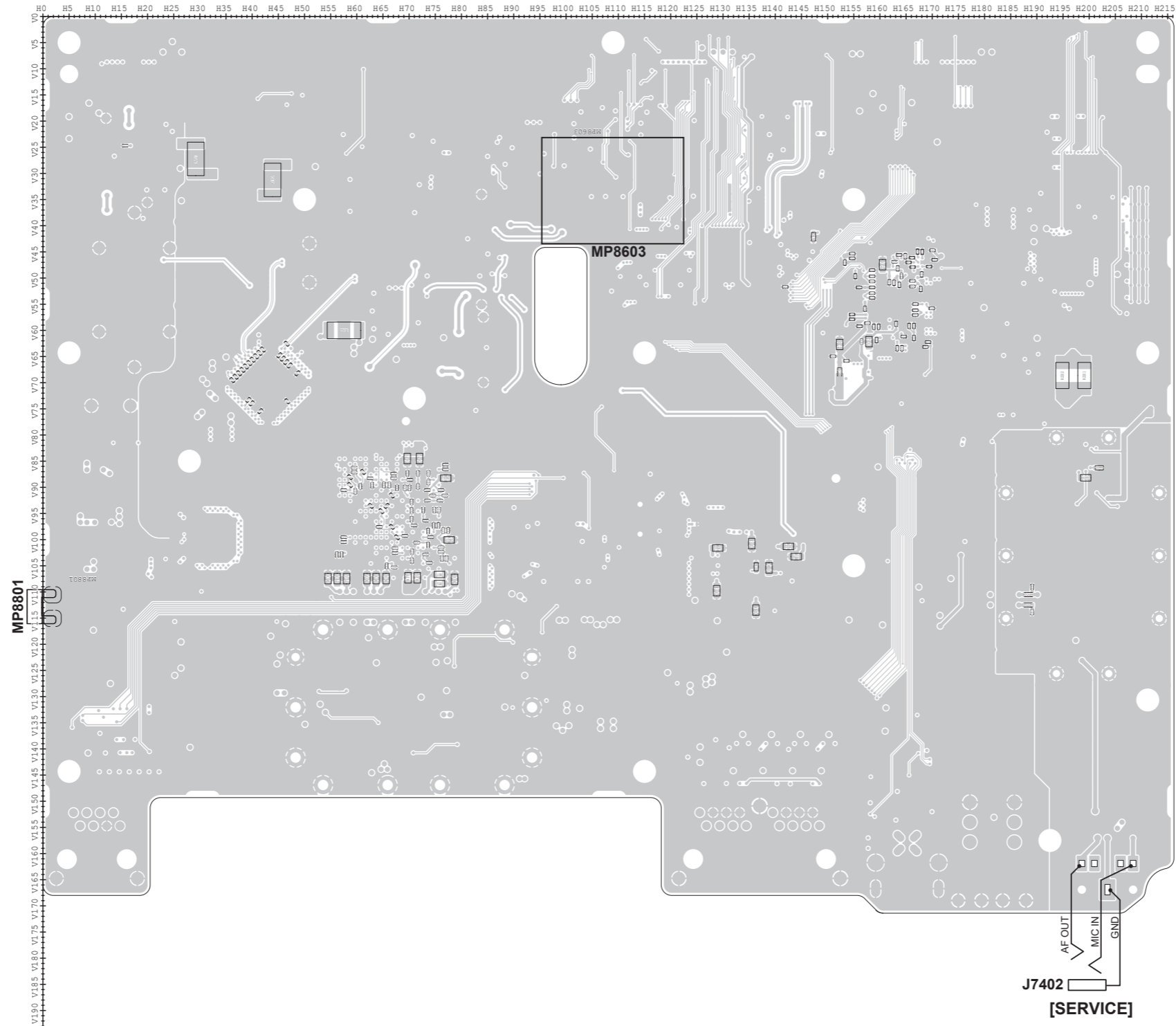
• FRONT-L UNIT (B-9081D: Bottom view)



**NOTE:** Some parts may not be mounted on the PCB, depending on the transceiver version.  
Refer to the PARTS LIST for the mounted parts.  
The scale along the PCB indicates the corresponding "H/V LOCATION" on the parts list.

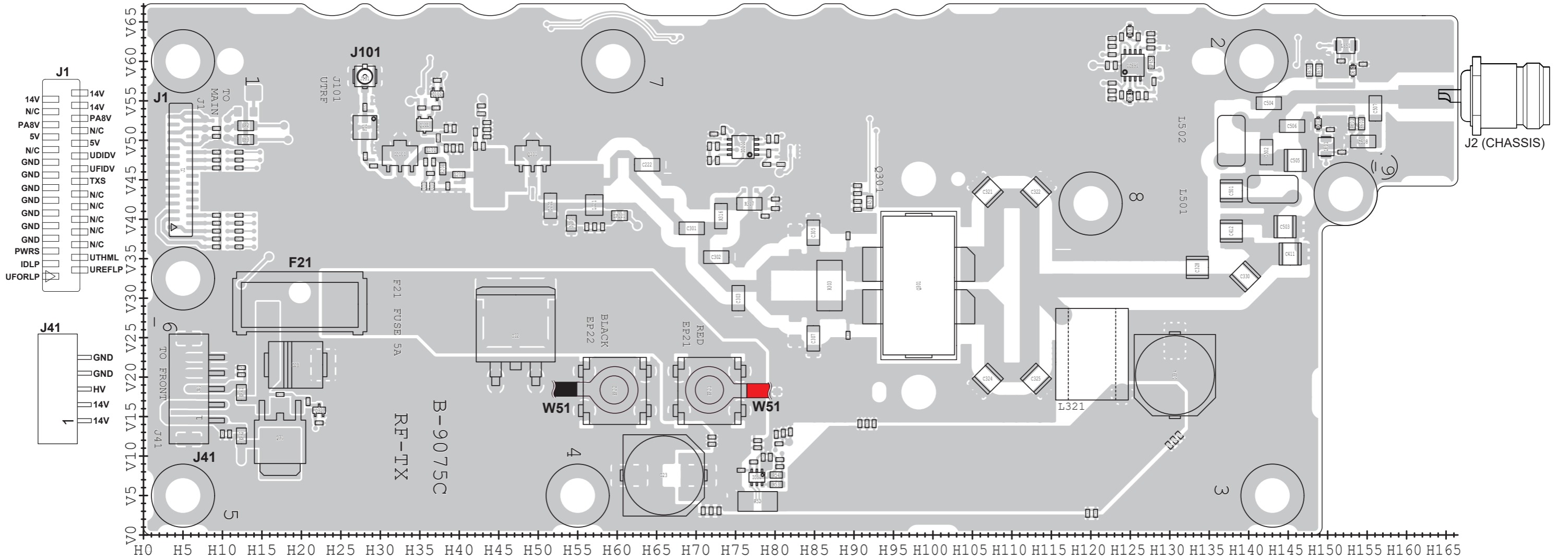


• MAIN UNIT (B-9074D: Bottom view)



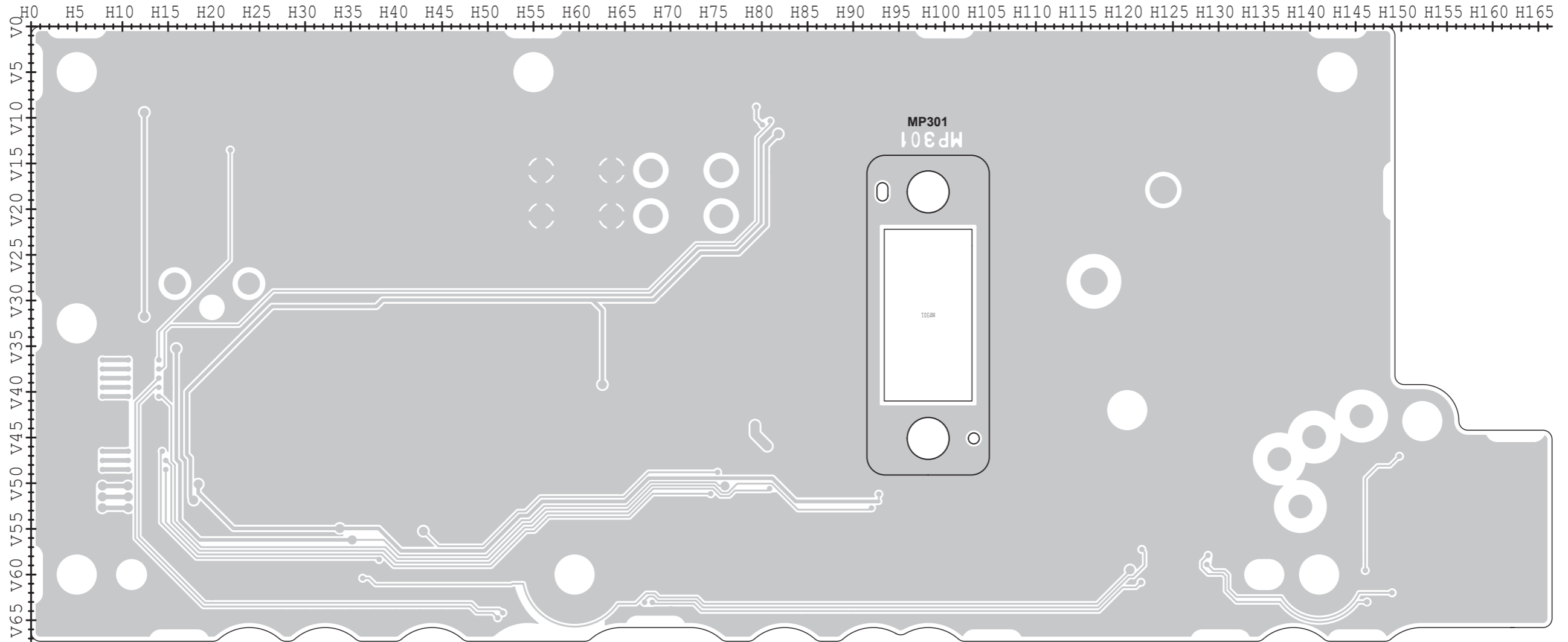
**NOTE:** Some parts may not be mounted on the PCB, depending on the transceiver version.  
 Refer to the PARTS LIST for the mounted parts.  
 The scale along the PCB indicates the corresponding "H/V LOCATION" on the parts list.

• RF-TX UNIT (B-9075C: Top view)



**NOTE:** Some parts may not be mounted on the PCB, depending on the transceiver version.  
 Refer to the PARTS LIST for the mounted parts.  
 The scale along the PCB indicates the corresponding "H/V LOCATION" on the parts list.

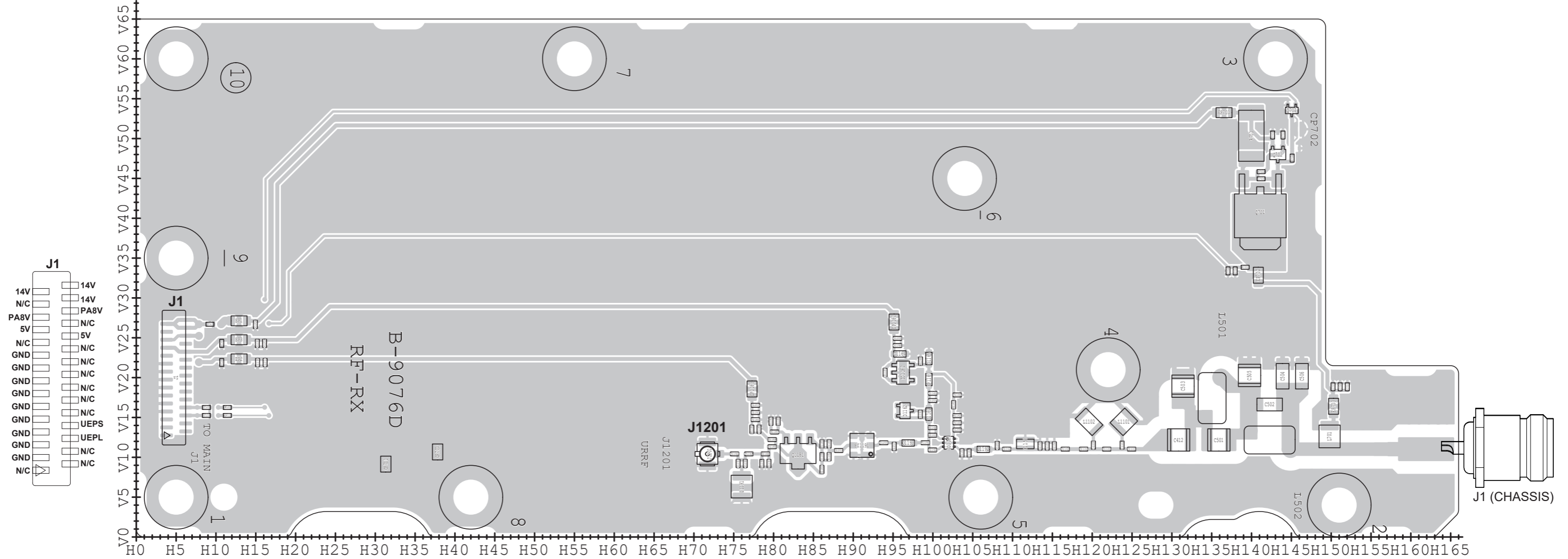
• RF-TX UNIT (B-9075C: Bottom view)



**NOTE:** Some parts may not be mounted on the PCB, depending on the transceiver version.  
 Refer to the PARTS LIST for the mounted parts.  
 The scale along the PCB indicates the corresponding "H/V LOCATION" on the parts list.

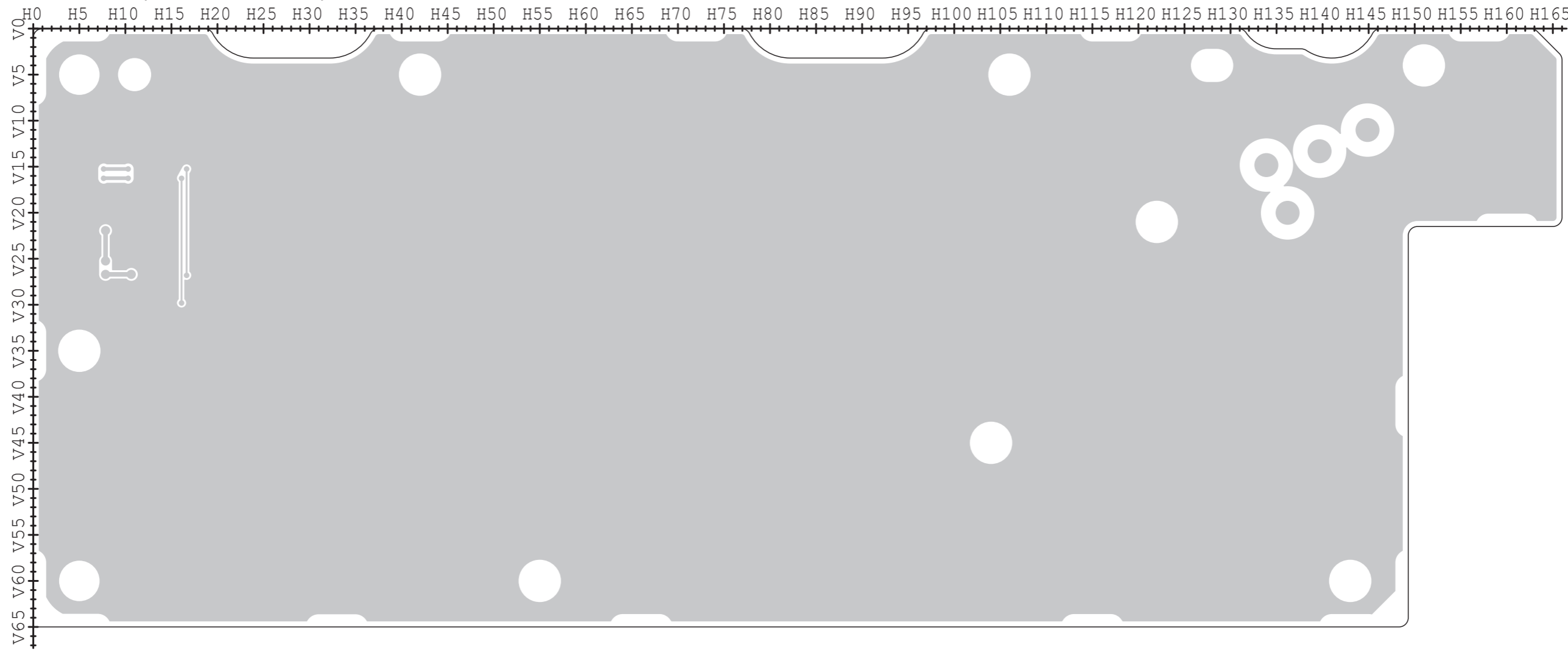


• RF-RX UNIT (B-9076D: Top view)



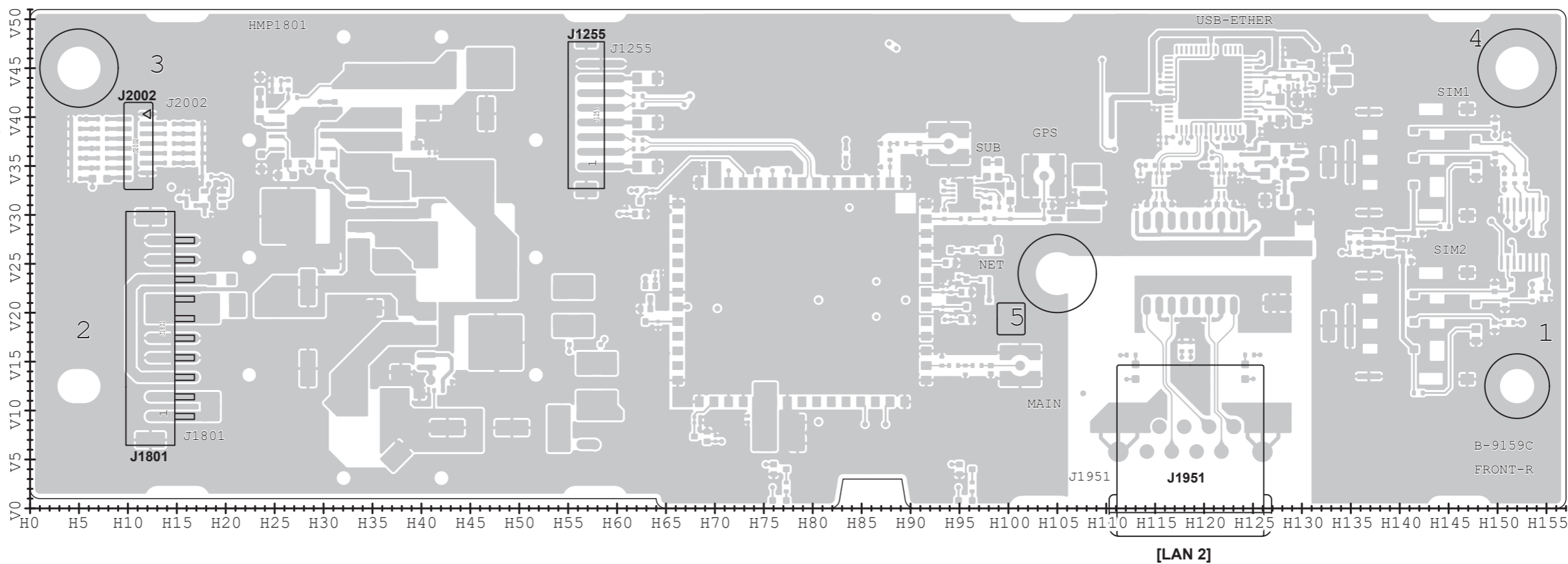
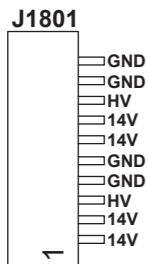
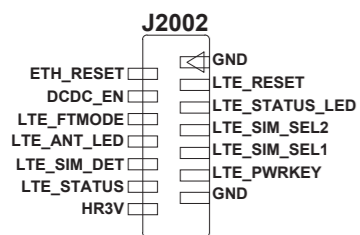
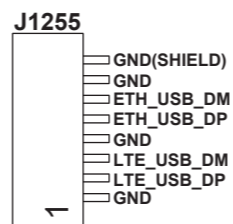
**NOTE:** Some parts may not be mounted on the PCB, depending on the transceiver version. Refer to the PARTS LIST for the mounted parts. The scale along the PCB indicates the corresponding "H/V LOCATION" on the parts list.

• RF-RX UNIT (B-9076D: Bottom view)



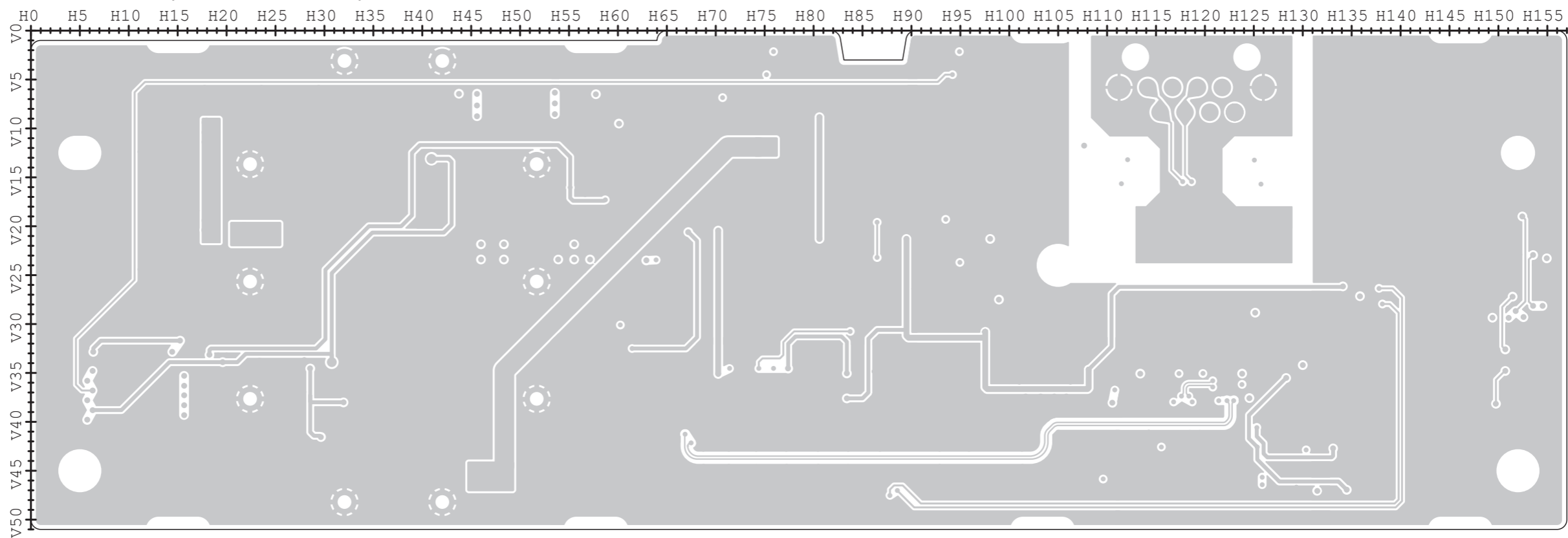
**NOTE:** Some parts may not be mounted on the PCB, depending on the transceiver version.  
 Refer to the PARTS LIST for the mounted parts.  
 The scale along the PCB indicates the corresponding "H/V LOCATION" on the parts list.

• FRONT-R UNIT (B-9159C: Top view)

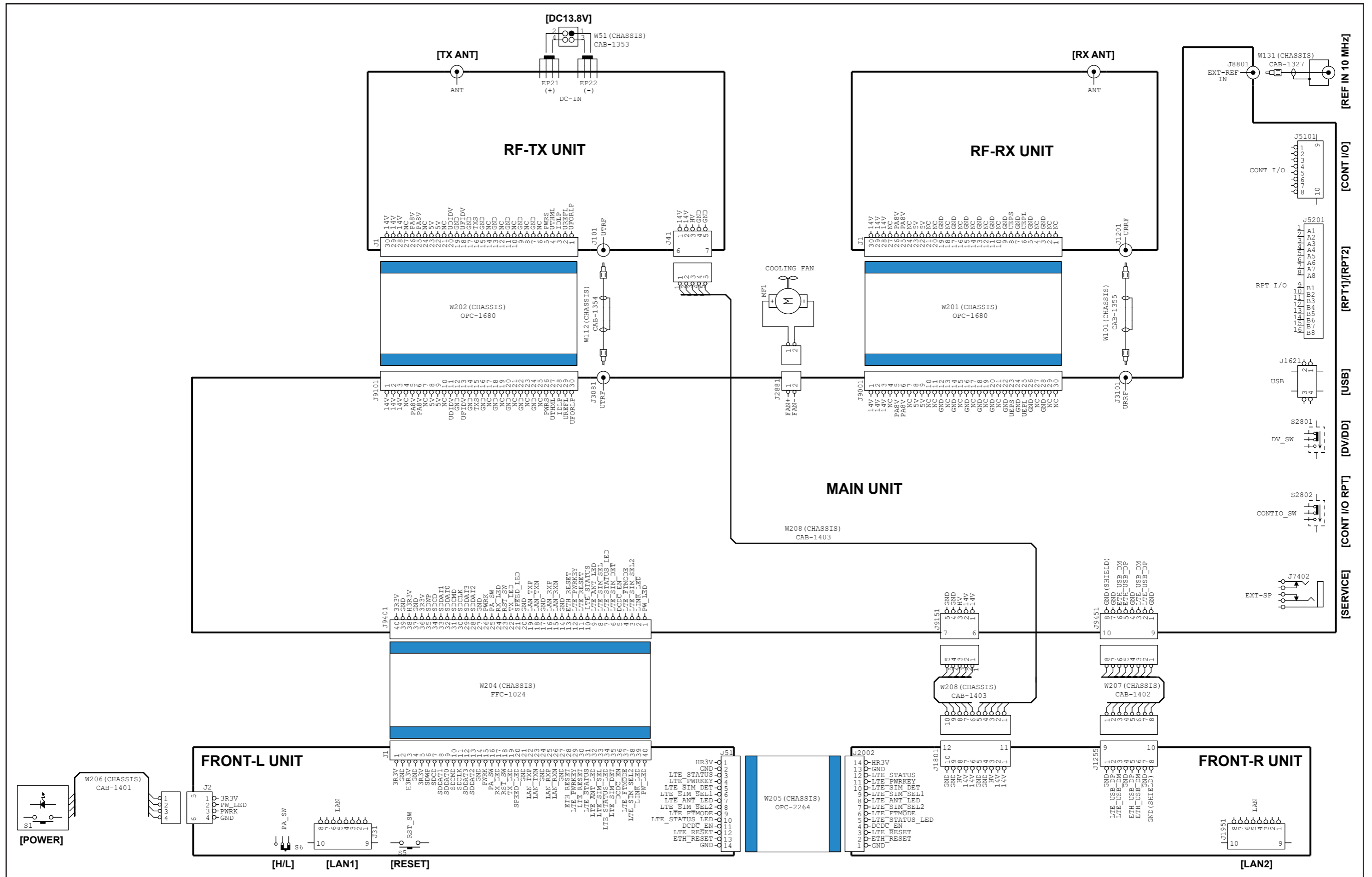


**NOTE:** Some parts may not be mounted on the PCB, depending on the transceiver version.  
Refer to the PARTS LIST for the mounted parts.  
The scale along the PCB indicates the corresponding "H/V LOCATION" on the parts list.

• FRONT-R UNIT (B-9159C: Bottom view)

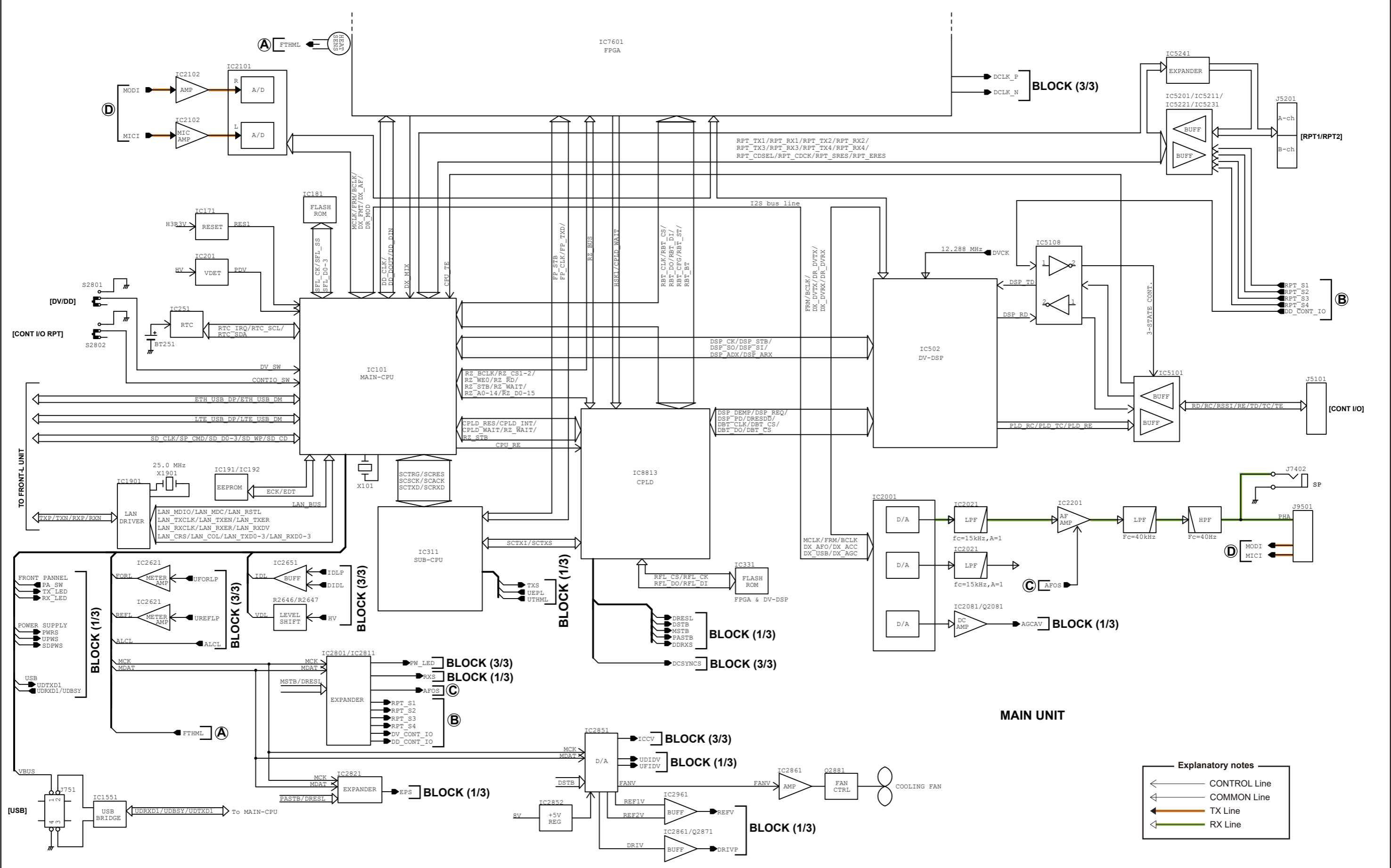


**NOTE:** Some parts may not be mounted on the PCB, depending on the transceiver version.  
 Refer to the PARTS LIST for the mounted parts.  
 The scale along the PCB indicates the corresponding "H/V LOCATION" on the parts list.





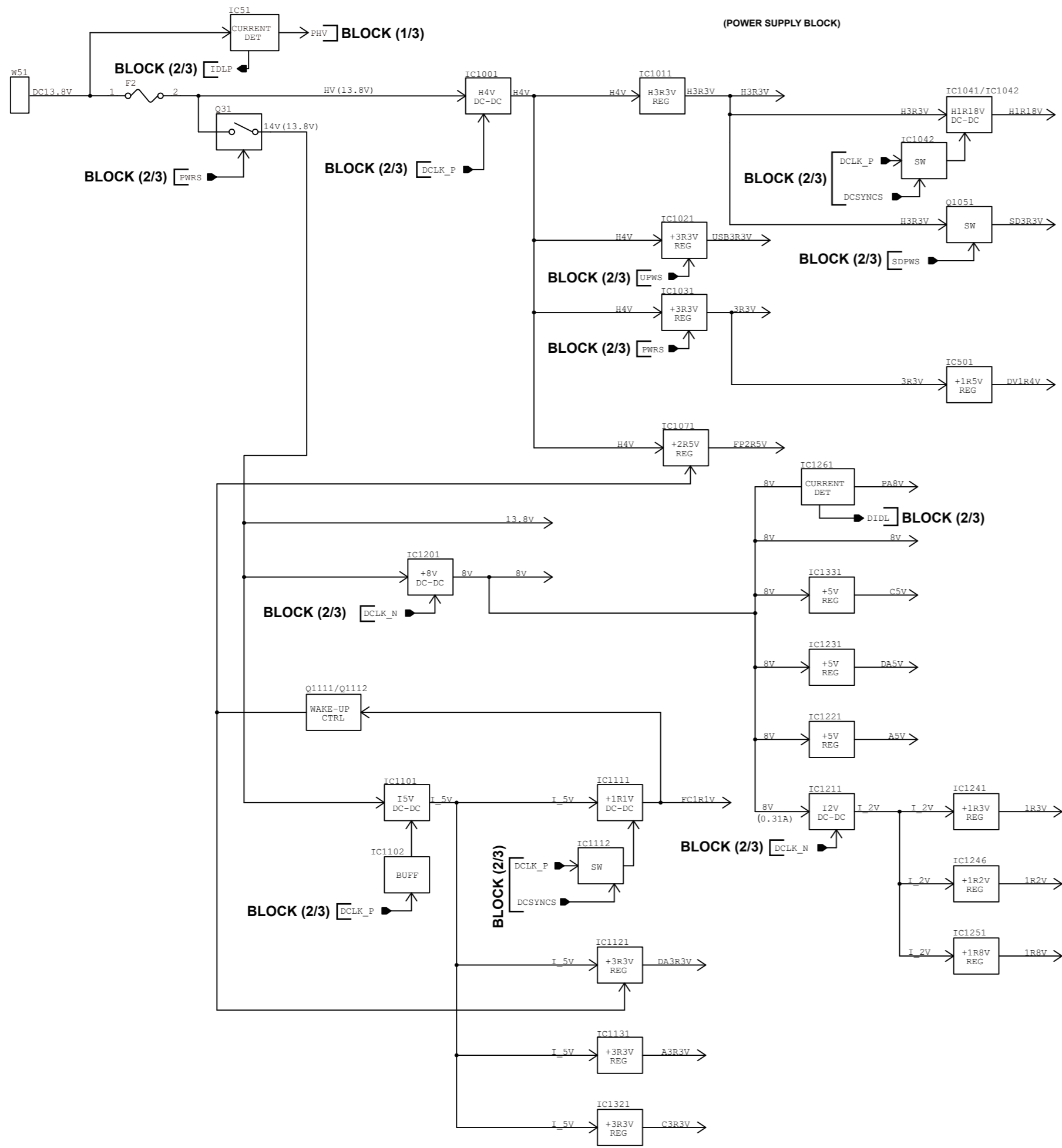
**MAIN UNIT**



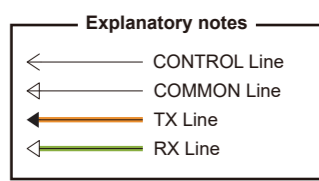
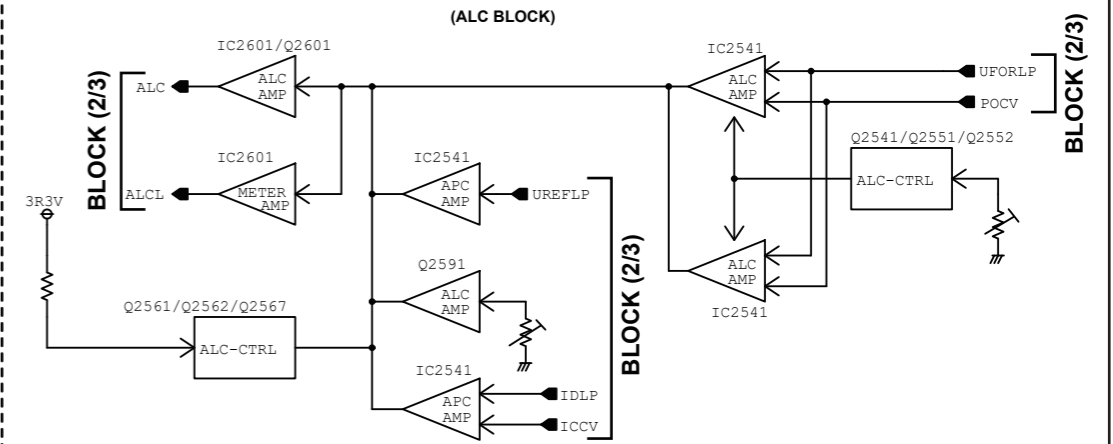
**Explanatory notes**

- CONTROL Line
- COMMON Line
- TX Line
- RX Line

MAIN UNIT



MAIN UNIT

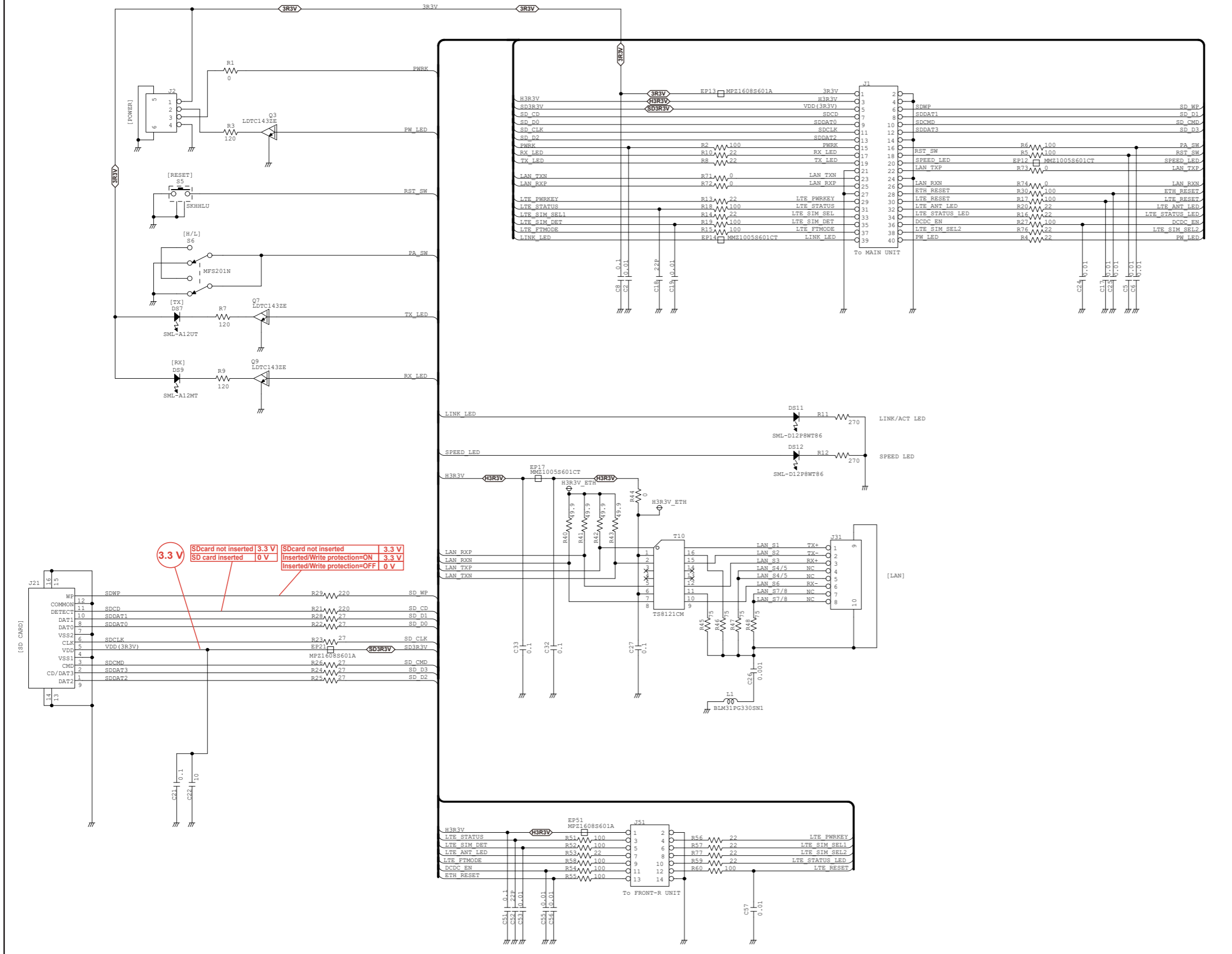




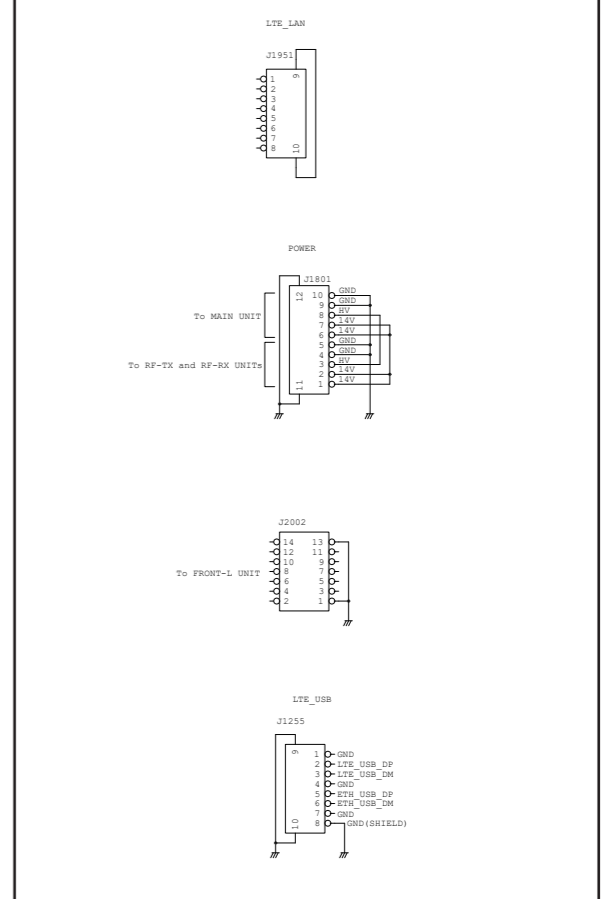
# SECTION 12

# VOLTAGE DIAGRAM

## • FRONT-L UNIT

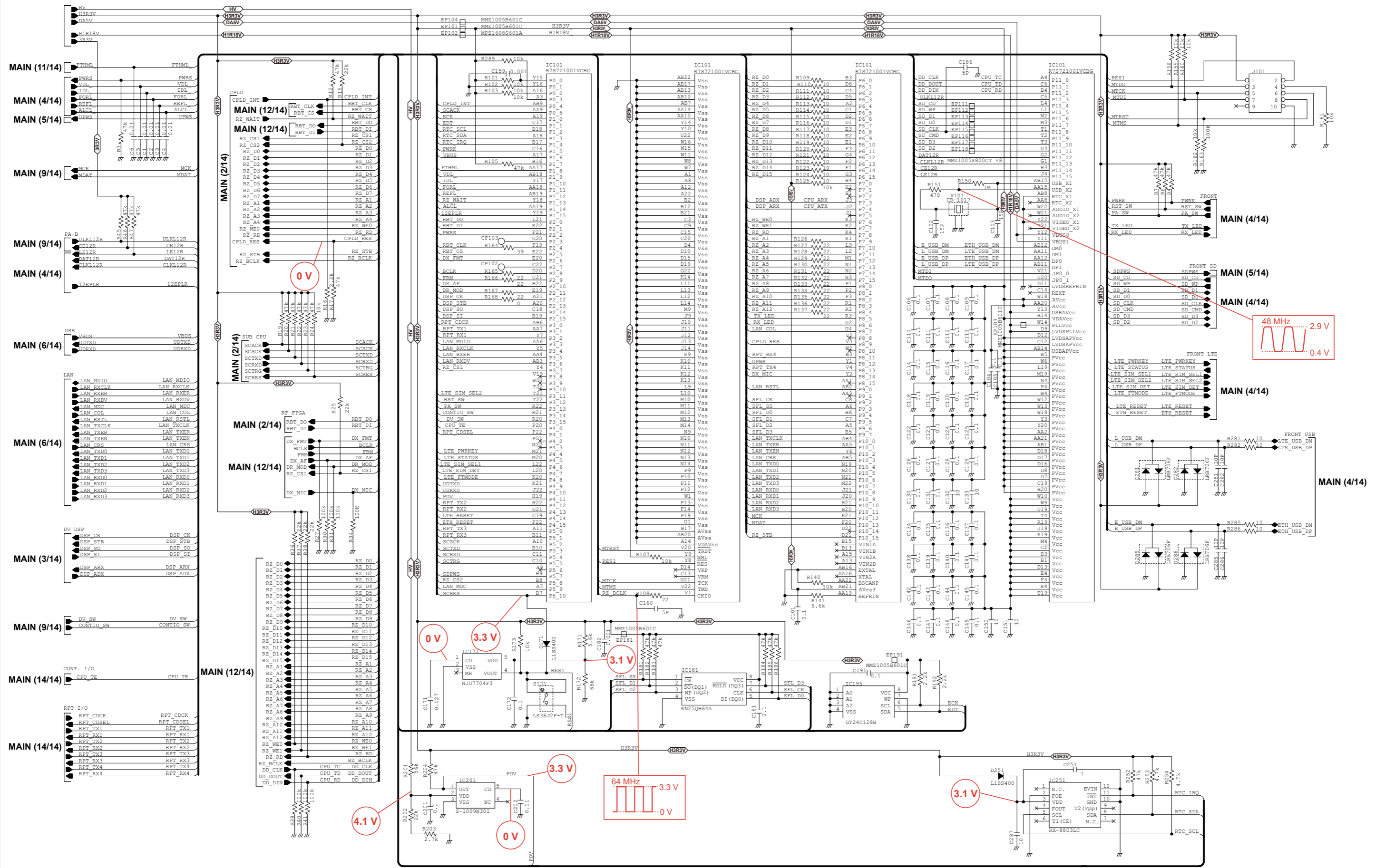


## • FRONT-R UNIT



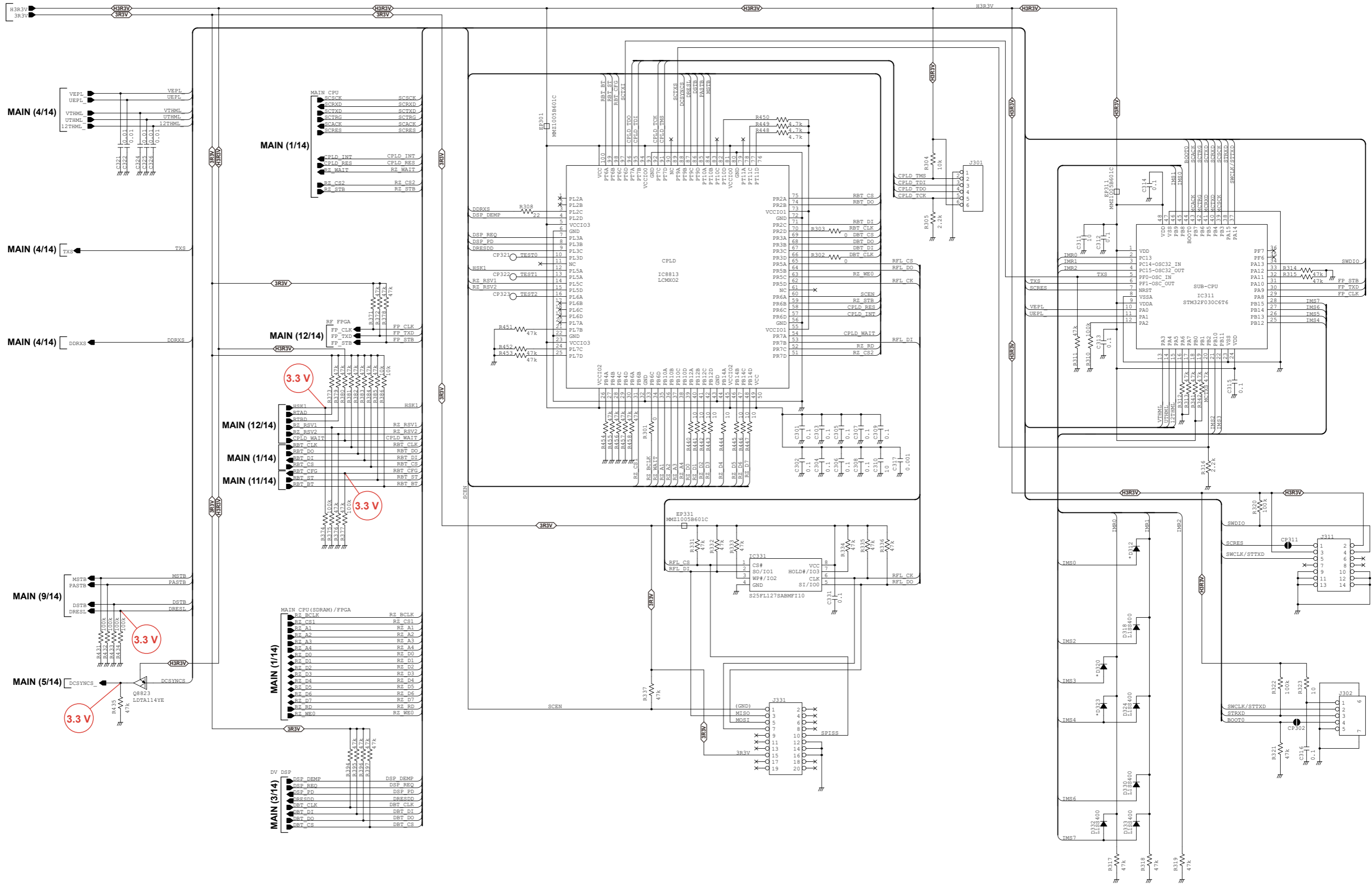
\*Refer to the PARTS LIST for the value and name of component.

• MAIN UNIT (1/14)



\*Refer to the PARTS LIST for the value and name of component.

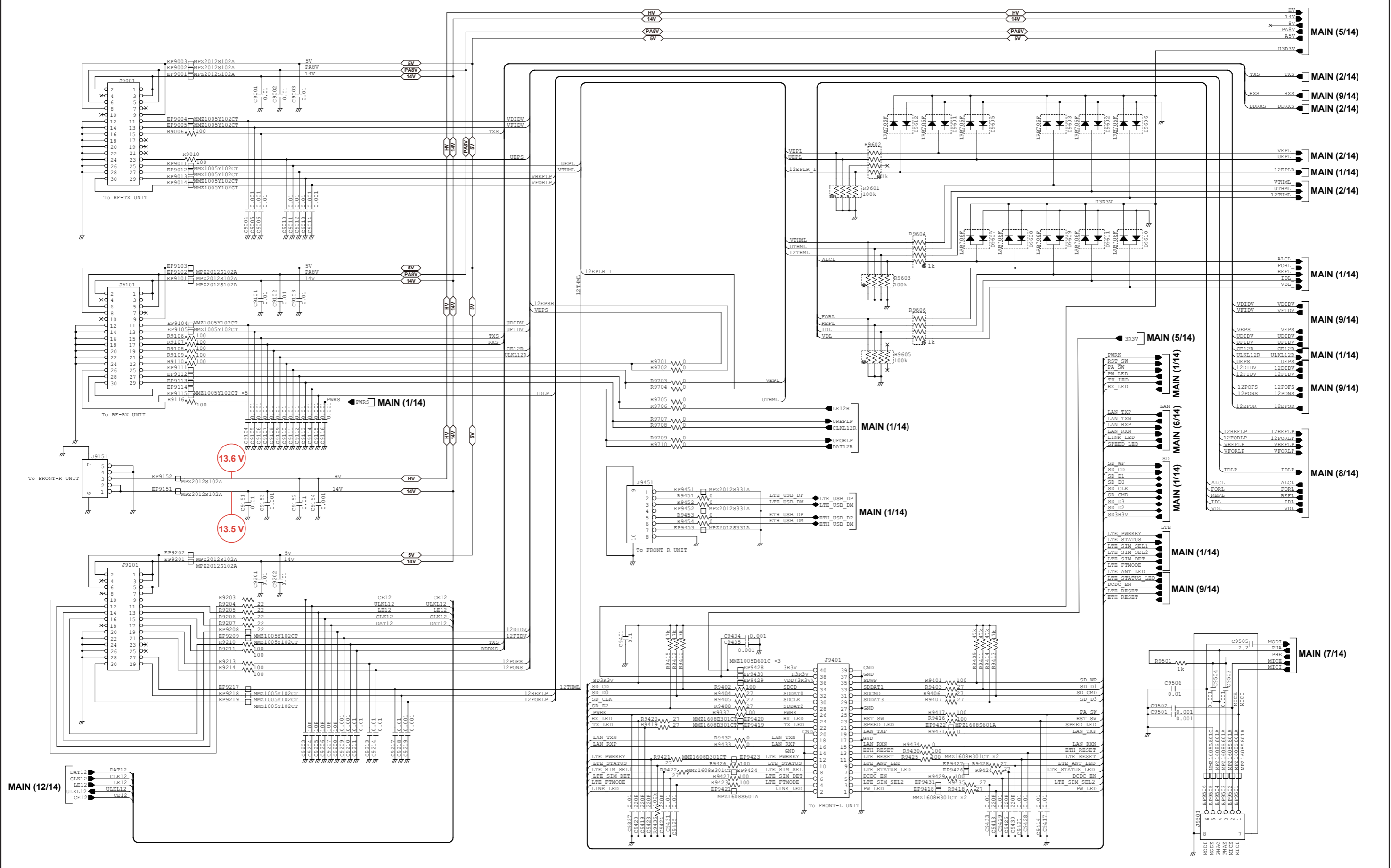
• MAIN UNIT (2/14)



\*Refer to the PARTS LIST for the value and name of component.

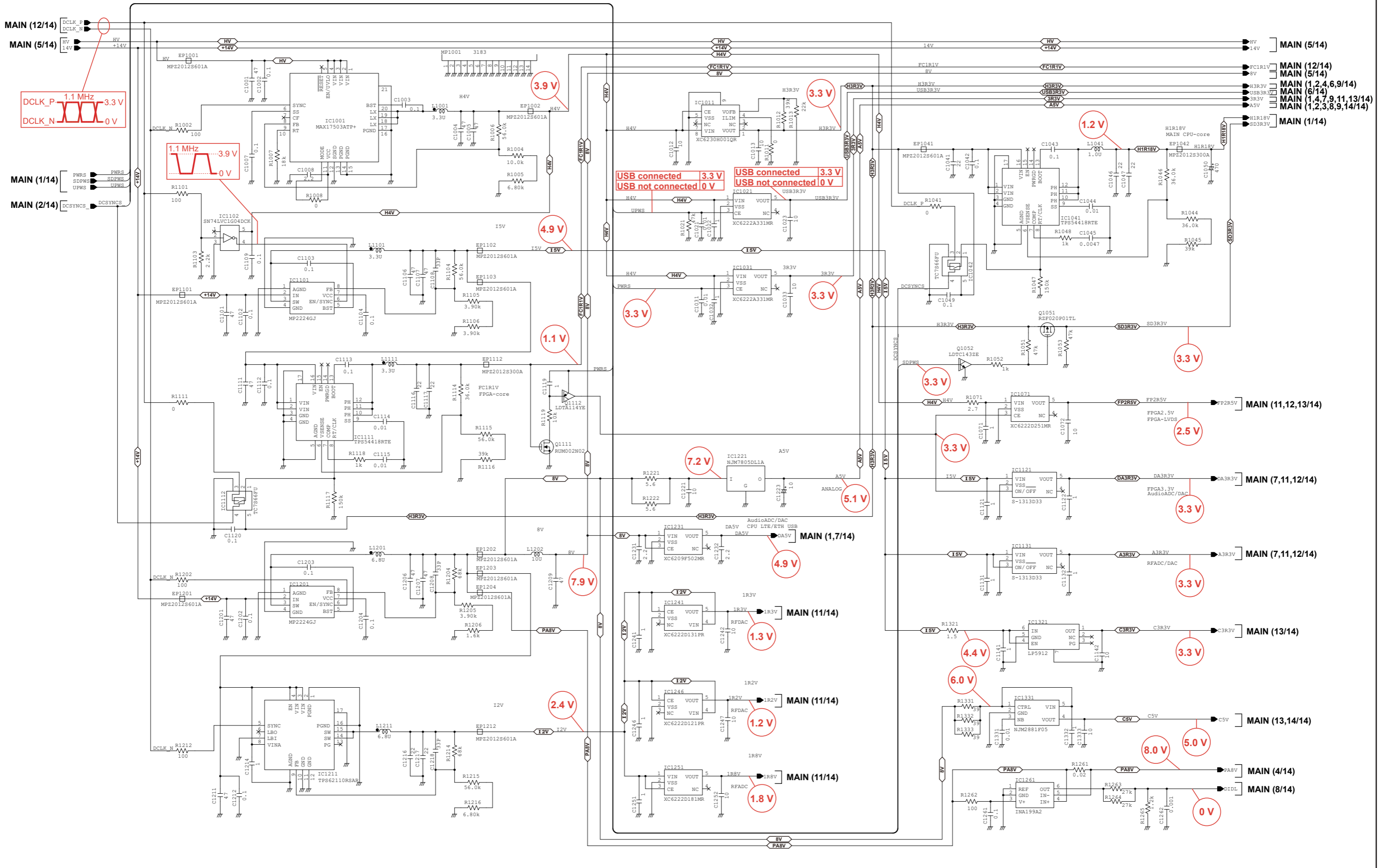


• MAIN UNIT (4/14)



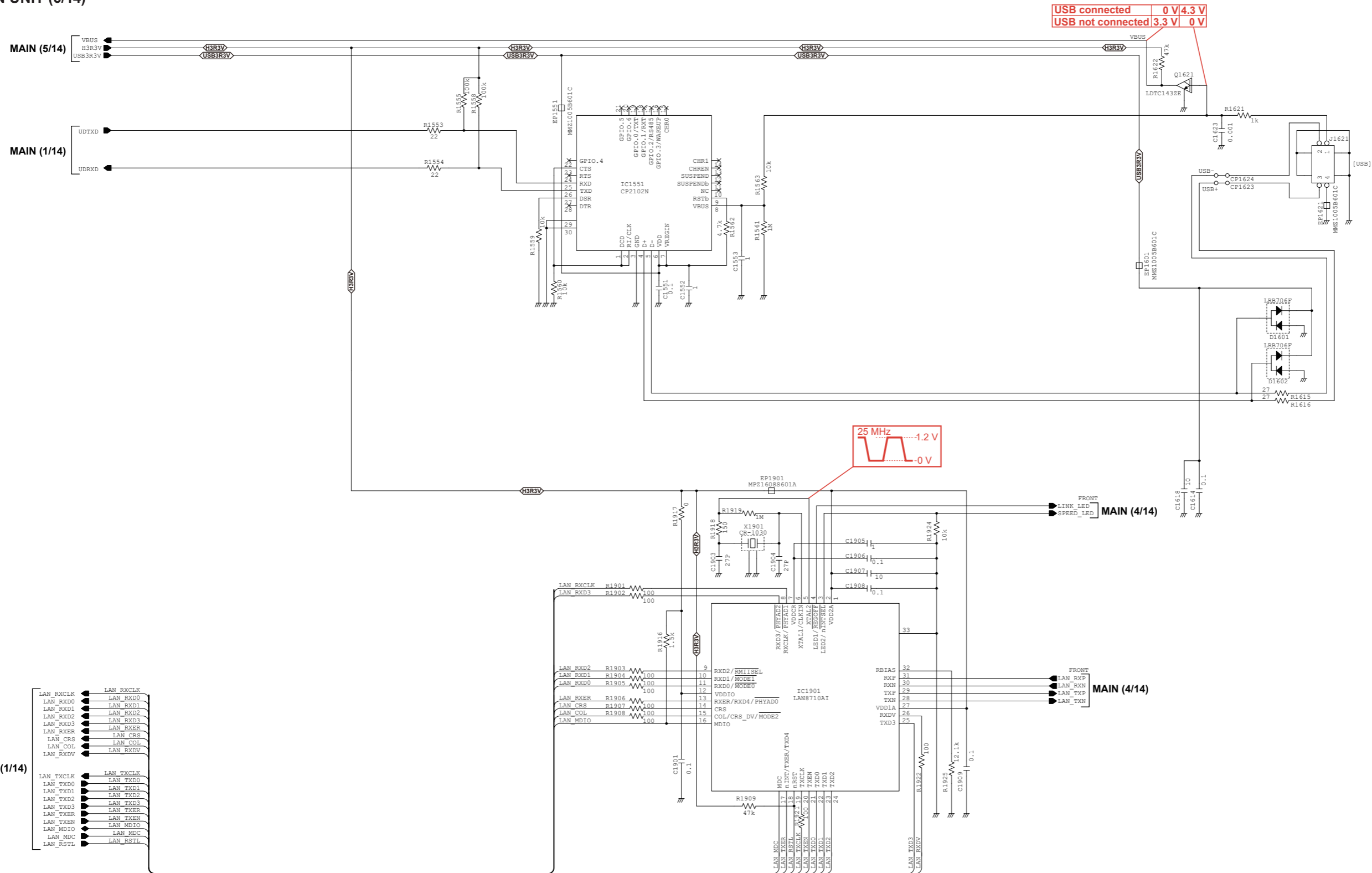
\*Refer to the PARTS LIST for the value and name of component.

• MAIN UNIT (5/14)



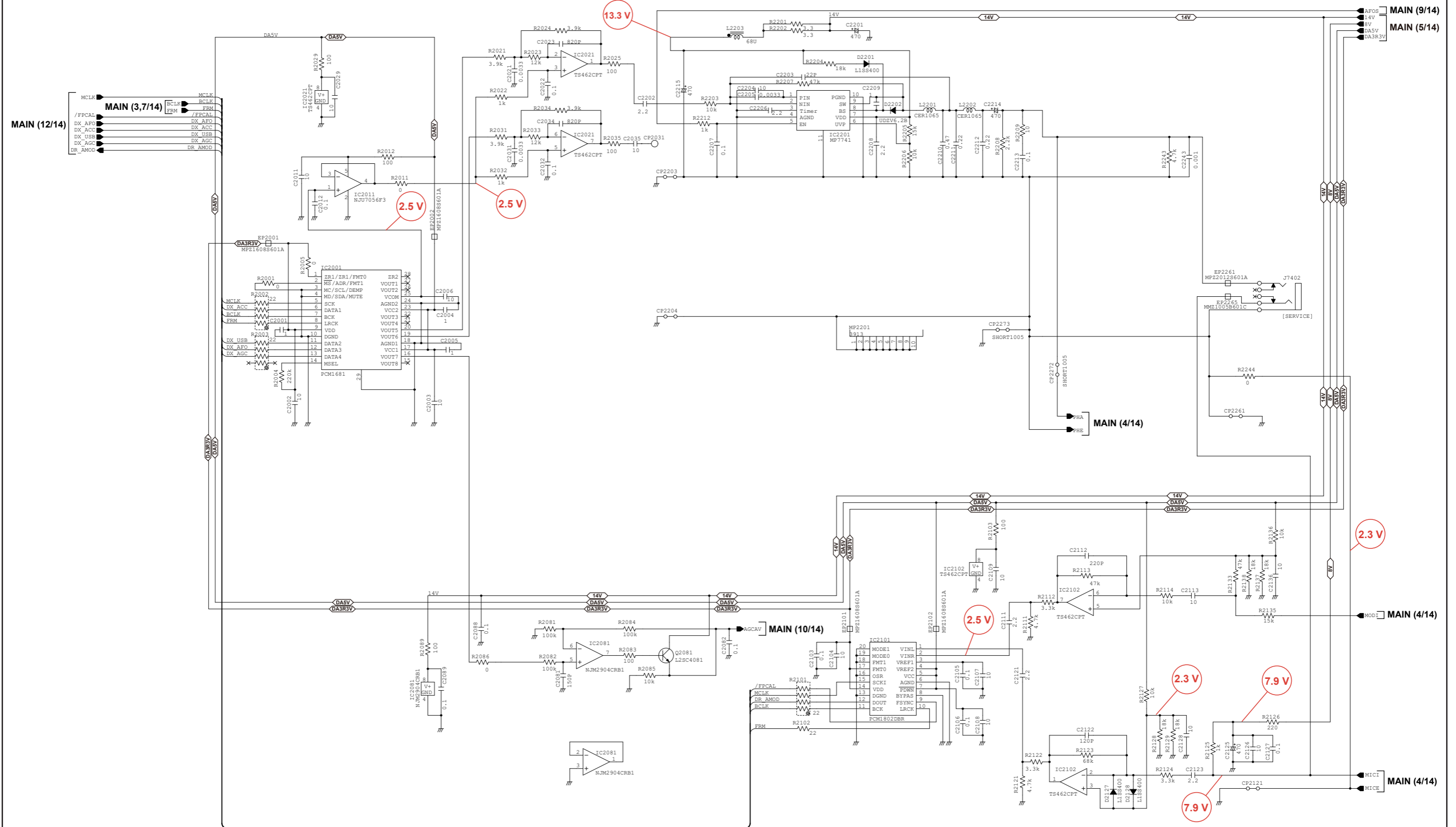
\*Refer to the PARTS LIST for the value and name of component.

• MAIN UNIT (6/14)



\*Refer to the PARTS LIST for the value and name of component.

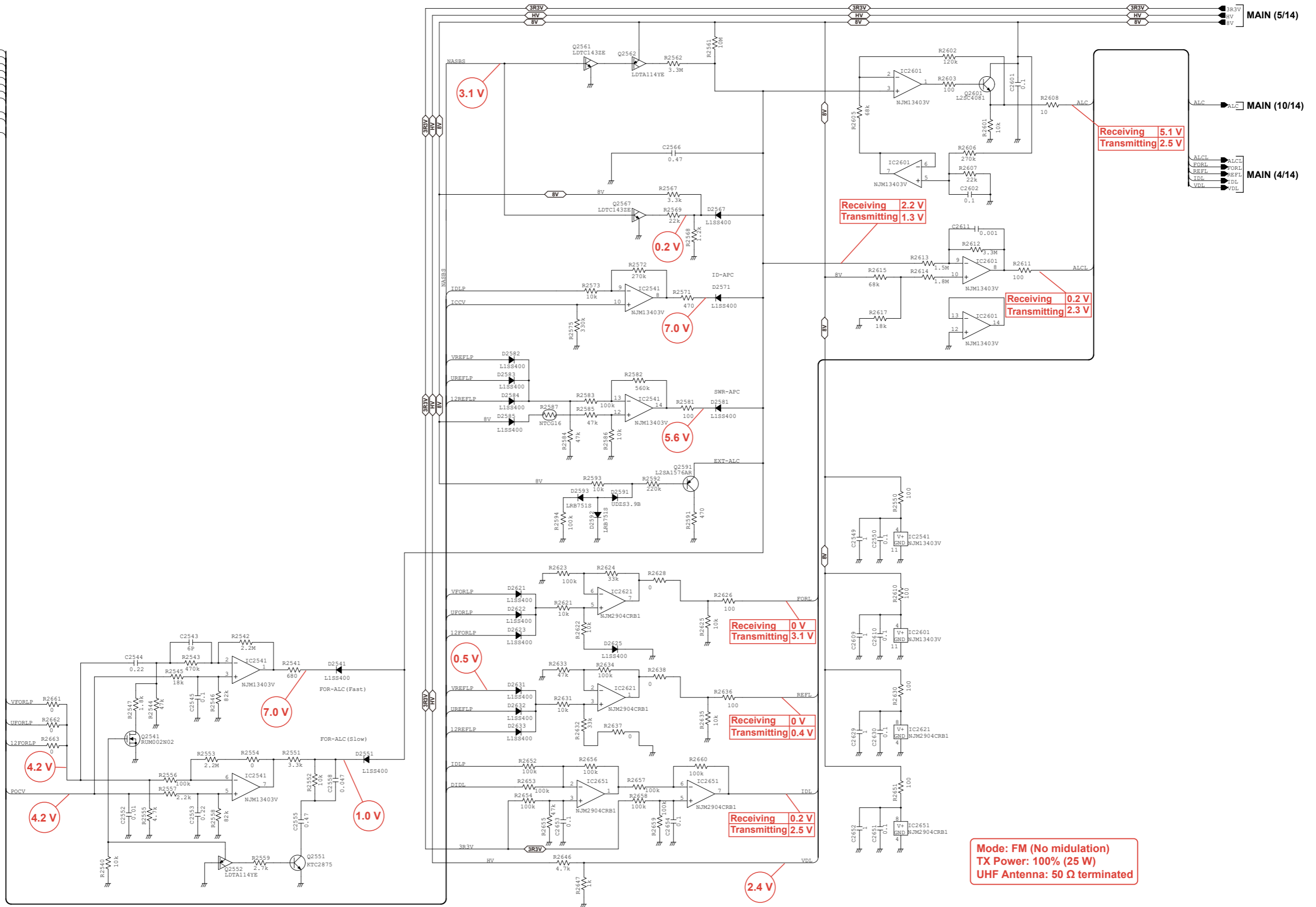
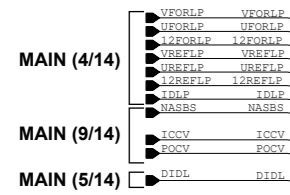
• MAIN UNIT (7/14)



\*Refer to the PARTS LIST for the value and name of component.



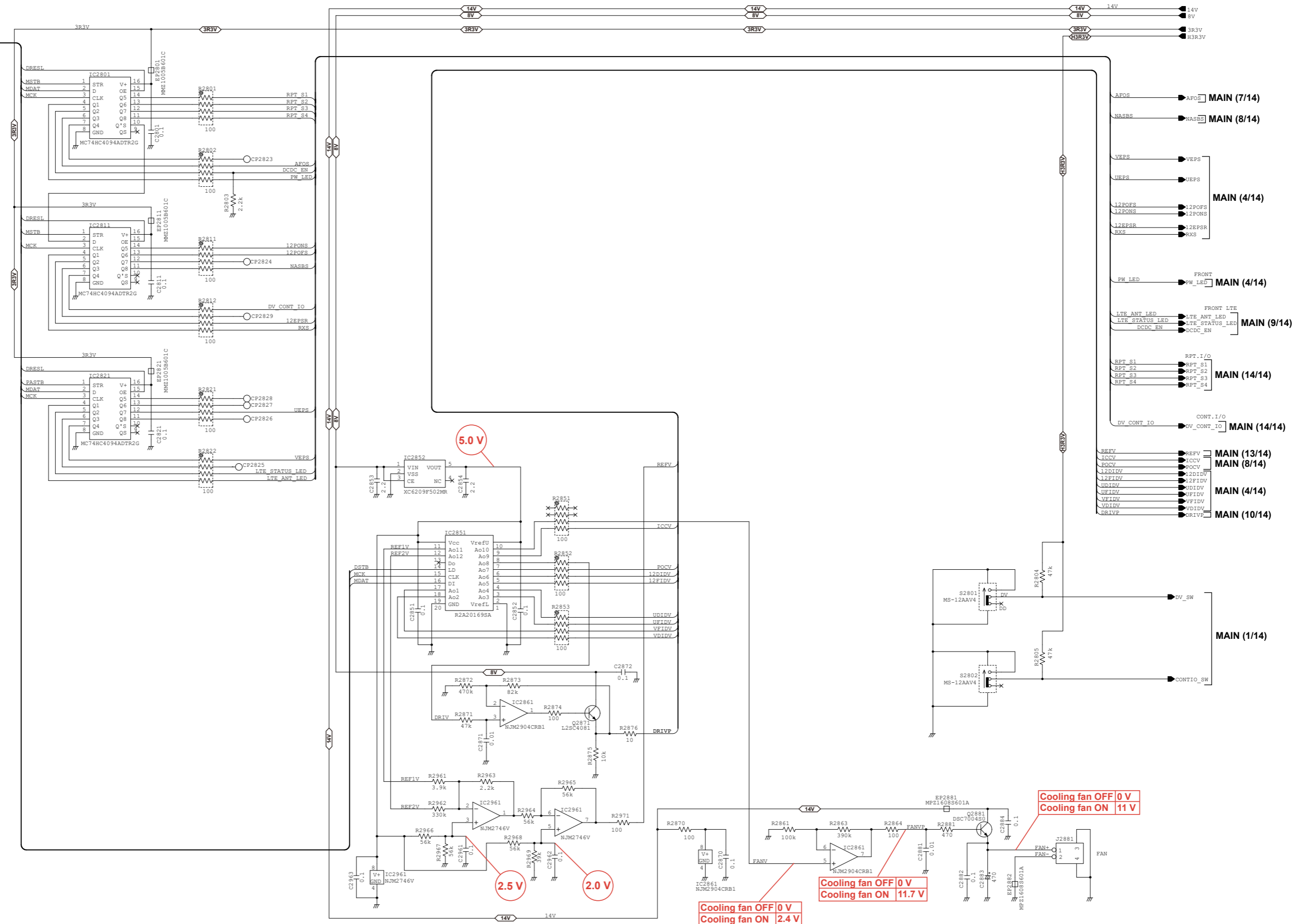
• MAIN UNIT (8/14)



\*Refer to the PARTS LIST for the value and name of component.

• MAIN UNIT (9/14)

- MAIN (2/14) DRES1
- MAIN (1/14) MSTAT
- MAIN (2/14) MCK
- MAIN (1/14) DSTR
- MAIN (2/14) MSTB
- MAIN (1/14) PASTB



- MAIN (7/14) AFOS
- MAIN (8/14) NASBS
- MAIN (4/14) VEPS
- MAIN (4/14) UEPS
- MAIN (4/14) 12POFS
- MAIN (4/14) 12PONS
- MAIN (4/14) 12EFSR
- MAIN (4/14) RKS
- MAIN (4/14) FRONT PW\_LED
- MAIN (9/14) FRONT LTE LTR\_STATUS\_LED
- MAIN (9/14) FRONT LTE LTR\_ANT\_LED
- MAIN (9/14) DCDC\_EN
- MAIN (14/14) RPT\_S1
- MAIN (14/14) RPT\_S2
- MAIN (14/14) RPT\_S3
- MAIN (14/14) RPT\_S4
- MAIN (14/14) DV\_CONT\_IO
- MAIN (13/14) REFV
- MAIN (8/14) ICCV
- MAIN (8/14) POCV
- MAIN (4/14) 12DIDV
- MAIN (4/14) 12FIDV
- MAIN (4/14) UIDIV
- MAIN (4/14) VIDIV
- MAIN (10/14) DRIVP

Cooling fan OFF 0 V  
Cooling fan ON 11 V

Cooling fan OFF 0 V  
Cooling fan ON 11.7 V

Cooling fan OFF 0 V  
Cooling fan ON 2.4 V

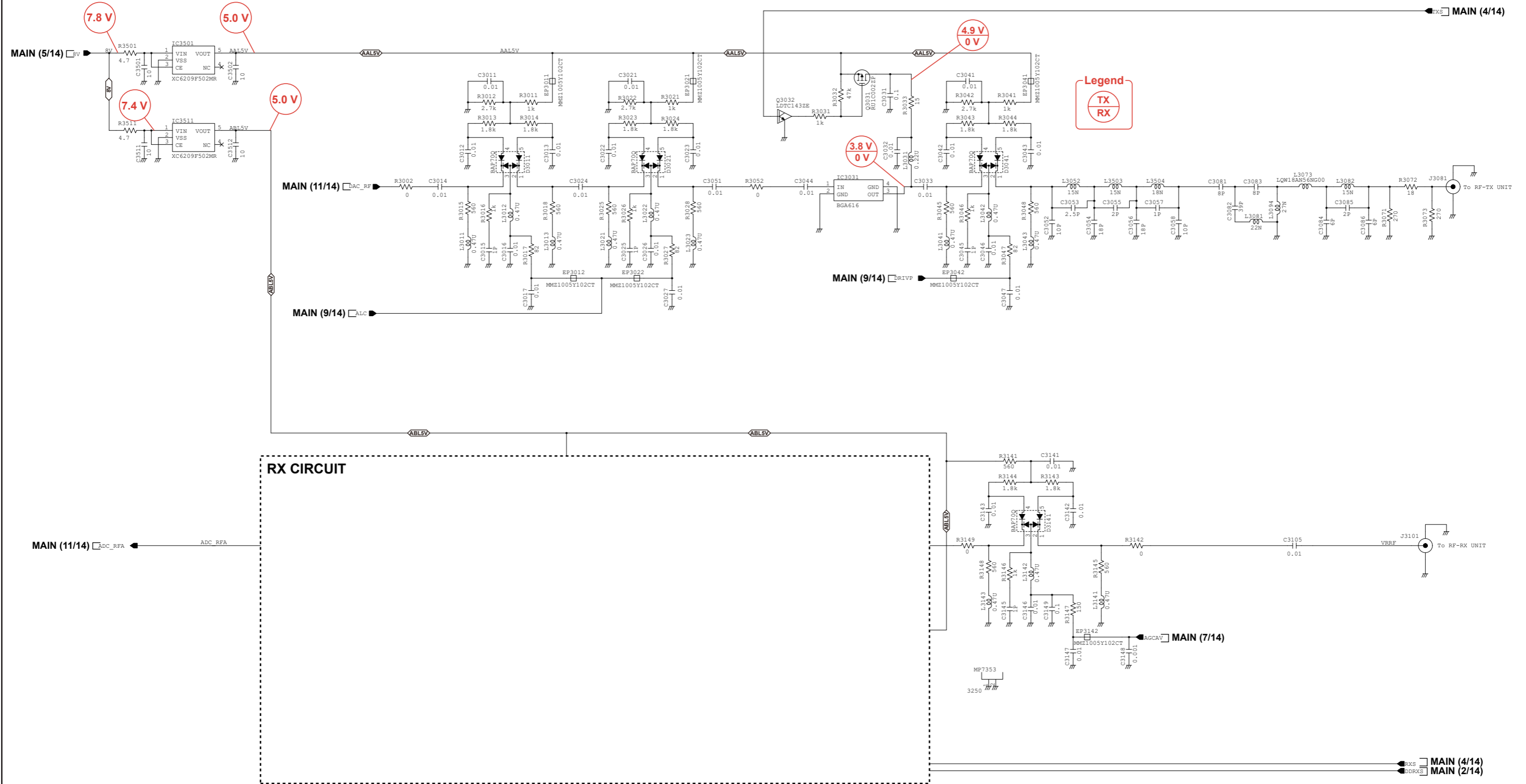
2.5 V

2.0 V

5.0 V

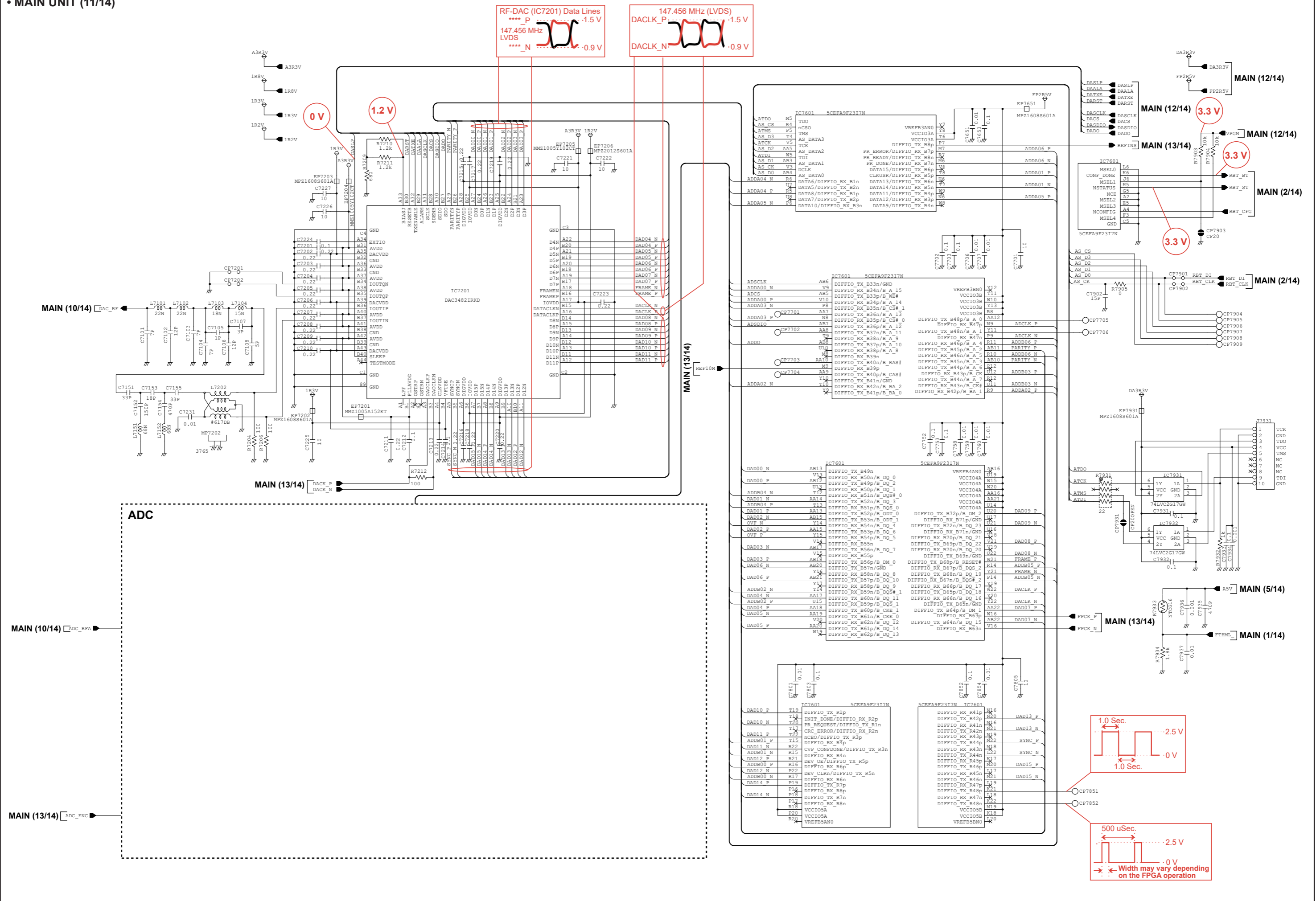
\*Refer to the PARTS LIST for the value and name of component.

• MAIN UNIT (10/14)



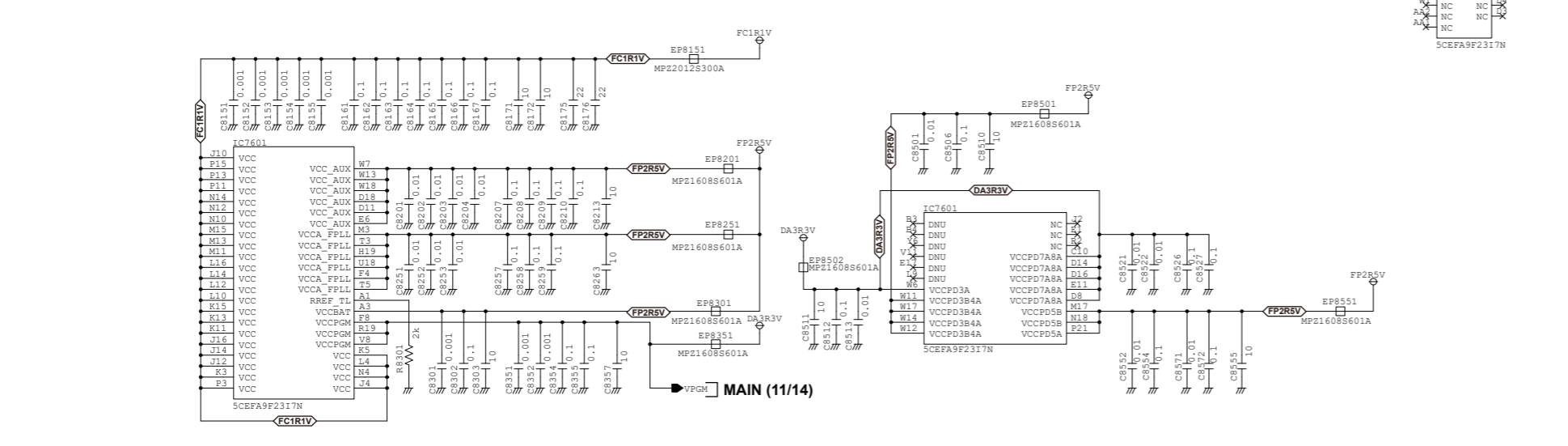
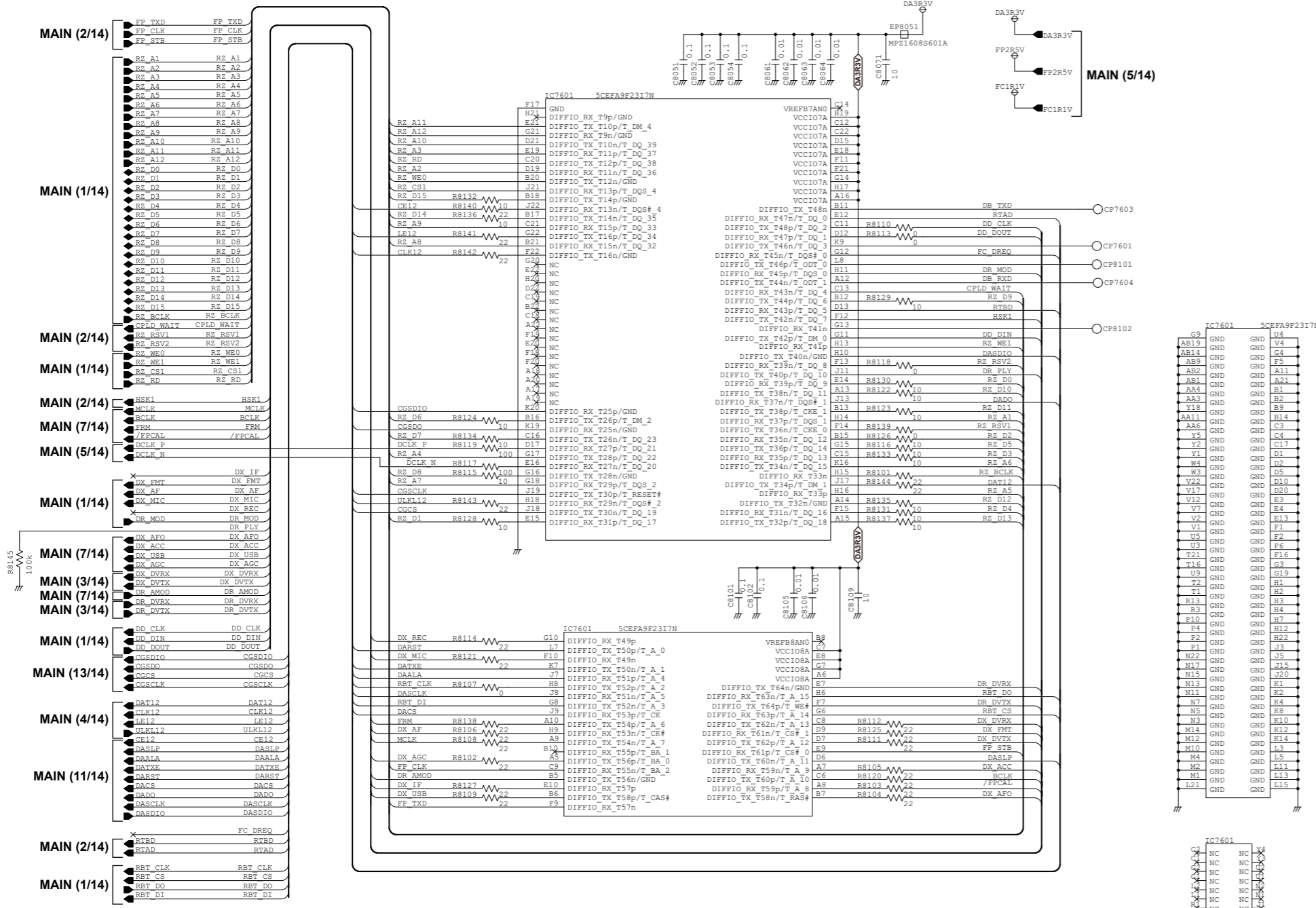
\*Refer to the PARTS LIST for the value and name of component.

• MAIN UNIT (11/14)



\*Refer to the PARTS LIST for the value and name of component.

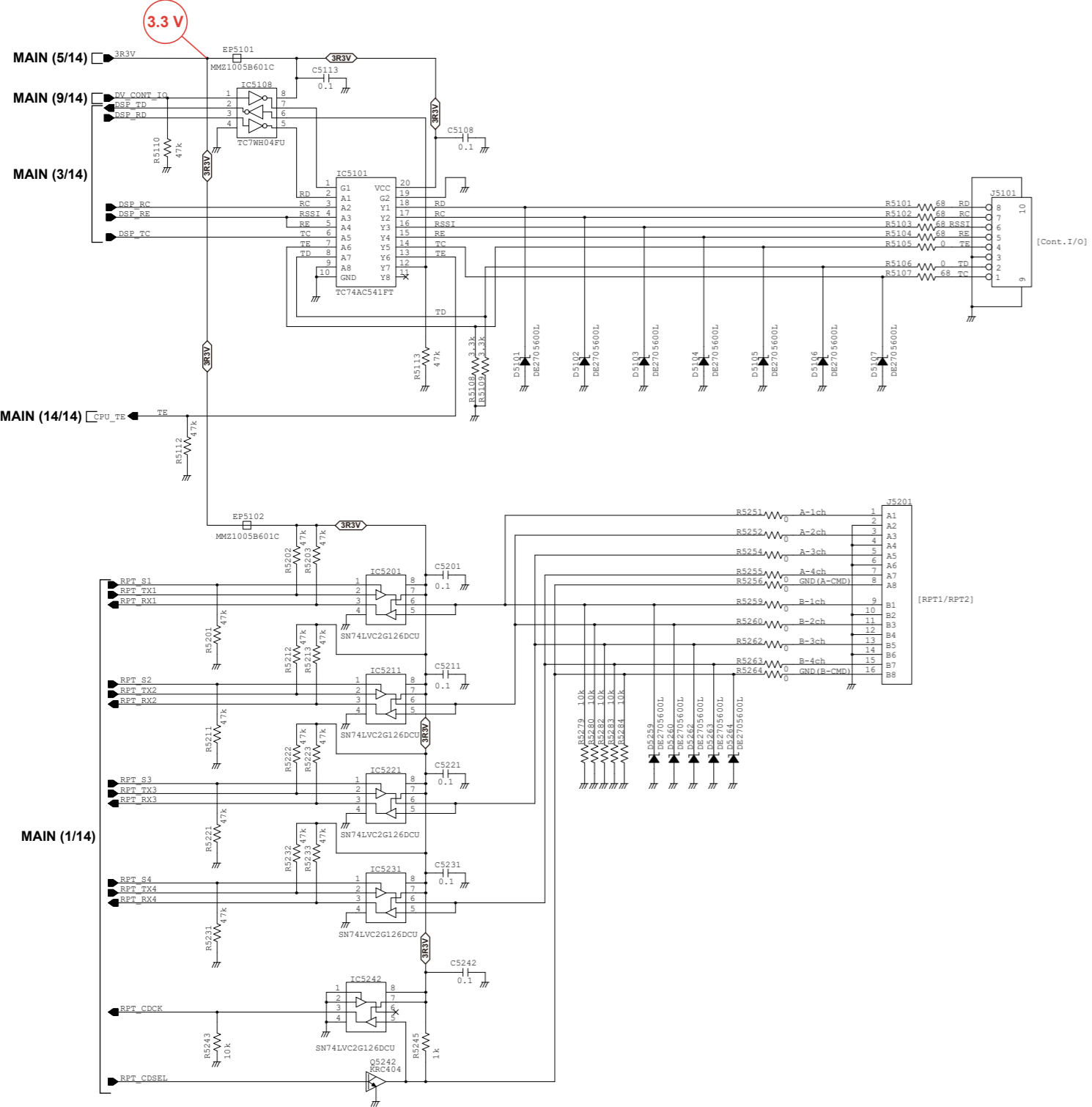
• MAIN UNIT (12/14)



\*Refer to the PARTS LIST for the value and name of component.

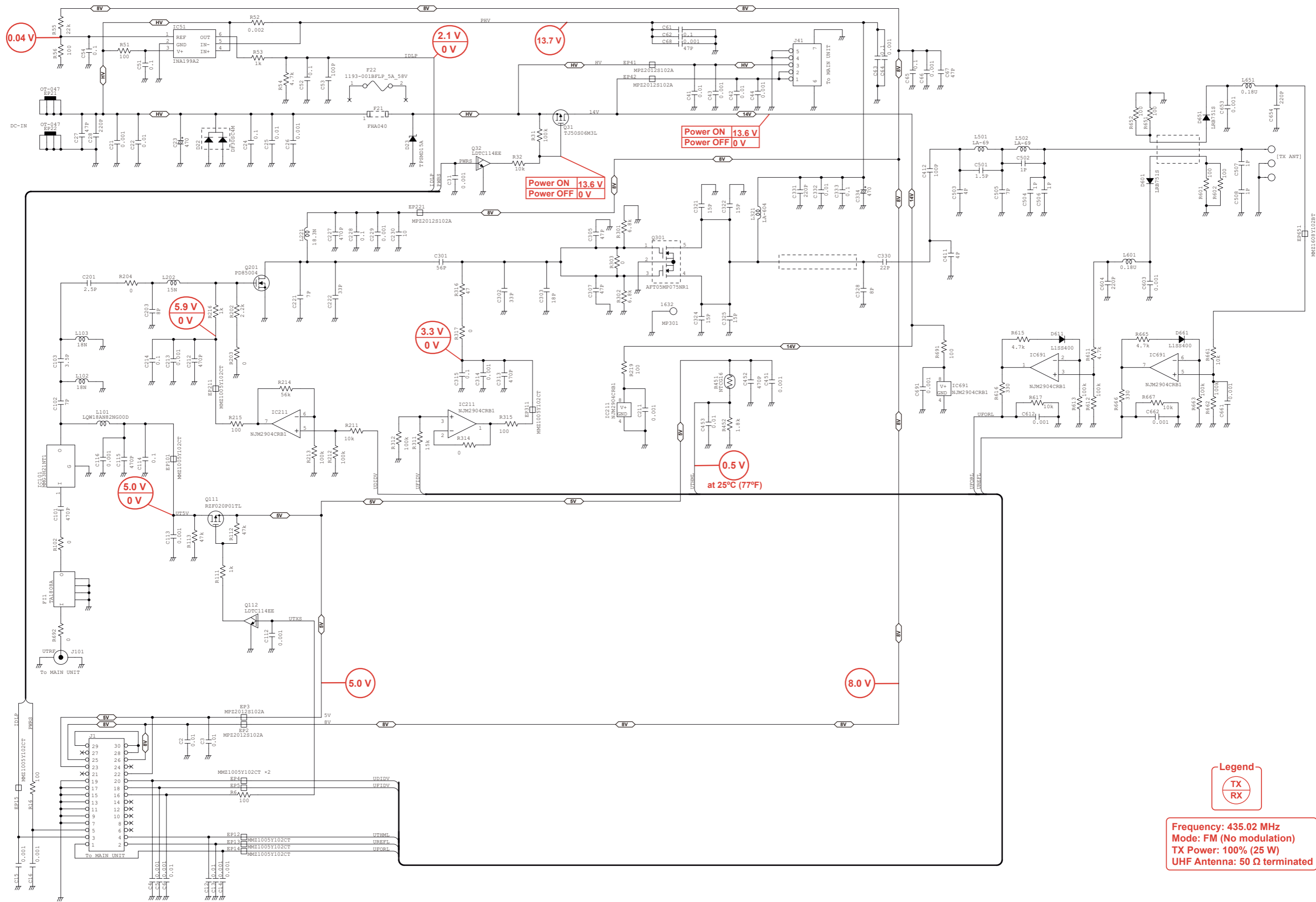


• MAIN UNIT (14/14)



\*Refer to the PARTS LIST for the value and name of component.

• RF-TX UNIT

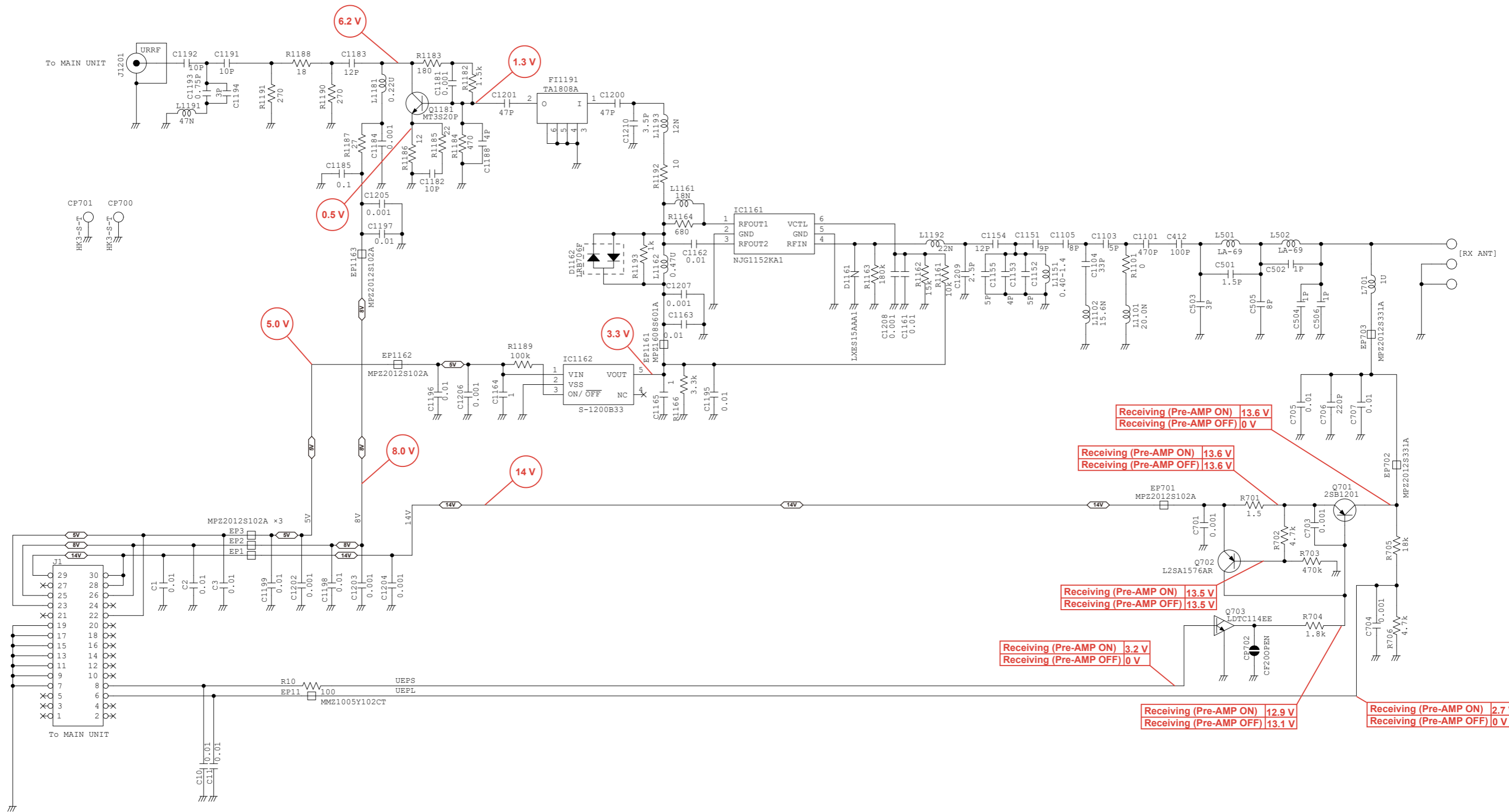


Frequency: 435.02 MHz  
 Mode: FM (No modulation)  
 TX Power: 100% (25 W)  
 UHF Antenna: 50 Ω terminated

\*Refer to the PARTS LIST for the value and name of component.



• RF-RX UNIT



\*Refer to the PARTS LIST for the value and name of component.

If you have any inquiries regarding service, contact your distributor. The contact number or E-mail address of your distributor can be found on our website.

<https://www.icomjapan.com/>

